

## Contact Details

Before using the product, please check the guide pages at the front of this catalog.

Internet

<http://www.daikinpmc.com/en/>

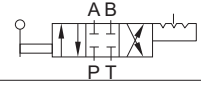
For latest information, PDF catalogs and operation manuals

# Rotary Directional Control Valve

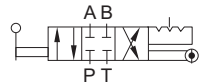


JIS graphic symbols for hydraulic system

Manually operated type



Cam operated type



## Features

- These are compact directional control valves using a rotary spool available in two models, one dedicated to manual operation and the other with a dog for cam operation (manual operation also possible).
- The structure has a high level of pressure balance, which suppresses the variation in the force required to operate the handle according to the pressure change.

## Nomenclature

※ - **DRO** ※ **4** - **3 T 02** - **2 N**

1      2      3      4      5      6      7      8      9

### 1 Applicable fluid code

No designation: Petroleum-based hydraulic fluid, water-glycol hydraulic fluid  
F: Phosphate ester hydraulic fluid

### 2 Basic method

DRO: D series rotary directional control valve

### 3 Connection method

B: With dog for cam operation  
H: Manually operated type (without dog)

### 4 Number of directions

4: 4-way valve

### 5 Number of positions

3: 3-position valve

### 6 Connections

T: Screw connection type

### 7 Nominal diameter

02: 1/4

### 8 Spool type

2: All ports blocked

### 9 Spool operating method

N: No-spring type (with detent)

## Specifications

Model code	Nominal diameter	Maximum operating pressure MPa {kgf/cm <sup>2</sup> }	Maximum flow rate L/min	Permissible back pressure MPa {kgf/cm <sup>2</sup> }	Mass kg
DRO※4	1/4	7 {70}	11.5	0.5 {5}	1.2

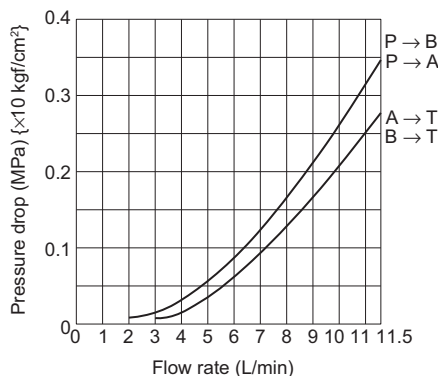
## Handling

### • Dead angle

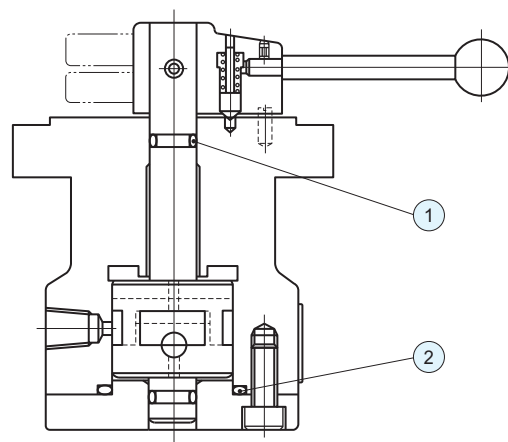
- From the neutral position to start of flow: 7°20'
- From the start of flow to the stroke end: 22°30' - 7°20' = 15°10'

## Performance curves (viscosity: 32 mm<sup>2</sup>/s {cSt})

Pressure drop characteristics



## Sectional structural diagram



### Sealing part table

Part No.	Name	Part specifications	Quantity
1	O-ring	JIS B 2401 1A P11	2
2	O-ring	JIS B 2401 1A P40	1

## Contact Details

Before using the product, please check the guide pages at the front of this catalog.

Internet

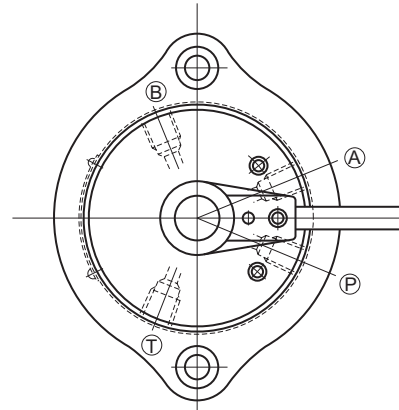
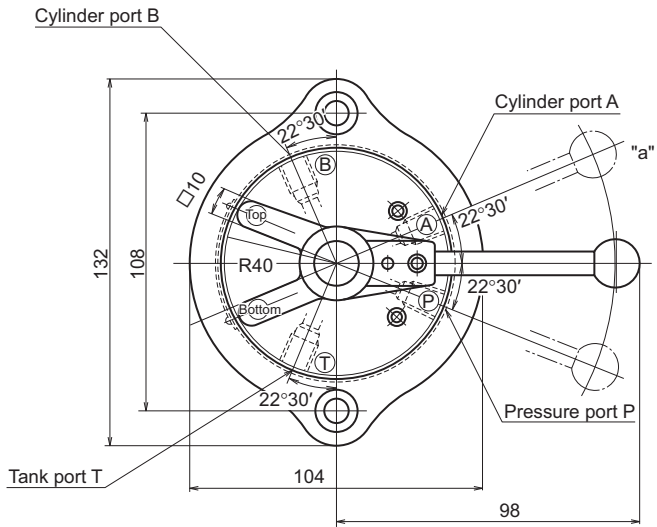
<http://www.daikinpmc.com/en/>

For latest information, PDF catalogs and operation manuals

## External dimension diagram

DROB4-3T02-2N (with dog)

DROH4-3T02-2N (without dog)



- The flow switches between P → A and B → T at handle position "a".

