

Contact Details

Before using the product, please check the guide pages at the front of this catalog.

Internet

<http://www.daikinpmc.com/en/>

For latest information, PDF catalogs and operation manuals

Manually Operated Valve



Features

- These directional control valves enable switching of the direction of fluid flow by operating the spool with the manual operation lever.
- Enables construction of a wide variety of circuits in combination with O2 size stack valves.

Nomenclature

※ - JM - G O2 - ※ ※ - 20 - ※

1 Applicable fluid code

No designation: Petroleum-based hydraulic fluid, water-glycol hydraulic fluid
 F: Phosphate ester hydraulic fluid

2 Model No.

JM: J series manually operated valve

3 Connections

G: Gasket mount type

4 Nominal diameter

O2: ¼

5 Spool type (See the model table)

6 Spool operating method (See the model table)

C: Spring center type
 B: Spring offset type
 N: No-spring type (with detent) 3-position valve
 E: No-spring type (with detent) 2-position valve

7 Design No. (The design No. is subject to change)

8 Option code

No designation: Lever at port A side
 G: Lever at port B side

Specifications

Model No.	Nominal diameter	Maximum operating pressure MPa {kgf/cm ² }	Maximum flow rate L/min	Permissible back pressure MPa {kgf/cm ² }	Mass kg
JM-G02	¼	21 {210}	30	7 {70}	1.4

Sub-plate model code

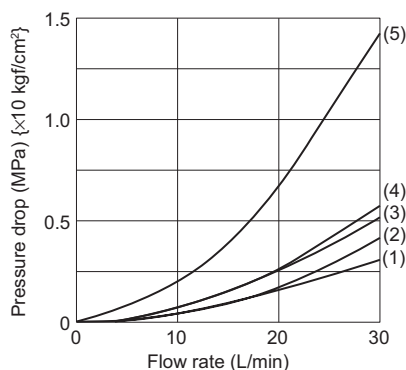
- The sub-plate is not provided with the valve. Order it separately if required by specifying the model code given in the table below.

Model code	Nominal diameter	Connection port diameter	Mass kg
JS-01M02	¼	Rc¼	0.64

Refer to Page S-8 for the dimensions of the sub-plate.

Performance curves (viscosity: 32 mm²/s {cSt})

Pressure drop characteristics



Accessories

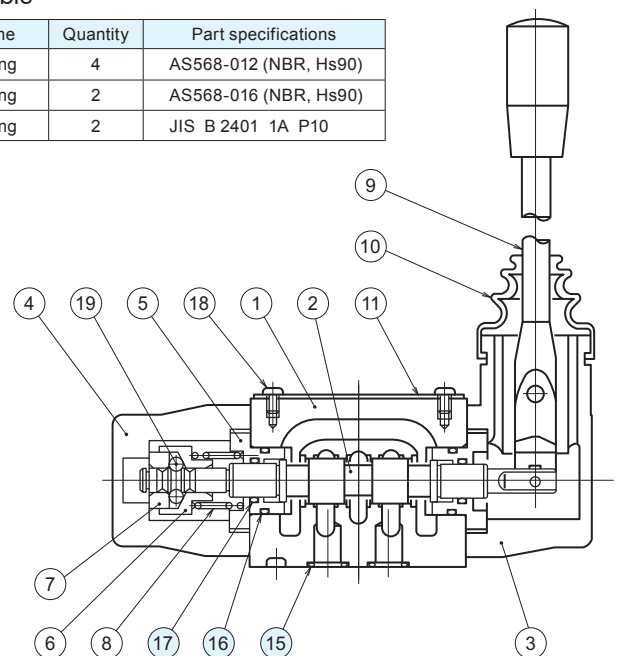
Hexagon socket head cap bolt	Quantity	Tightening torque N·m {kgf·cm}
M5 × 45	4	5 to 8 {50 to 80}

Sectional structural diagram

Sealing part table

Part No.	Name	Quantity	Part specifications
15	O-ring	4	AS568-012 (NBR, Hs90)
16	O-ring	2	AS568-016 (NBR, Hs90)
17	O-ring	2	JIS B 2401 1A P10

- JM-G02



Contact Details

Before using the product, please check the guide pages at the front of this catalog.

Internet

<http://www.daikinpmc.com/en/>

For latest information, PDF catalogs and operation manuals

5 6: Model table

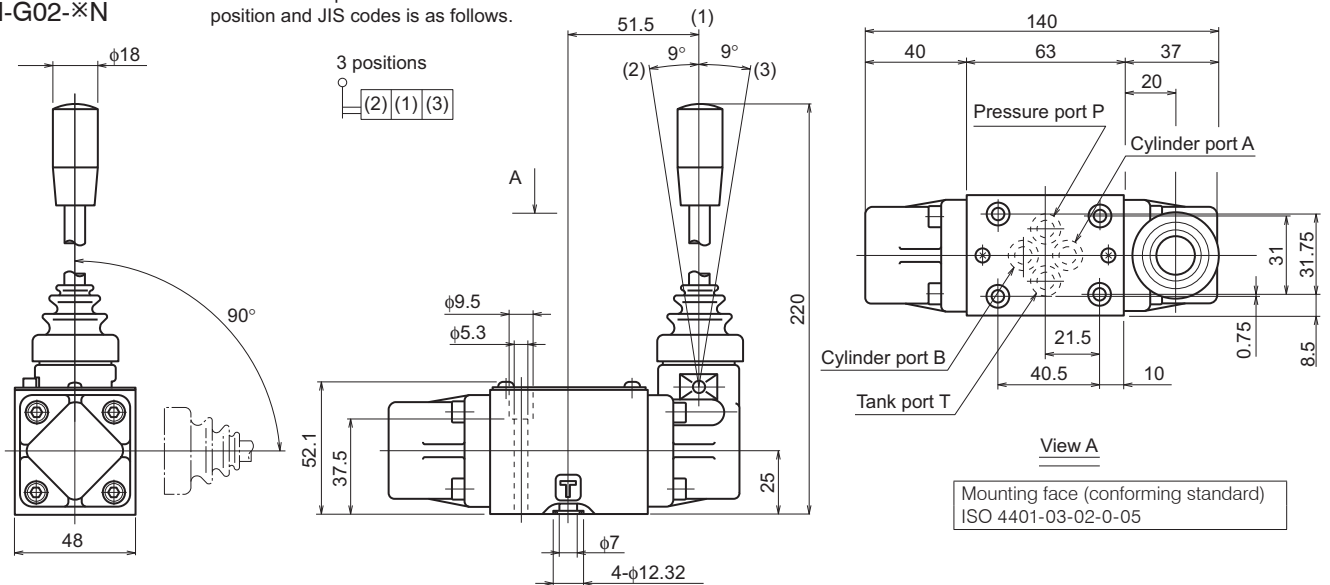
Model code	JIS graphic symbols for hydraulic system	Pressure drop characteristics (See the performance curves)			Model code	JIS graphic symbols for hydraulic system	Pressure drop characteristics (See the performance curves)		
		P → A P → B	B → T A → T	P → T			P → A P → B	B → T A → T	P → T
JM-G02-2C		(1)	(1)	-	JM-G02-3N		(2)	(2)	(2)
JM-G02-3C		(2)	(2)	(2)	JM-G02-4N		(1)	(2)	-
JM-G02-4C		(1)	(2)	-	JM-G02-5N		(1)	(1)	(4)
JM-G02-5C		(1)	(1)	(4)	JM-G02-6N		(3)	(3)	(5)
JM-G02-6C		(3)	(3)	(5)	JM-G02-66N		(3)	(3)	(5)
JM-G02-66C		(3)	(3)	(5)	JM-G02-2E		(2)	(2)	-
JM-G02-2N		(1)	(1)	-	JM-G02-2B		(2)	(2)	-

Note: In the transient period of switching, all ports are blocked with spool types/operating methods 6C and 6N, and all ports are open with spool types/operating methods 66C and 66N.

External dimension diagram

JM-G02-×C
JM-G02-×N

The relationship between the lever position and JIS codes is as follows.



JM-G02-2B
JM-G02-2E

The relationship between the lever position and JIS codes is as follows.

2 positions
(2) (3)

