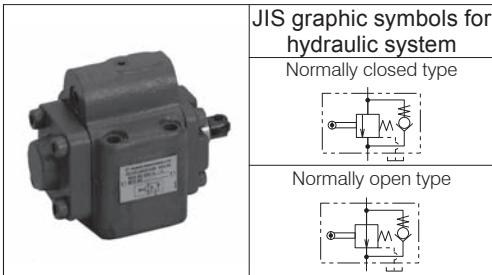


Deceleration Valve



Features

- Enables acceleration/deceleration of a cylinder by adjusting the plunger stroke with a cam mechanism

Nomenclature



1 Applicable fluid code

No designation: Petroleum-based hydraulic fluid, water-glycol hydraulic fluid
 F: Phosphate ester hydraulic fluid

2 Model No.

DDC: D series deceleration valve

3 Connections

G: Gasket mount type

4 Nominal diameter

03: 3/8
 06: 3/4

5 Spool operating method

2: Normally closed type
 3: Normally open type

Specifications

Model No.	Nominal diameter	Maximum operating pressure MPa {kgf/cm ² }	Maximum flow rate L/min	Cracking pressure MPa {kgf/cm ² }	Operating force N {kgf}	Stroke mm	Mass kg
DDC-G03	3/8	14 {140}	25	0.05 {0.5}	Approx. 150 {15}	10	4
DDC-G06	3/4		75				

Sub-plate model code

- The sub-plate is not provided with the valve. Order it separately if required by specifying the model code given in the table below.

Model code	Nominal diameter	Connection port diameter	Mass kg
DDC-03M	3/8	Rc3/8	1.5
DDC-06M	3/4	Rc3/4	2

Refer to Page S-9 for the dimensions of the sub-plate.

Accessories

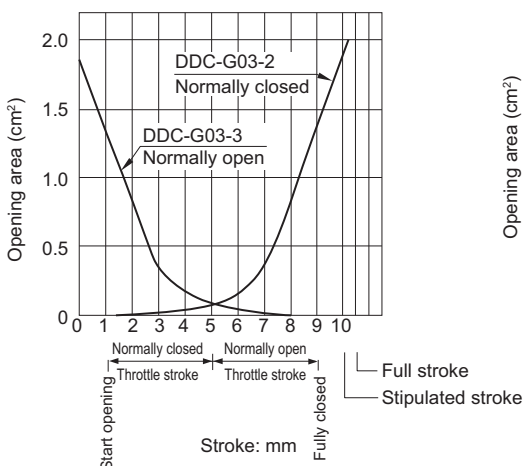
Model No.	Hexagon socket head cap bolt	Quantity	Tightening torque N·m {kgf·cm}
DDC-G03	M8 × 80	4	25 to 30 {250 to 300}
DDC-G06	M12 × 90	4	85 to 110 {850 to 1100}

Handling

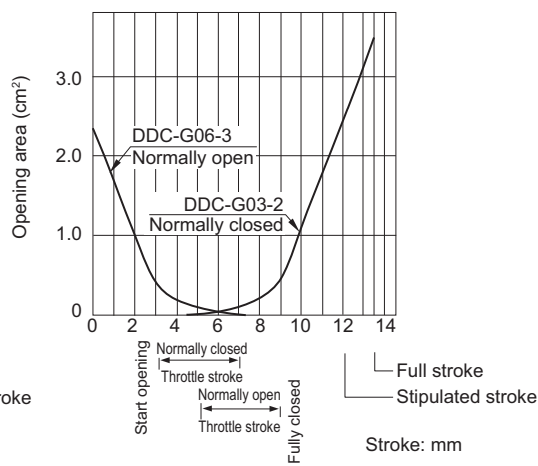
- Directly connect the drain piping to the tank without merging it with other tank piping.
- Use a cam with an inclination angle of no greater than 30°.

Performance curves

Stroke - opening area characteristics
 DDC-G03



DDC-G06



Contact Details

Before using the product, please check the guide pages at the front of this catalog.

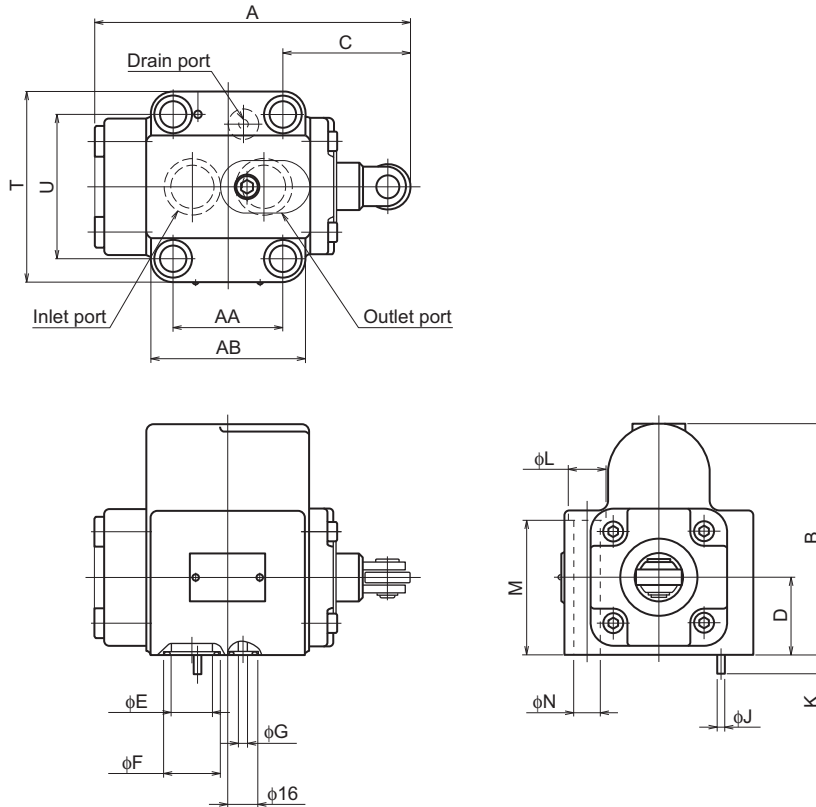
Internet

<http://www.daikinpmc.com/en/>

For latest information, PDF catalogs and operation manuals

External dimension diagram

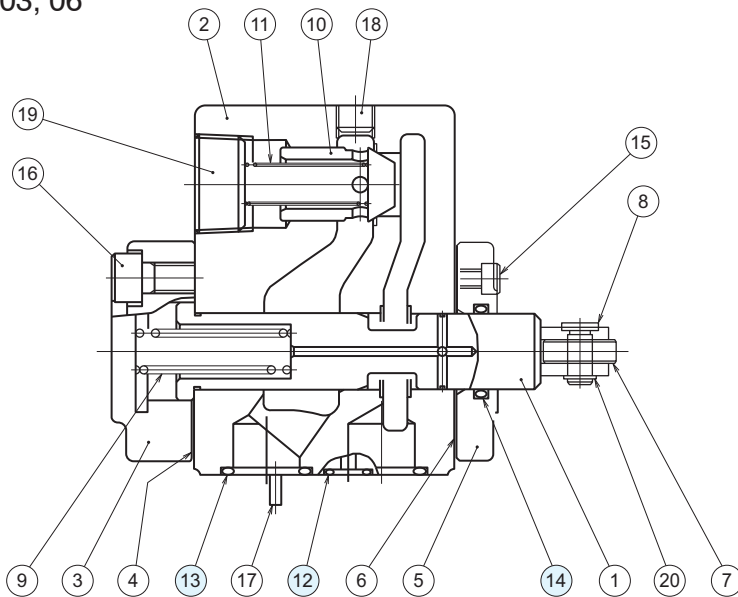
DDC-G03, 06



Model No.	Dimensions															
	A	B	C	D	E	F	G	J	K	L	M	N	T	U	AA	AB
DDC-G03	141	97	59.4	37	14	22	4	5	6	14	63	9	90	70	40	60
DDC-G06	167	123	67.4	40.7	22	30	4.8	4	10	20	70.7	14	100	76	58	82

Sectional structural diagram

DDC-G03, 06



Sealing part table

Part No.	Name	Quantity	Part specifications	
			DDC-G03	DDC-G06
12	O-ring	1	JIS B 2401 1A P12	
13	O-ring	2	JIS B 2401 1A P18	JIS B 2401 1A G25
14	O-ring	1	JIS B 2401 1A P20	JIS B 2401 1A P25