

YMA SERIES Hydraulic Unit with Variable VANE Pump

【FEATURES】

- **COMPACT & LIGHTWEIGHT**
Utilizes a compact, lightweight motor and pump combination to achieve a compact design
- **LOW Noise**
With the adoption of improved mounting methods and YUKEN's LOW noise variable vane pumps— further noise levels reductions are achieved.
- **EASE of circuit configurations**

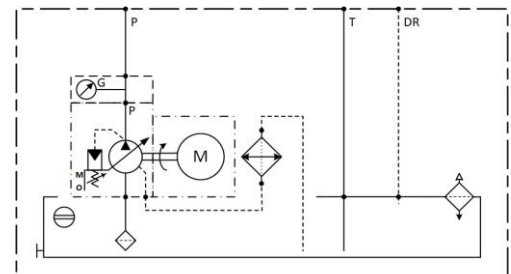


■ RELEASE DATE:

January 2023 Release

■ APPLICATIONS/USES:

Machine Tools, General Industrial Machines & Equipment



Circuit Diagram

■ MODEL Number Configuration:

YMA	30	-B	-2	-3	A	-20
Series	FLOW Capacity (Gallons per Minute)	PRESSURE Adjustment Range	TANK Capacity (US Gallons)	MOTOR Capacity (Horse Power)	POWER Supply Voltage	DESIGN Number
YMA	12: 3.2 g/min	A: 218~500 PSI	1: 2.3 G	1: 1 HP	A: AC 230/460V-60Hz	20
	20: 5.3 g/min	B: 435~795PSI	2: 4.6 G	2: 2 HP		
	30: 7.9 g/min			3: 3 HP		

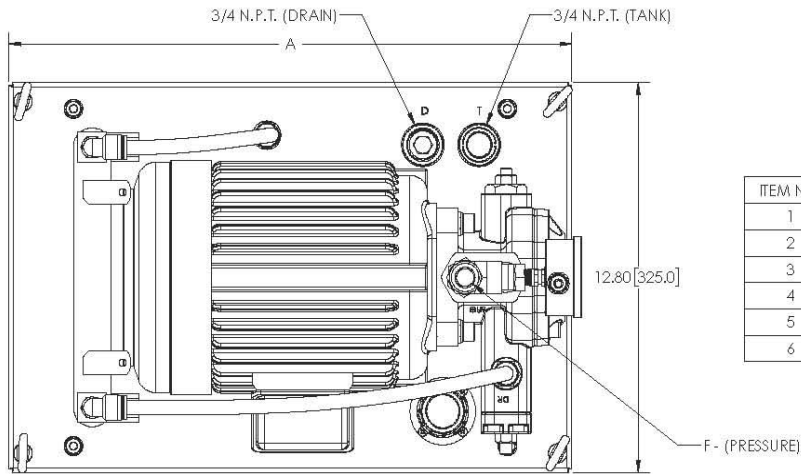
■ SPECIFICATIONS:

Model Number	FLOW Capacity Gallons/min.	MAX. Pressure PSI	PRESSURE Adjust. Range PSI	TANK Capacity US Gallons	MOTOR Capacity*1 HP	POWER Supply Voltage 60HZ	WEIGHT lbs
YMA12-A-1-1A-20	3.2	500.0	218~500	2.3	1	230/460V	73
YMA12-B-2-2A-20	3.2	795.0	435~795	4.6	2	230/460V	79
YMA20-A-1-2A-20	5.3	500.0	218~500	2.3	2	230/460V	73
YMA20-A-2-2A-20	5.3	500.0	218~500	4.6	2	230/460V	79
YMA20-B-2-2A-20	5.3	716 (795*2)	435~7 (795*2)	4.6	2	230/460V	79
YMA20-B-2-3A-20	5.3	795.0	435~795	4.6	3	230/460V	102
YMA30-A-2-2A-20	7.9	500.0	218~500	4.6	2	230/460V	102
YMA30-A-2-3A-20	7.9	500.0	218~500	4.6	3	230/460V	102
YMA30-B-2-3A-20	7.9	650 (795*3)	435~650 (795*3)	4.6	3	230/460V	123

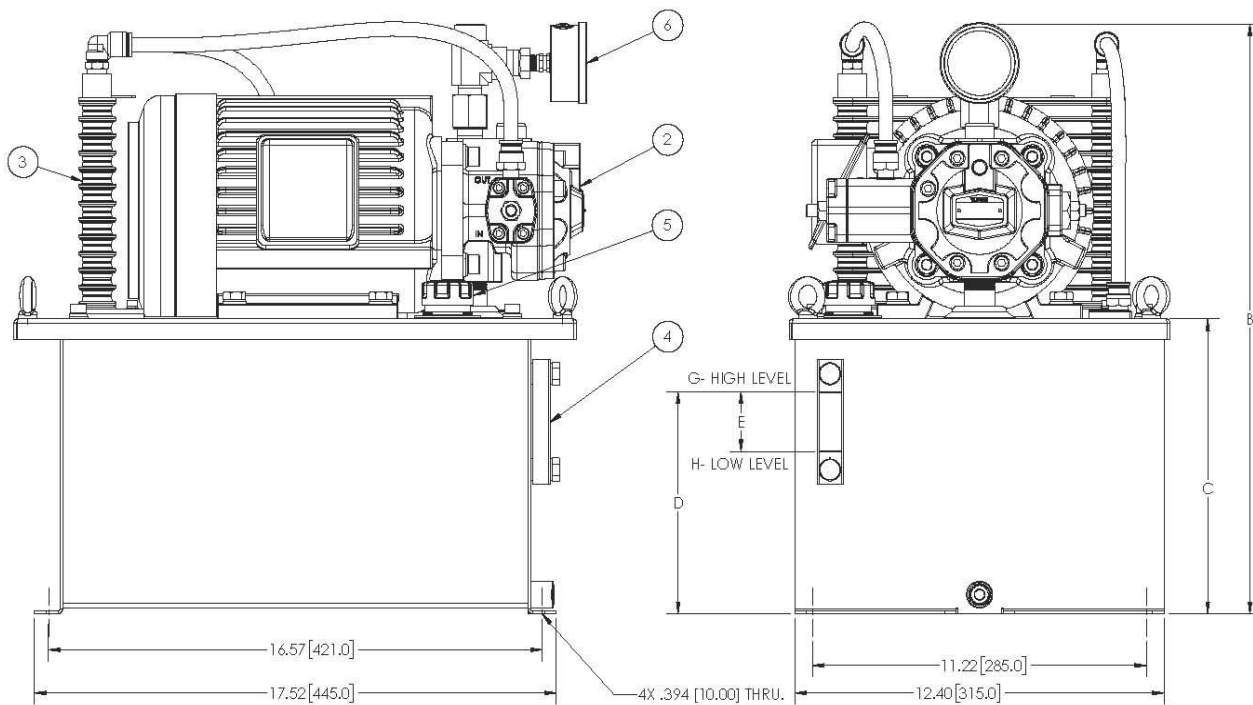
*1 1HP = 0.75kW_{X4P}, 2HP = 1.5kW_{X4P}, 3HP = 2.2kW_{X4P}

*2 Approximate 30% overload during C.O.

MAIN External Dimensions:



ITEM NO.	DESCRIPTION	QTY.
1	TANK ASSEMBLY	1
2	SVPM PUMP AND MOTOR	1
3	HEAT EXCHANGER	1
4	LEVEL GAUGE	1
5	FILLER, BREATHER ASSEMBLY	1
6	PANEL MOUNT PRESSURE GAUGE	1



	A	B	C	D	E	F	G	H	WEIGHT
YMA12-A-1-1A-20	18.90 [480.0]	15.50 [393.6]	6.14 [155.9]	3.76 [95.5]	.83 [21.0]	3/8 N.P.T.	2.3 GAL.	1.8 GAL.	73 LB.
YMA12-B-2-2A-20	18.90 [480.0]	19.09 [485.0]	9.68 [245.9]	7.28 [185.0]	1.97 [50.0]	3/8 N.P.T.	4.6 GAL.	3.3 GAL.	94 LB.
YMA20-A-1-2A-20	18.90 [480.0]	15.50 [393.6]	6.14 [155.9]	3.76 [95.5]	.83 [21.0]	3/8 N.P.T.	2.3 GAL.	1.8 GAL.	87 LB.
YMA20-A-2-2A-20	18.90 [480.0]	19.09 [485.0]	9.68 [245.9]	7.28 [185.0]	1.97 [50.0]	3/8 N.P.T.	4.6 GAL.	3.3 GAL.	91 LB.
YMA20-B-2-2A-20	18.90 [480.0]	19.09 [485.0]	9.68 [245.9]	7.28 [185.0]	1.97 [50.0]	3/8 N.P.T.	4.6 GAL.	3.3 GAL.	94 LB.
YMA20-B-2-3A-20	18.90 [480.0]	19.09 [485.0]	9.68 [245.9]	7.28 [185.0]	1.97 [50.0]	3/8 N.P.T.	4.6 GAL.	3.3 GAL.	116 LB.
YMA30-A-2-2A-20	18.90 [480.0]	19.39 [492.4]	9.68 [245.9]	7.28 [185.0]	1.97 [50.0]	1/2 N.P.T.	4.6 GAL.	3.3 GAL.	101 LB.
YMA30-A-2-3A-20	18.90 [480.0]	19.78 [502.4]	9.68 [245.9]	7.28 [185.0]	1.97 [50.0]	1/2 N.P.T.	4.6 GAL.	3.3 GAL.	123 LB.
YMA30-B-2-3A-20	18.90 [480.0]	19.78 [502.4]	9.68 [245.9]	7.28 [185.0]	1.97 [50.0]	1/2 N.P.T.	4.6 GAL.	3.3 GAL.	123 LB.

YMA Series
Hydraulic Unit-Variable VANE Pump
 Document No.
 1st Edition:
 Revision:
 Issuer: YUKEN NORTH AMERICA CORP

YUKEN NORTH AMERICA CORP.
 18242 McDumott Street, Suite F
 Irvine, CA 92614
 Tel : +1 949-418-9150
 E-mail : info@yuken-na.com
 URL : https://yuken-na.com/

