

TERAL

Vertical Multistage Centrifugal Pumps

ASVM Stainless steel
AISI304

ASVMN Stainless steel
AISI316

ASVMG Cast iron &
Stainless steel AISI304

60Hz



TERAL INC.

Since 1918

Advanced technology from Japan

Applications

Typical application of ASVM, ASVMN, ASVMG series pumps

■ WATER SUPPLY AND PRESSURE BOOSTING

Pressure boosting in buildings, hotels, residential complexes
 Pressure booster stations, supply of water networks
 Pressure boosting for industrial water supply

■ LIGHT INDUSTRY

Washing and cleaning systems
 Car washing facilities
 Fire fighting systems
 Process water systems
 Machine tools (cooling lubricants)

■ HEATING, VENTILATION AND AIR-CONDITIONING

Boilers
 Induction heating
 Heat exchangers
 Cooling towers and systems
 Temperature control systems

■ IRRIGATION AND AGRICULTURE

Greenhouses
 Sprinkler irrigation
 Field irrigation (flooding)

■ WATER TREATMENT

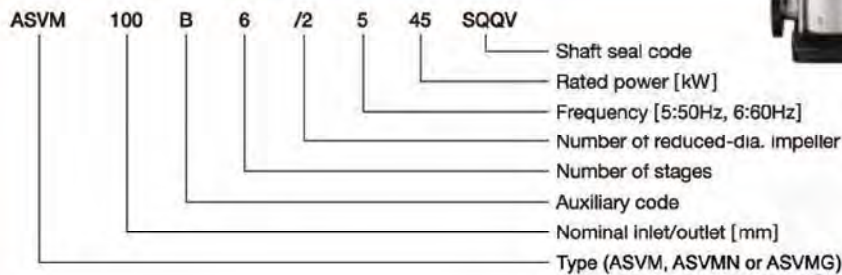
Water softeners and de-mineralization
 Reverse Osmosis systems
 Distillation systems
 Filtration
 Ultra-filtration systems



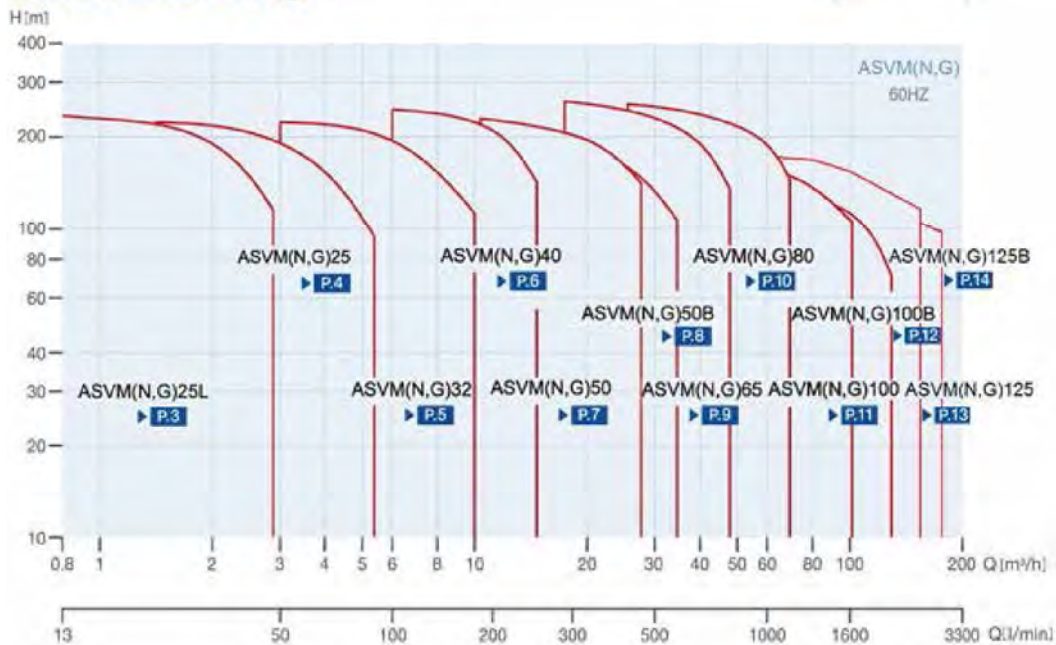
Identification Code

ASVM100B6/2-545

SQQV



Performance range

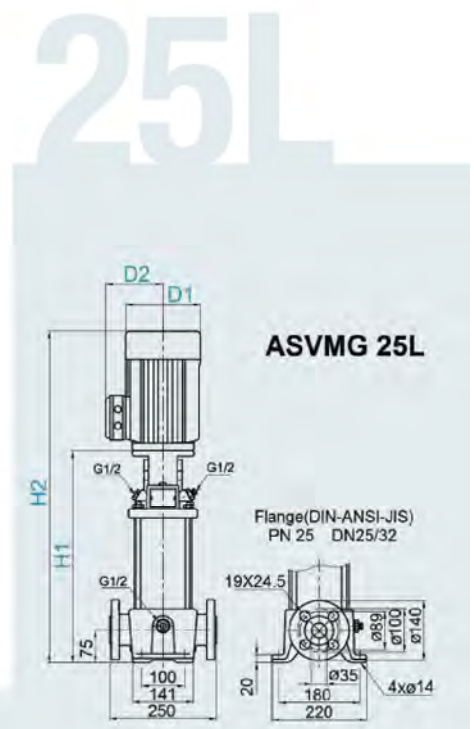
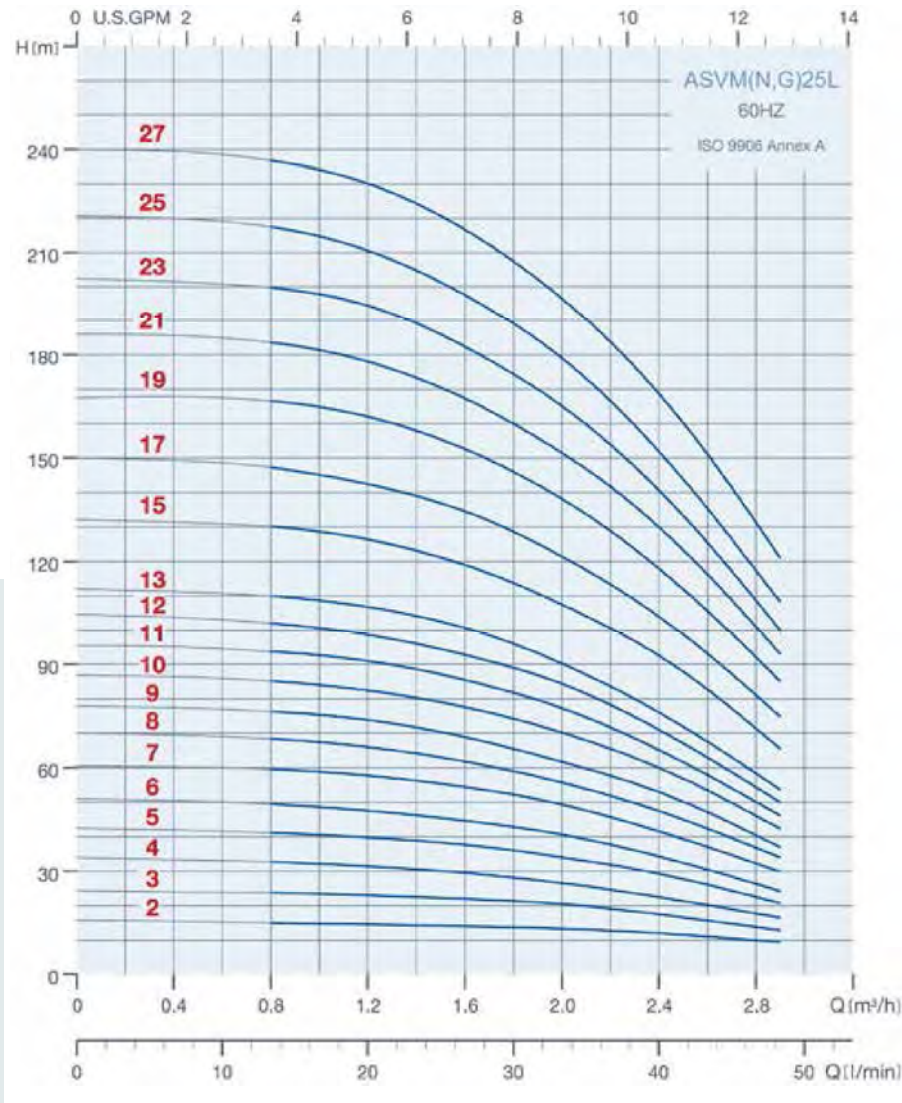


Standard specification

60Hz	ASVM, ASVMN, ASVMG											
	25L	25	32	40	50	50B	65	80	100	100B	125	125B
Nominal inlet/outlet [mm]	25	25	32	40	50	50	65	80	100	100	125	125
Nominal flow [m ³ /h]	1.2	3.6	6	12	18	24	38	54	77	108	140	180
Flow range [m ³ /h]	0.8-2.9	1.5-5.4	3-10	6-15.5	10.5-28	12.5-35	18-48	26-70	36-102	54-146	60-160	75-180
Max. pressure [bar]	23.5	23.3	23	24.5	23.5	20.5	27	26	17.8	15.9	18.5	15.3
Fluid temperature [°C]	-15 to +120											
Motor power [kW]	0.37-3.0	0.37-4.0	0.55-7.5	0.75-11	1.5-18.5	2.2-18.5	2.2-30	5.5-45	7.5-45	11-45	18.5-75	18.5-75
Material												
ASVM	Stainless steel EN 1.4301/AISI 304/SUS304											
ASVMN	Stainless steel EN 1.4401/AISI 316/SUS316											
ASVMG	Pump body: Stainless steel EN 1.4301/AISI 304/SUS304											
	Pump base: Cast iron EN-GJL-200/ASTM25B/FC200						Pump base: Cast iron EN-GJL-250/ASTM35B/FC250					
Motor												
Mains connection 1-[V/Hz] (Permissible voltage tolerance ± 10%)	220-240V 50Hz											
Mains connection 3-[V/Hz] (Permissible voltage tolerance ± 10%)	0.37-1.1kW 220-255/380-440V 60Hz 1.5-7.5kW 220-277/380-480V 60Hz From 11kW 220/380/440V 60Hz											
Insulation class	F											
Enclosure class	IP 55 (≤7.5kW) IP54 (≥11kW)											
Ambient temperature	50°C											
Pipe Connection												
Flange	DN 25/32	DN 25/32	DN 25/32	DN 40	DN 50	DN 50	DN 65	DN80	DN100	DN100	DN125	DN125
Shaft Seal												
Mechanical Seal	Cartridge type SiC/SiC + Viton (Seal code : SQQV)											

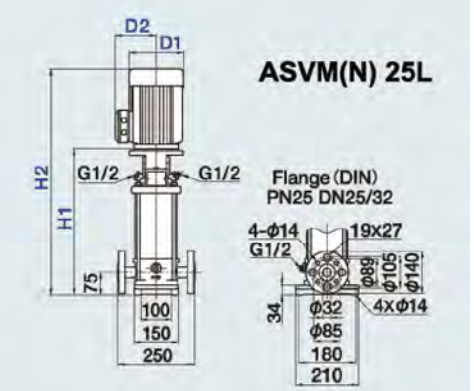
Maximum operating and inlet pressure

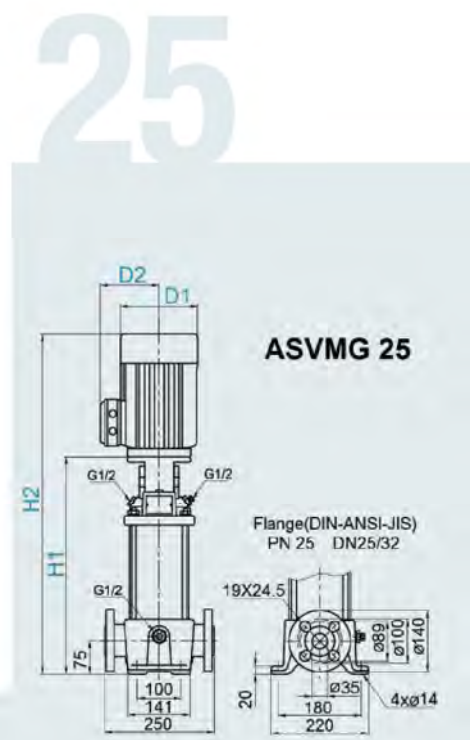
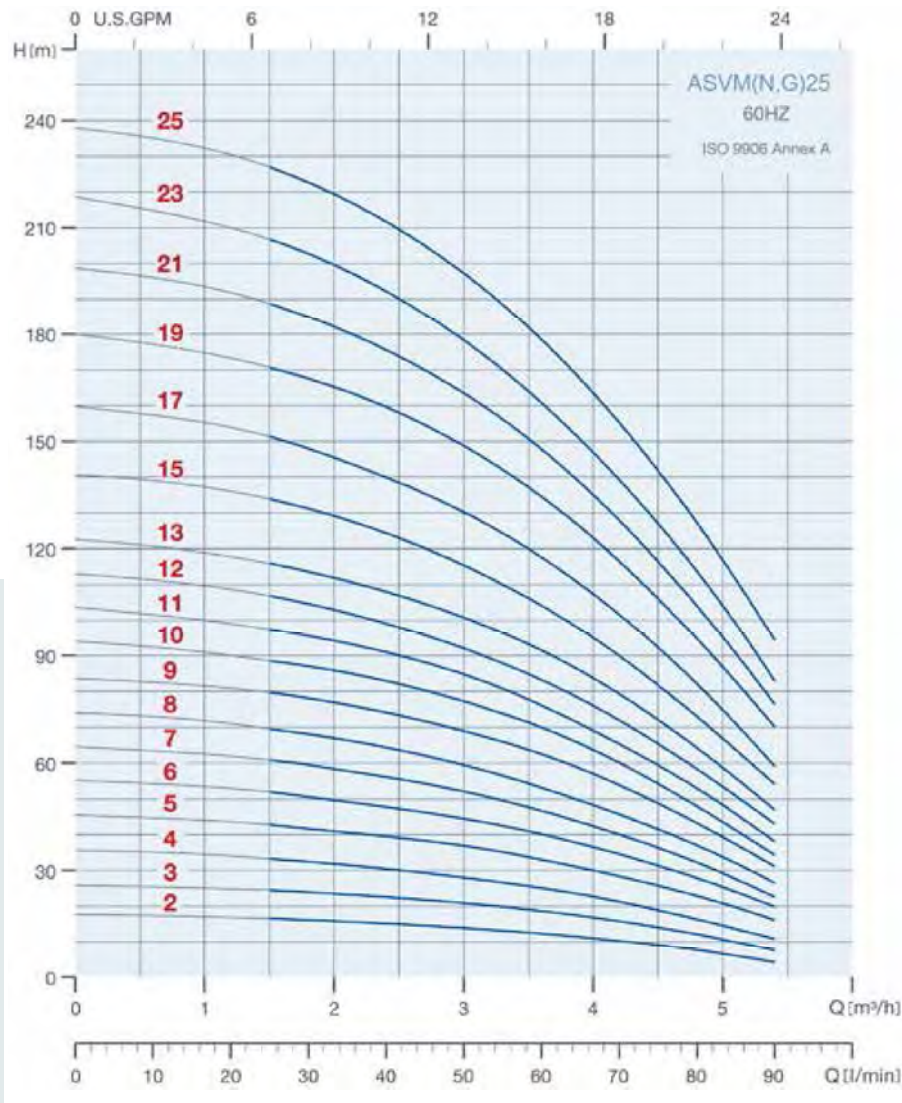
	Stages	Maximum Operating Pressure	Stages	Maximum Inlet Pressure	Flange pressure rating (PN)
ASVM, ASVMN, ASVMG 25L	2 - 27	25 bar	2 - 25	10 bar	PN 25
			27	15 bar	
ASVM, ASVMN, ASVMG 25	2 - 25	25 bar	2 - 15	10 bar	PN 25
			17 - 25	15 bar	
ASVM, ASVMN, ASVMG 32	2 - 24	25 bar	2 - 9	10 bar	PN 25
			10 - 24	15 bar	
ASVM, ASVMN, ASVMG 40	1 - 10	16 bar	1 - 5	8 bar	PN 16
	12 - 17	25 bar	6 - 18	10 bar	PN 25
ASVM, ASVMN, ASVMG 50	1 - 8	16 bar	1 - 2	8 bar	PN 16
	9 - 12	25 bar	3 - 12	10 bar	PN 25
ASVM, ASVMN, ASVMG 50B	1 - 7	16 bar	1	8 bar	PN 16
	8 - 10	25 bar	2 - 10	10 bar	PN 25
ASVM, ASVMN, ASVMG 65	1/1 - 5	16 bar	1/1 - 2	4 bar	PN 16
	6/2 - 10/2	30 bar	3/2 - 6	10 bar	PN 25/40
		30 bar	7/2 - 10/2	15 bar	
ASVM, ASVMN, ASVMG 80	1/1 - 4	16 bar	1/1 - 1	4 bar	PN 16
	5/2 - 7	30 bar	2/2 - 3	10 bar	PN 25/40
4/2 - 7			15 bar	PN 25/40	
ASVM, ASVMN, ASVMG 100	1/1 - 3	16 bar	1/1	4 bar	PN 16
	4/2 - 5/2	30 bar	1 - 2/1	10 bar	PN 25/40
2 - 5/2			15 bar		
ASVM, ASVMN, ASVMG 100B	1/1 - 3	16 bar	1/1 - 2/2	10 bar	PN 16
	4/2	30 bar	2/1 - 4/2	15 bar	PN 25/40
ASVM, ASVMN, ASVMG 125	1 - 5/2	30 bar	1	10 bar	PN 25/40
			2/2 - 3/1	15 bar	
			3 - 5/2	20 bar	
ASVM, ASVMN, ASVMG 125B	1/1 - 4/2	30 bar	1/1	10 bar	PN 25/40
			1 - 2	15 bar	
			3/2 - 4/2	20 bar	



■ Dimensions and Weights

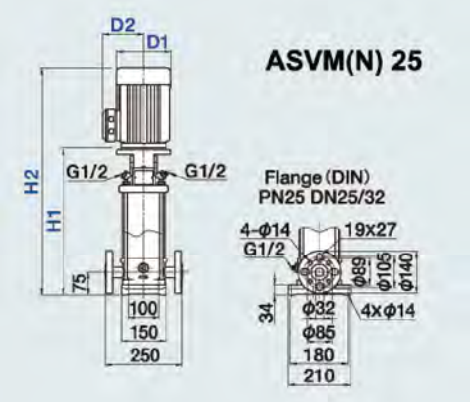
Model	P2 [kW]	ASVM(N), ASVMG		ASVM(N)		ASVMG		ASVM(N)	ASVMG
		D1	D2	H1	H2	H1	H2		
Dimension [mm]									
Net Weight [Kg]									
ASVM(N,G) 25L2-6.37	0.37	141	115	282	477	279	474	20	23
ASVM(N,G) 25L3-6.37	0.37	141	115	282	477	279	474	20	23
ASVM(N,G) 25L4-6.37	0.37	141	115	300	495	297	474	21	24
ASVM(N,G) 25L5-6.55	0.55	141	115	318	513	315	510	22	25
ASVM(N,G) 25L6-6.55	0.55	141	115	336	531	333	528	22	25
ASVM(N,G) 25L7-6.75	0.75	141	115	360	595	357	592	24	28
ASVM(N,G) 25L8-6.75	0.75	141	115	378	613	375	610	25	28
ASVM(N,G) 25L9-6.75	0.75	141	115	396	631	393	628	25	28
ASVM(N,G) 25L10-6.1.1	1.1	141	115	414	649	411	646	27	30
ASVM(N,G) 25L11-6.1.1	1.1	141	115	432	667	429	664	27	30
ASVM(N,G) 25L12-6.1.1	1.1	141	115	450	685	447	682	27	31
ASVM(N,G) 25L13-6.1.1	1.1	141	115	468	703	465	700	28	31
ASVM(N,G) 25L15-6.1.5	1.5	177	141	520	811	517	808	37	40
ASVM(N,G) 25L17-6.1.5	1.5	177	141	556	847	553	844	38	41
ASVM(N,G) 25L19-6.2.2	2.2	177	141	592	883	589	880	41	45
ASVM(N,G) 25L21-6.2.2	2.2	177	141	628	919	625	916	42	45
ASVM(N,G) 25L23-6.2.2	2.2	177	141	664	955	661	952	43	46
ASVM(N,G) 25L25-6.2.2	2.2	177	141	700	991	697	988	44	47
ASVM(N,G) 25L27-6.3.0	3.0	197	147	741	1057	737	1053	52	55

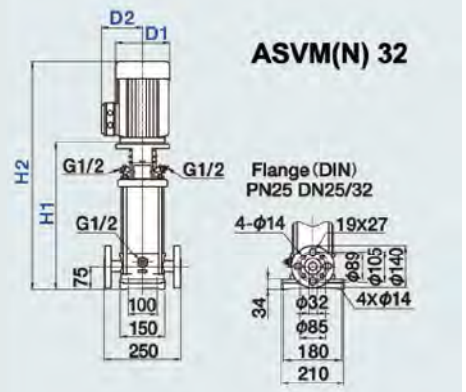
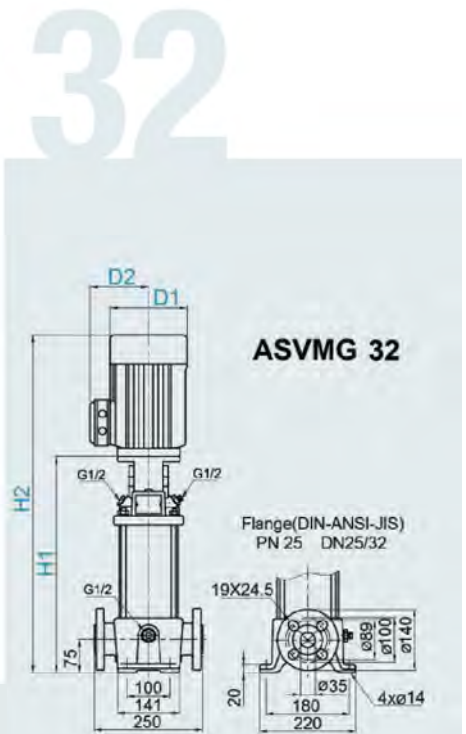
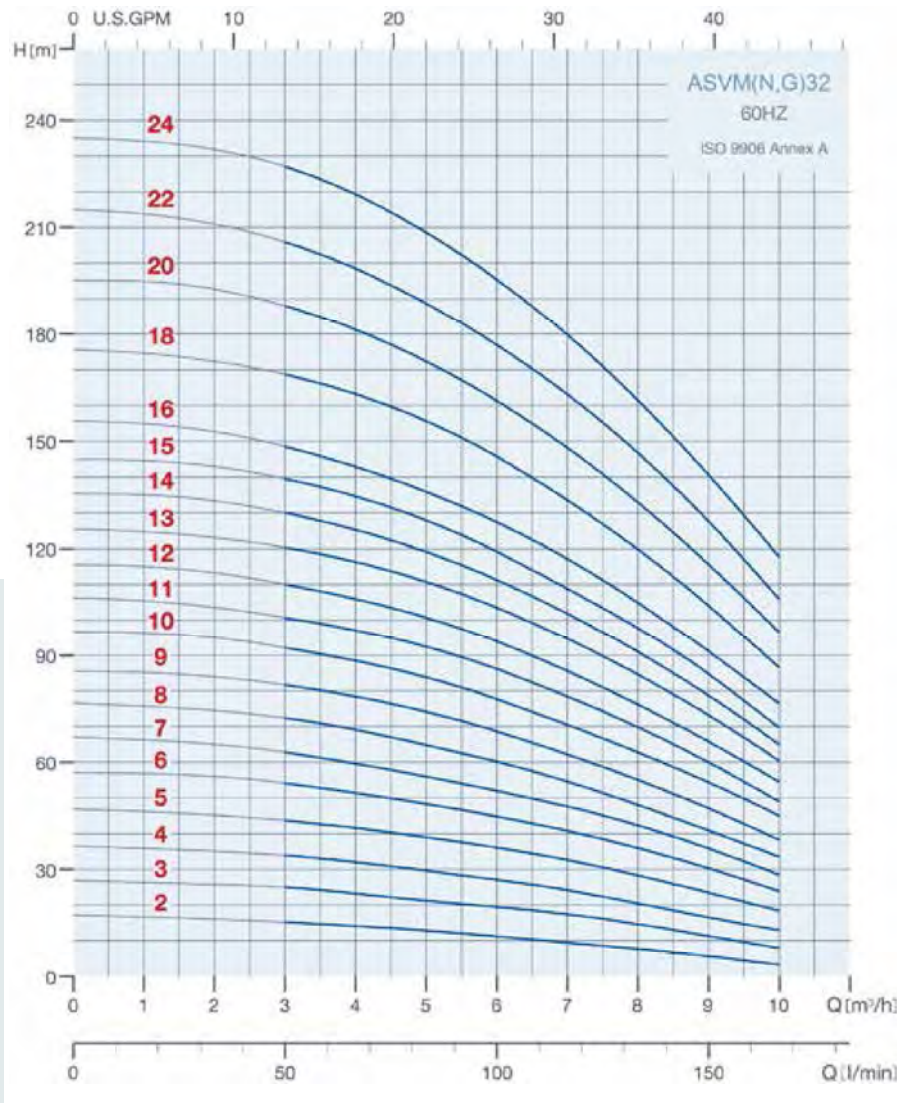




■ Dimensions and Weights

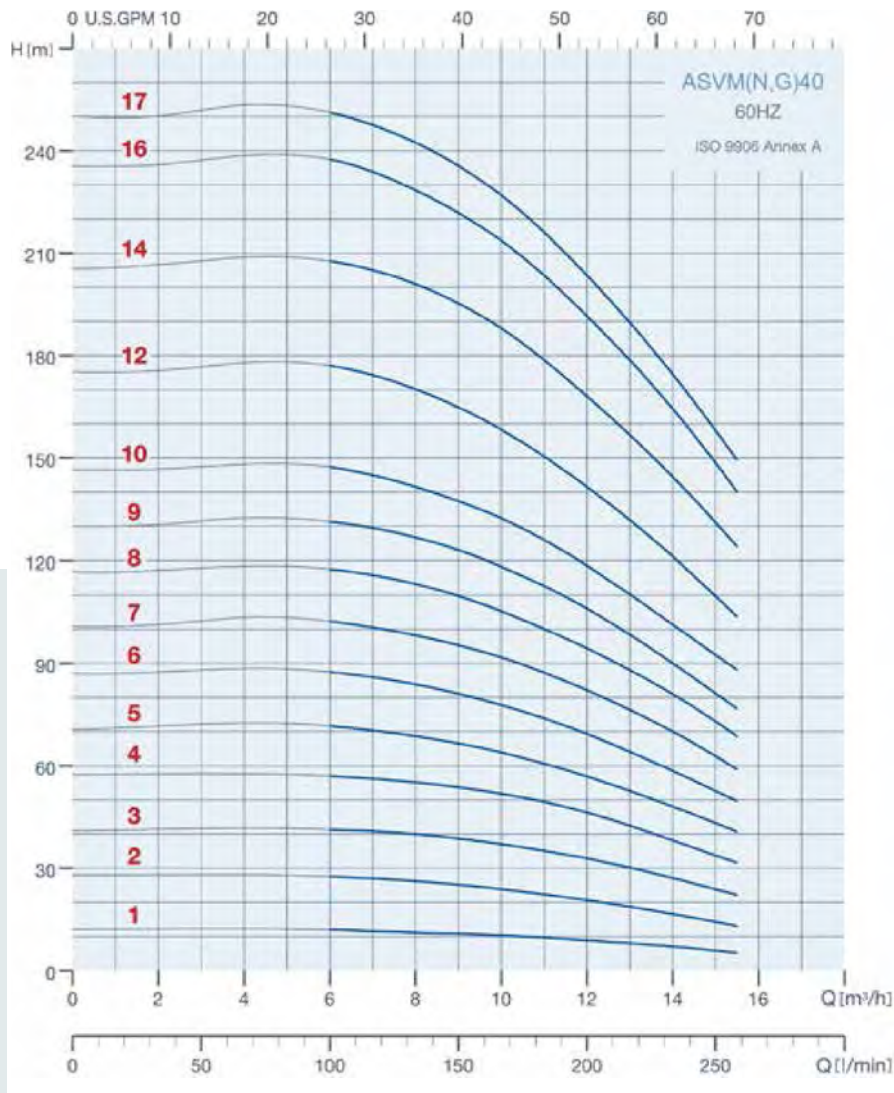
Model	P2 [kW]	ASVM(N), ASVMG		ASVM(N)		ASVMG		ASVM(N)	ASVMG
		D1	D2	H1	H2	H1	H2		
Dimension [mm]									
Net Weight [Kg]									
ASVM(N,G) 252-6.37	0.37	141	115	282	477	279	474	20	23
ASVM(N,G) 253-6.55	0.55	141	115	282	477	279	474	21	24
ASVM(N,G) 254-6.55	0.55	141	115	300	495	297	492	21	24
ASVM(N,G) 255-6.75	0.75	141	115	324	559	321	556	24	27
ASVM(N,G) 256-61.1	1.1	141	115	342	577	339	574	25	28
ASVM(N,G) 257-61.1	1.1	141	115	360	595	357	592	25	29
ASVM(N,G) 258-61.1	1.1	141	115	378	613	375	610	26	29
ASVM(N,G) 259-61.5	1.5	177	141	412	703	409	700	35	38
ASVM(N,G) 2510-61.5	1.5	177	141	430	721	427	718	35	39
ASVM(N,G) 2511-61.5	1.5	177	141	448	739	445	736	36	39
ASVM(N,G) 2512-62.2	2.2	177	141	466	757	463	754	39	42
ASVM(N,G) 2513-62.2	2.2	177	141	484	775	481	772	39	42
ASVM(N,G) 2515-62.2	2.2	177	141	520	811	517	808	40	43
ASVM(N,G) 2517-62.2	2.2	177	141	556	847	553	844	41	44
ASVM(N,G) 2519-63.0	3.0	197	147	597	913	593	909	49	52
ASVM(N,G) 2521-63.0	3.0	197	147	633	949	629	945	49	53
ASVM(N,G) 2523-63.0	3.0	197	147	669	985	665	981	50	54
ASVM(N,G) 2525-64.0	4.0	220	161	705	1031	701	1027	54	58



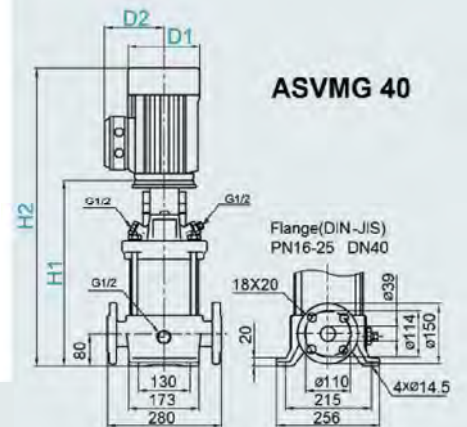


■ Dimensions and Weights

Model	P2 [kW]	ASVM(N), ASVMG		ASVM(N)		ASVMG		ASVM(N)	ASVMG
		D1	D2	H1	H2	H1	H2		
Dimension [mm]									
Net Weight [Kg]									
ASVM(N,G) 322-6.55	0.55	141	115	282	477	279	474	21	24
ASVM(N,G) 323-61.1	1.1	141	115	315	550	312	547	24	28
ASVM(N,G) 324-61.1	1.1	141	115	342	577	339	574	25	28
ASVM(N,G) 325-61.5	1.5	177	141	385	676	382	673	34	37
ASVM(N,G) 326-62.2	2.2	177	141	412	703	409	700	38	41
ASVM(N,G) 327-62.2	2.2	177	141	439	730	436	727	38	41
ASVM(N,G) 328-62.2	2.2	177	141	466	757	463	754	39	42
ASVM(N,G) 329-62.2	2.2	177	141	493	784	490	781	39	42
ASVM(N,G) 3210-63.0	3.0	197	147	525	841	521	837	47	50
ASVM(N,G) 3211-63.0	3.0	197	147	552	868	548	864	47	51
ASVM(N,G) 3212-63.0	3.0	197	147	579	895	575	891	48	51
ASVM(N,G) 3213-64.0	4.0	220	161	606	932	602	928	52	55
ASVM(N,G) 3214-64.0	4.0	220	161	633	959	629	955	53	56
ASVM(N,G) 3215-64.0	4.0	220	161	660	986	656	982	53	56
ASVM(N,G) 3216-64.0	4.0	220	161	687	1013	683	1009	54	57
ASVM(N,G) 3218-65.5	5.5	235	197	770	1132	767	1129	75	78
ASVM(N,G) 3220-65.5	5.5	235	197	824	1186	821	1183	76	79
ASVM(N,G) 3222-65.5	5.5	235	197	878	1240	875	1237	77	80
ASVM(N,G) 3224-67.5	7.5	235	197	932	1330	929	1327	87	90

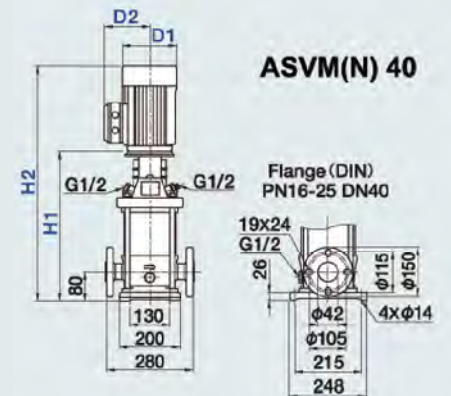


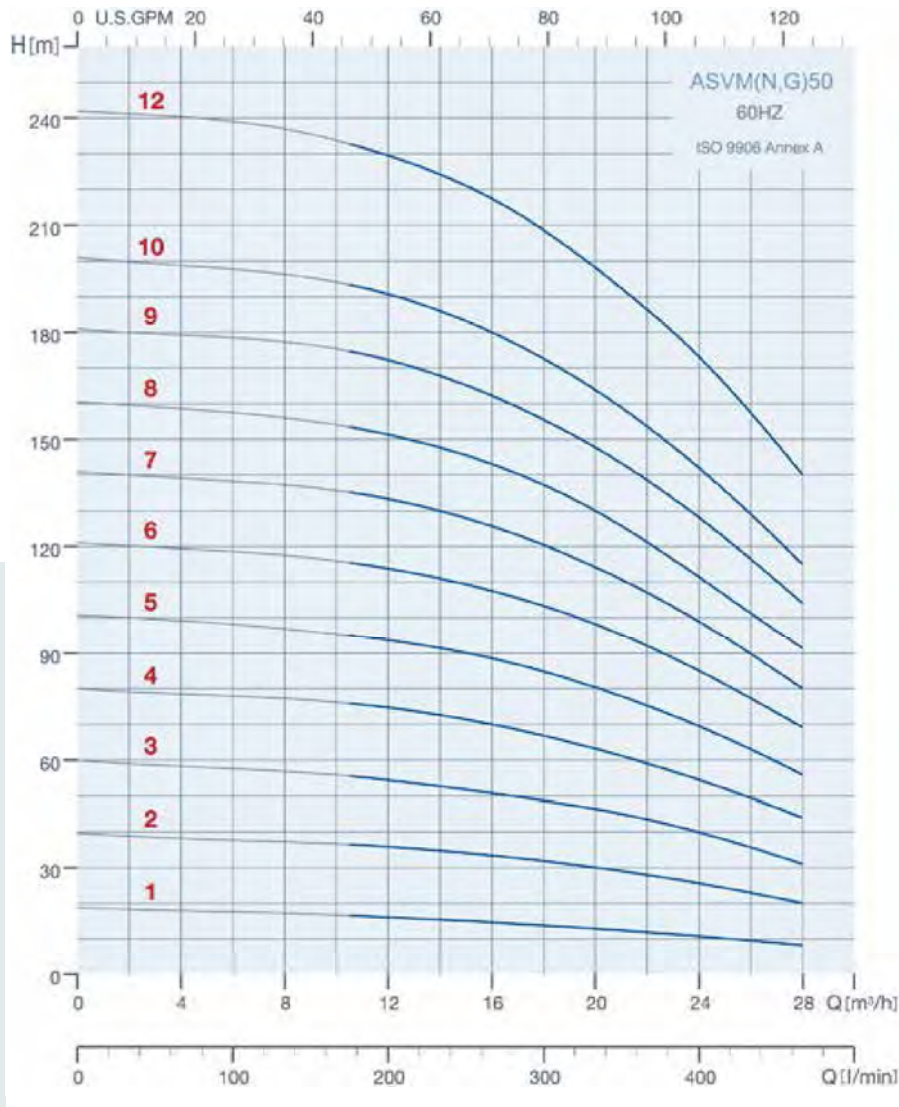
40



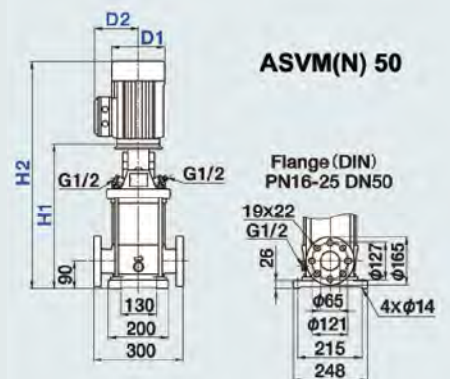
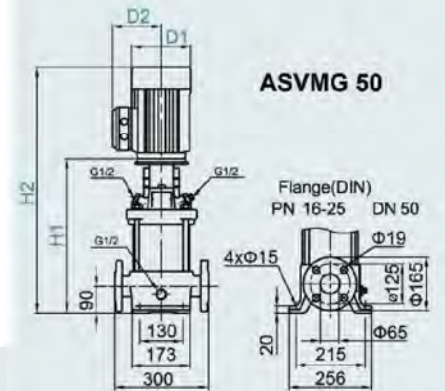
■ Dimensions and Weights

Model	P2 [kW]	ASVM(N), ASVMG		ASVM(N)		ASVMG		ASVM(N)	ASVMG
		D1	D2	H1	H2	H1	H2		
Dimension [mm]									
Net Weight [Kg]									
ASVM(N,G) 401-6.75	0.75	141	115	357	592	347	582	34	38
ASVM(N,G) 402-61.5	1.5	177	141	373	664	363	654	44	48
ASVM(N,G) 403-62.2	2.2	177	141	403	694	393	684	48	52
ASVM(N,G) 404-63.0	3.0	197	147	438	754	428	744	56	61
ASVM(N,G) 405-63.0	3.0	197	147	468	784	458	774	57	62
ASVM(N,G) 406-64.0	4.0	220	161	498	824	488	814	61	66
ASVM(N,G) 407-65.5	5.5	235	197	560	922	550	912	90	93
ASVM(N,G) 408-65.5	5.5	235	197	590	952	580	942	91	95
ASVM(N,G) 409-65.5	5.5	235	197	620	982	610	972	92	96
ASVM(N,G) 4010-67.5	7.5	235	197	650	1048	640	1038	101	105
ASVM(N,G) 4012-67.5	7.5	235	197	710	1108	700	1098	103	107
ASVM(N,G) 4014-611	11	318	245	847	1352	837	1342	143	146
ASVM(N,G) 4016-611	11	318	245	907	1412	897	1402	145	148
ASVM(N,G) 4017-611	11	318	245	967	1472	957	1462	146	149



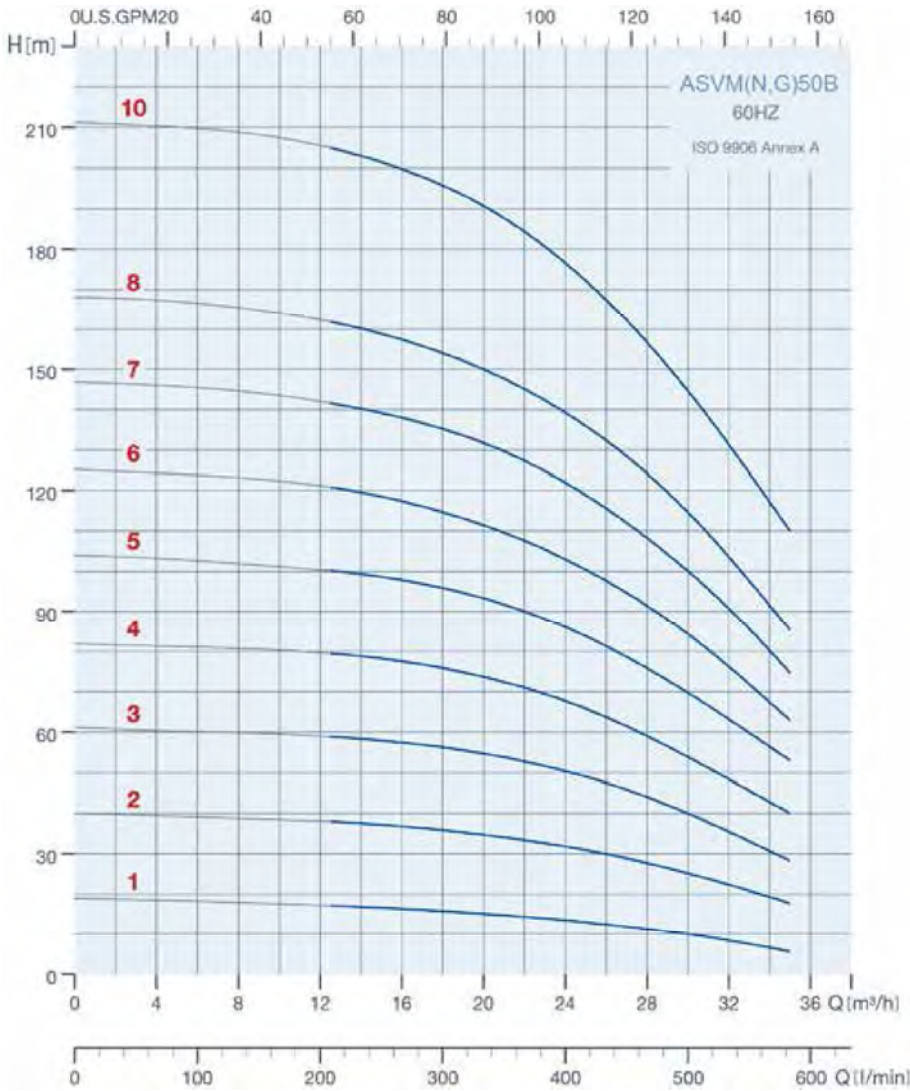


50

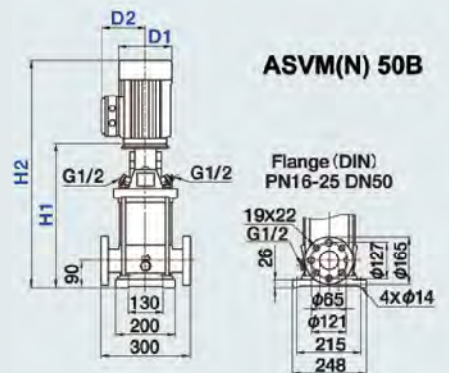
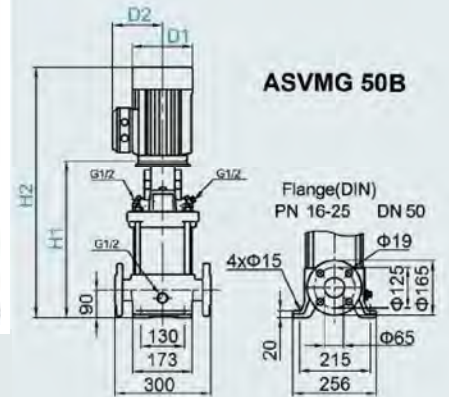


■ Dimensions and Weights

Model	P2 [kW]	ASVM(N), ASVMG		ASVM(N)		ASVMG		ASVM(N) ASVMG	
		D1	D2	H1	H2	H1	H2	Net Weight [Kg]	
Dimension [mm]									
ASVM(N,G) 501-61.5	1.5	177	141	413	704	415	706	45	53
ASVM(N,G) 502-63.0	3.0	197	147	418	734	420	736	55	64
ASVM(N,G) 503-64.0	4.0	220	161	463	789	465	791	60	68
ASVM(N,G) 504-65.5	5.5	235	197	540	902	542	904	89	96
ASVM(N,G) 505-67.5	7.5	235	197	585	983	587	985	99	106
ASVM(N,G) 506-611	11	318	245	707	1212	709	1214	138	144
ASVM(N,G) 507-611	11	318	245	752	1257	754	1259	139	146
ASVM(N,G) 508-611	11	318	245	797	1302	799	1304	140	147
ASVM(N,G) 509-615	15	318	245	842	1352	844	1354	152	159
ASVM(N,G) 5010-615	15	318	245	887	1397	889	1399	153	160
ASVM(N,G) 5012-618	18.5	318	245	977	1527	979	1529	181	188

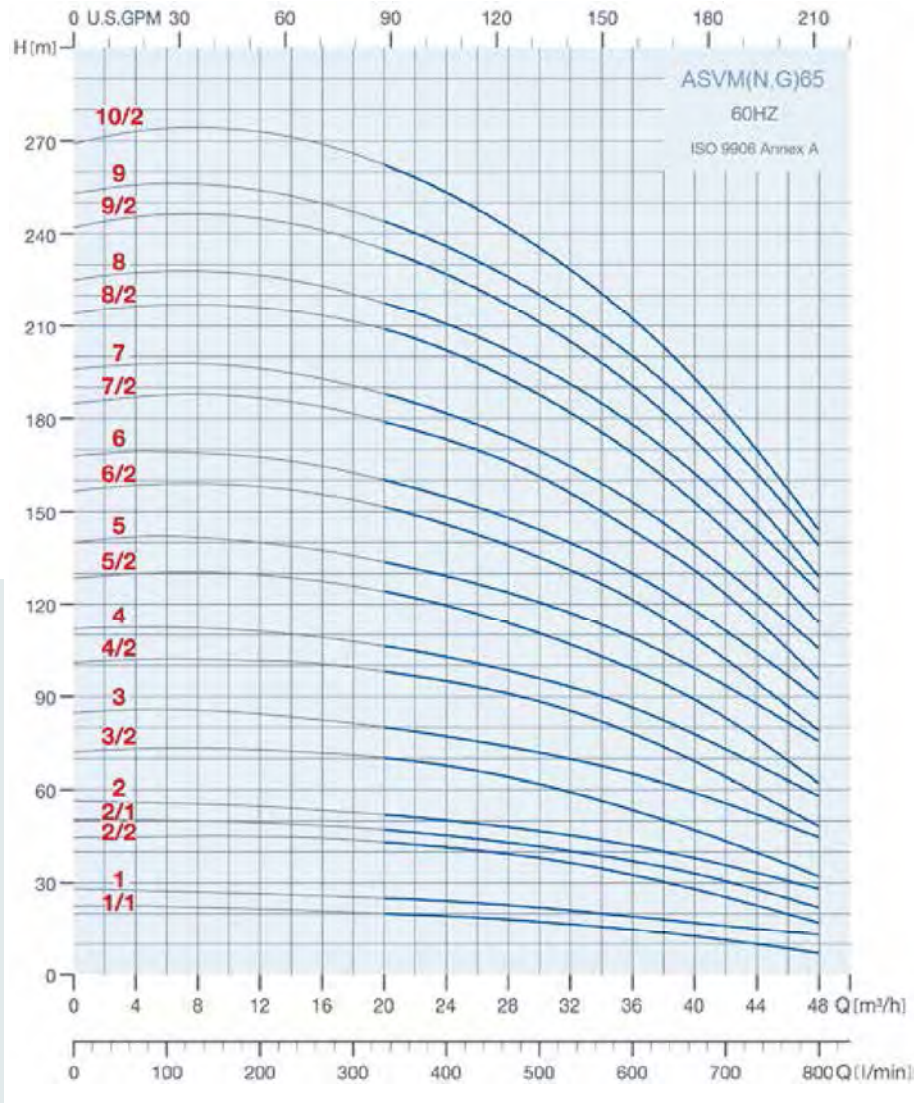


50B

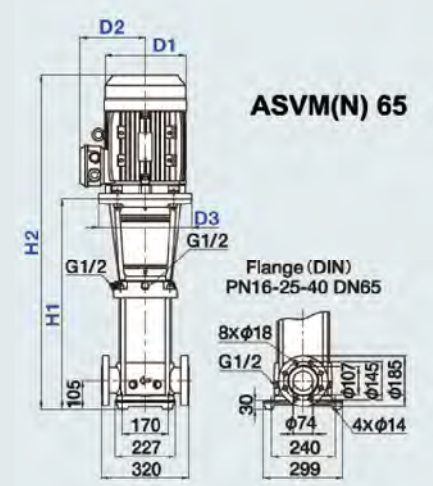
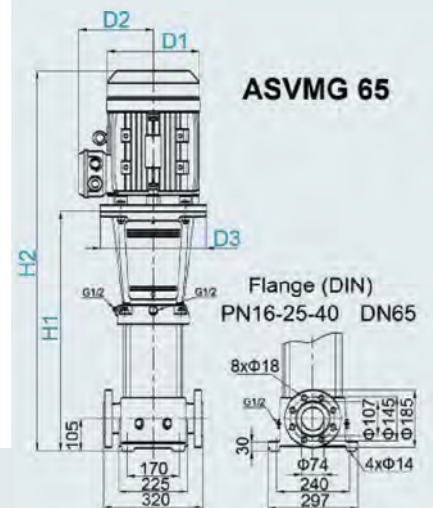


■ Dimensions and Weights

Model	P2 [kW]	ASVM(N), ASVMG		ASVM(N)		ASVMG		ASVM(N), ASVMG	
		D1	D2	H1	H2	H1	H2	Net Weight [Kg]	
Dimension [mm]									
ASVM(N,G) 50B1-62.2	2.2	177	141	415	706	415	706	48	55
ASVM(N,G) 50B2-64.0	4.0	220	161	420	746	420	746	59	67
ASVM(N,G) 50B3-65.5	5.5	235	197	497	859	497	859	88	95
ASVM(N,G) 50B4-67.5	7.5	235	197	542	940	542	940	98	105
ASVM(N,G) 50B5-611	11	318	245	664	1169	664	1169	136	143
ASVM(N,G) 50B6-611	11	318	245	709	1214	709	1214	138	144
ASVM(N,G) 50B7-615	15	318	245	754	1264	754	1264	149	156
ASVM(N,G) 50B8-615	15	318	245	799	1309	799	1309	150	157
ASVM(N,G) 50B10-618	18.5	318	245	889	1439	889	1439	178	185

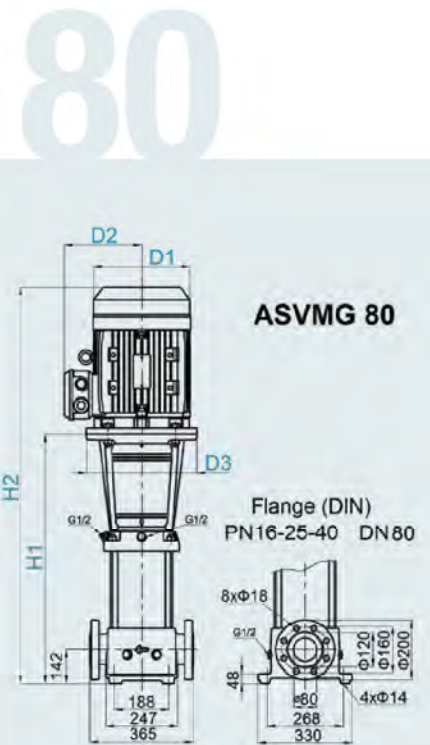
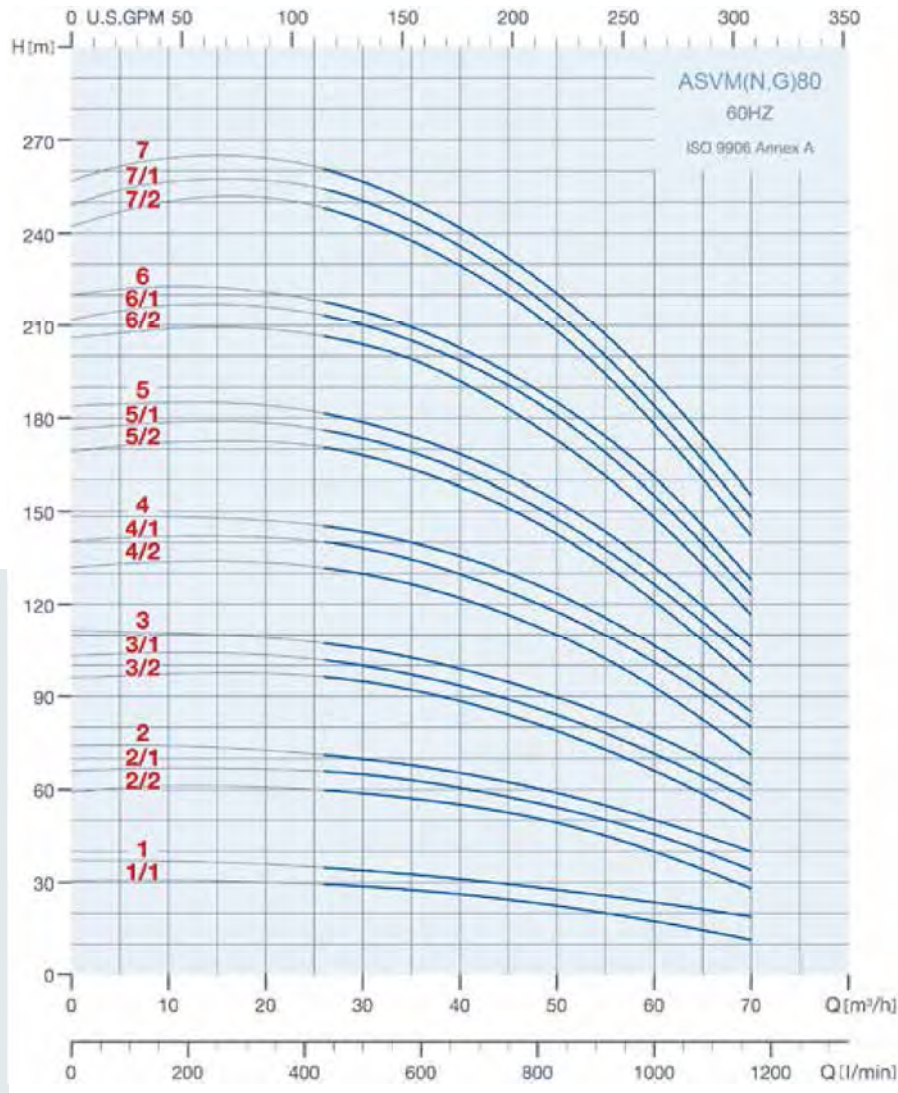


65



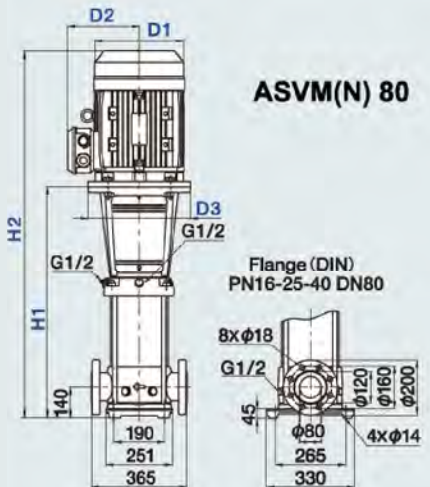
■ Dimensions and Weights

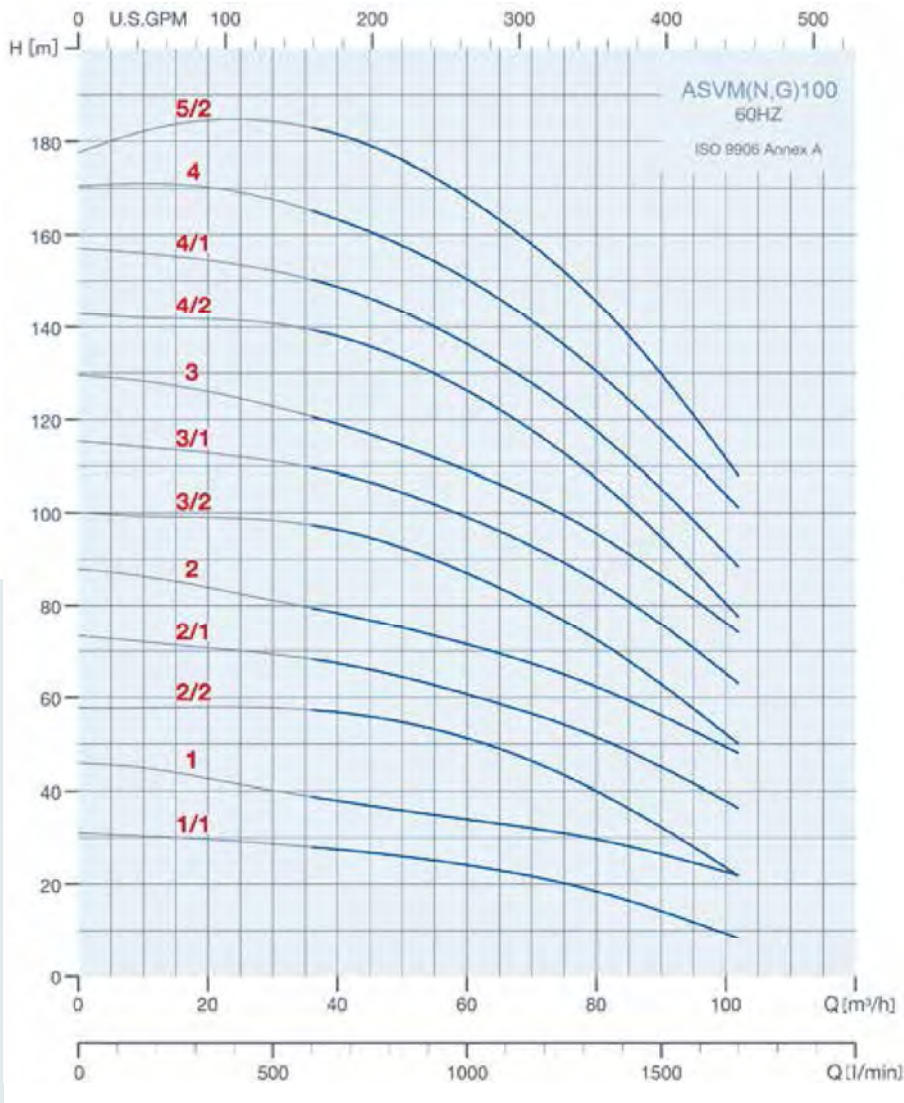
Model	P2 [kW]	ASVM(N), ASVMG			ASVM(N)		ASVMG		ASVM(N)	ASVMG
		D1	D2	D3	H1	H2	H1	H2	Net Weight [Kg]	
Dimension [mm]										
ASVM(N,G) 651/1-62.2	2.2	177	141	280	504	795	504	795	69	74
ASVM(N,G) 651-63.0	3.0	197	147	280	504	820	504	820	76	82
ASVM(N,G) 652/2-65.5	5.5	235	197	300	574	900	574	900	99	104
ASVM(N,G) 652/1-65.5	5.5	235	197	300	574	936	574	936	99	104
ASVM(N,G) 652-67.5	7.5	235	197	300	574	972	574	972	107	112
ASVM(N,G) 653/2-611	11	318	245	350	754	1259	754	1259	152	157
ASVM(N,G) 653-611	11	318	245	350	754	1259	754	1259	152	157
ASVM(N,G) 654/2-611	11	318	245	350	824	1329	824	1329	155	160
ASVM(N,G) 654-615	15	318	245	350	824	1334	824	1334	165	170
ASVM(N,G) 655/2-615	15	318	245	350	894	1404	894	1404	168	173
ASVM(N,G) 655-618	18.5	318	245	350	894	1444	894	1444	193	198
ASVM(N,G) 656/2-618	18.5	318	245	350	964	1514	964	1514	196	201
ASVM(N,G) 656-618	18.5	318	245	350	964	1514	964	1514	196	201
ASVM(N,G) 657/2-622	22	358	265	350	1034	1614	1034	1614	242	247
ASVM(N,G) 657-622	22	358	265	350	1034	1614	1034	1614	242	247
ASVM(N,G) 658/2-630	30	420	295	400	1104	1764	1104	1764	310	315
ASVM(N,G) 658-630	30	420	295	400	1104	1764	1104	1764	310	315
ASVM(N,G) 659/2-630	30	420	295	400	1174	1834	1174	1834	313	318
ASVM(N,G) 659-630	30	420	295	400	1174	1834	1174	1834	322	318
ASVM(N,G) 6510/2-630	30	420	295	400	1244	1904	1244	1904	316	321



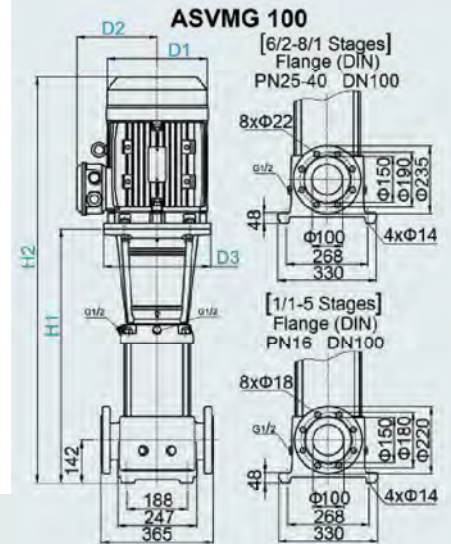
■ Dimensions and Weights

Model	P2 [kW]	ASVM(N), ASVMG			ASVM(N)		ASVMG		ASVM(N)	ASVMG
		D1	D2	D3	H1	H2	H1	H2	Net Weight [Kg]	
Dimension [mm]										
ASVM(N,G) 801/1-65.5	5.5	235	197	300	559	921	561	923	102	111
ASVM(N,G) 801-67.5	7.5	235	197	300	559	957	561	959	111	120
ASVM(N,G) 802/2-611	11	318	245	350	749	1254	751	1256	156	165
ASVM(N,G) 802/1-611	11	318	245	350	749	1254	751	1256	156	165
ASVM(N,G) 802-615	15	318	245	350	749	1259	751	1261	167	175
ASVM(N,G) 803/2-618	18.5	318	245	350	829	1379	831	1381	195	204
ASVM(N,G) 803/1-618	18.5	318	245	350	829	1379	831	1381	195	204
ASVM(N,G) 803-618	18.5	318	245	350	829	1379	831	1381	195	204
ASVM(N,G) 804/2-622	22	358	265	350	909	1489	911	1491	242	251
ASVM(N,G) 804/1-630	30	420	295	400	909	1569	911	1571	306	315
ASVM(N,G) 804-630	30	420	295	400	909	1569	911	1571	306	315
ASVM(N,G) 805/2-630	30	420	295	400	989	1649	911	1651	310	319
ASVM(N,G) 805/1-630	30	420	295	400	989	1649	911	1651	310	319
ASVM(N,G) 805-630	30	420	295	400	989	1649	911	1651	310	319
ASVM(N,G) 806/2-637	37	420	295	400	1069	1729	1071	1731	327	336
ASVM(N,G) 806/1-637	37	420	295	400	1069	1729	1071	1731	327	336
ASVM(N,G) 806-637	37	420	295	400	1069	1729	1071	1731	327	336
ASVM(N,G) 8007/2-645	45	470	325	450	1149	1839	1151	1841	389	398
ASVM(N,G) 8007/1-645	45	470	325	450	1149	1839	1151	1841	389	398
ASVM(N,G) 8007-645	45	470	325	450	1149	1839	1151	1841	389	398



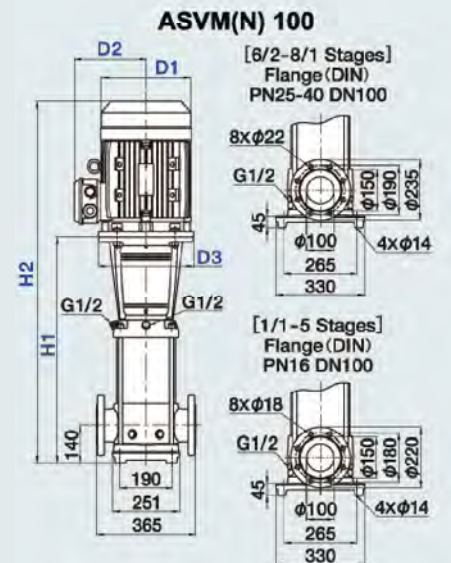


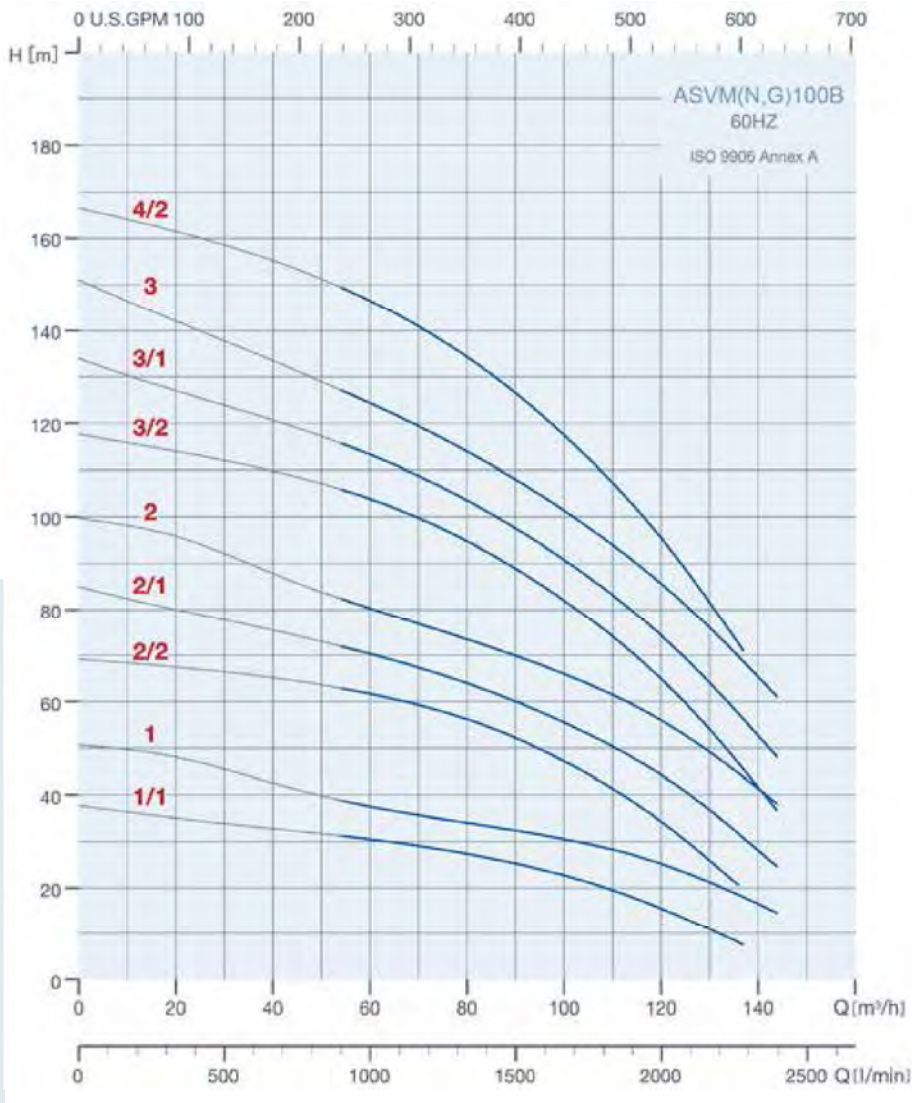
100



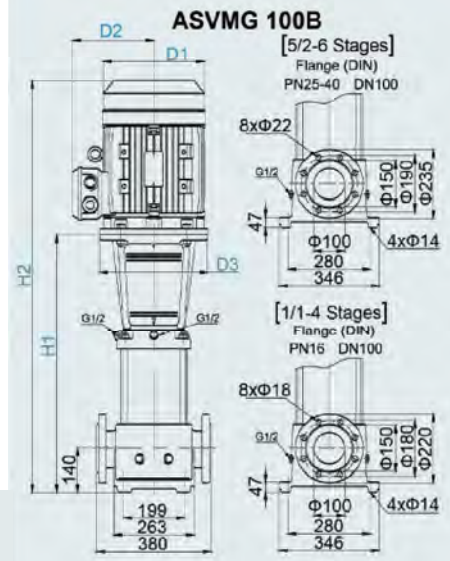
■ Dimensions and Weights

Model	P2 [kW]	ASVM(N), ASVMG			ASVM(N)		ASVMG		ASVM(N)	ASVMG
		D1	D2	D3	H1	H2	H1	H2	Net Weight [Kg]	
Dimension [mm]										
ASVM(N,G) 1001/1-67.5	7.5	235	197	300	563	961	563	961	107	114
ASVM(N,G) 1001-611	11	318	245	350	673	1178	673	1178	148	155
ASVM(N,G) 1002/2-615	15	318	245	350	756	1266	756	1266	162	169
ASVM(N,G) 1002/1-618	18.5	318	245	350	756	1306	756	1306	187	194
ASVM(N,G) 1002-622	22	358	265	350	756	1336	756	1336	230	237
ASVM(N,G) 1003/2-622	22	358	265	350	838	1418	838	1418	234	242
ASVM(N,G) 1003/1-630	30	420	295	400	838	1498	838	1498	299	306
ASVM(N,G) 1003-630	30	420	295	400	838	1498	838	1498	299	306
ASVM(N,G) 1004/2-637	37	420	295	400	921	1581	921	1581	316	323
ASVM(N,G) 1004/1-637	37	420	295	400	921	1581	921	1581	316	323
ASVM(N,G) 1004-645	45	470	325	450	925	1585	925	1585	374	381
ASVM(N,G) 1005/2-645	45	470	325	450	1007	1667	1007	1667	374	385



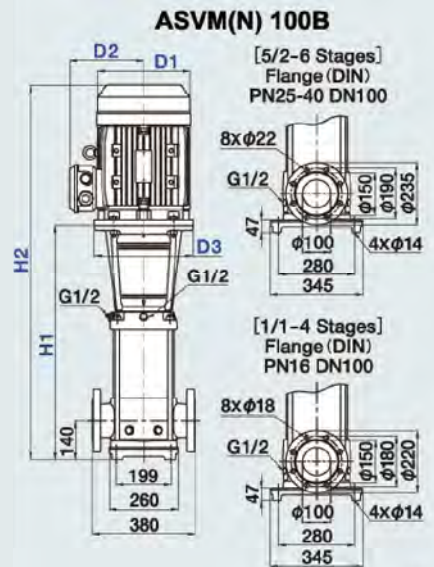


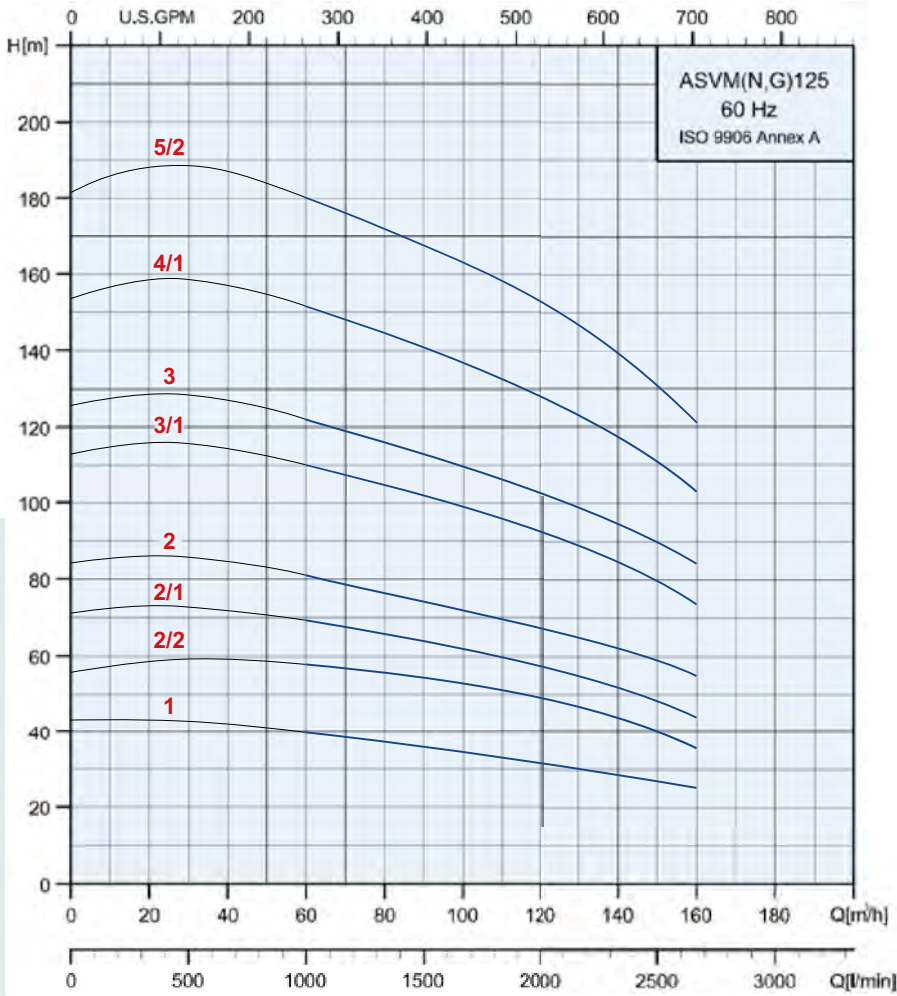
100B



■ Dimensions and Weights

Model	P2 [kW]	ASVM(N), ASVMG			ASVM(N)		ASVMG		ASVM(N)	ASVMG
		D1	D2	D3	H1	H2	H1	H2	Net Weight [Kg]	
Dimension [mm]										
ASVM(N,G) 100B1/1-611	11	318	245	350	686	1191	682	1187	159	169
ASVM(N,G) 100B1-615	15	318	245	350	686	1196	682	1192	169	179
ASVM(N,G) 100B2/2-618	18.5	318	245	350	778	1328	774	1324	199	209
ASVM(N,G) 100B2/1-622	22	358	265	350	778	1358	774	1354	242	252
ASVM(N,G) 100B2-630	30	420	295	400	778	1438	774	1434	307	317
ASVM(N,G) 100B3/2-637	37	420	295	400	870	1530	866	1526	325	335
ASVM(N,G) 100B3/1-637	37	420	295	400	870	1530	866	1526	325	335
ASVM(N,G) 100B3-645	45	470	325	450	870	1560	866	1556	383	393
ASVM(N,G) 100B4/2-645	45	470	325	450	962	1652	958	1648	390	400

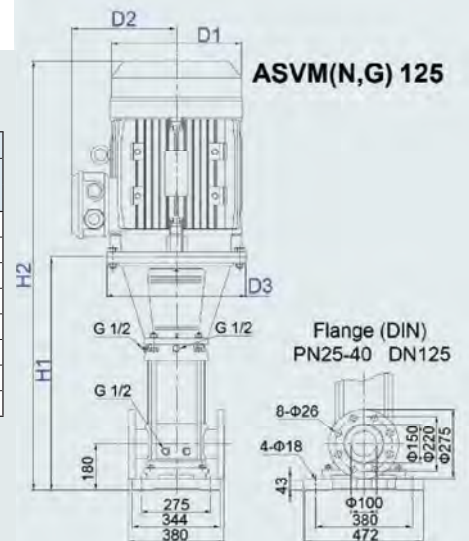


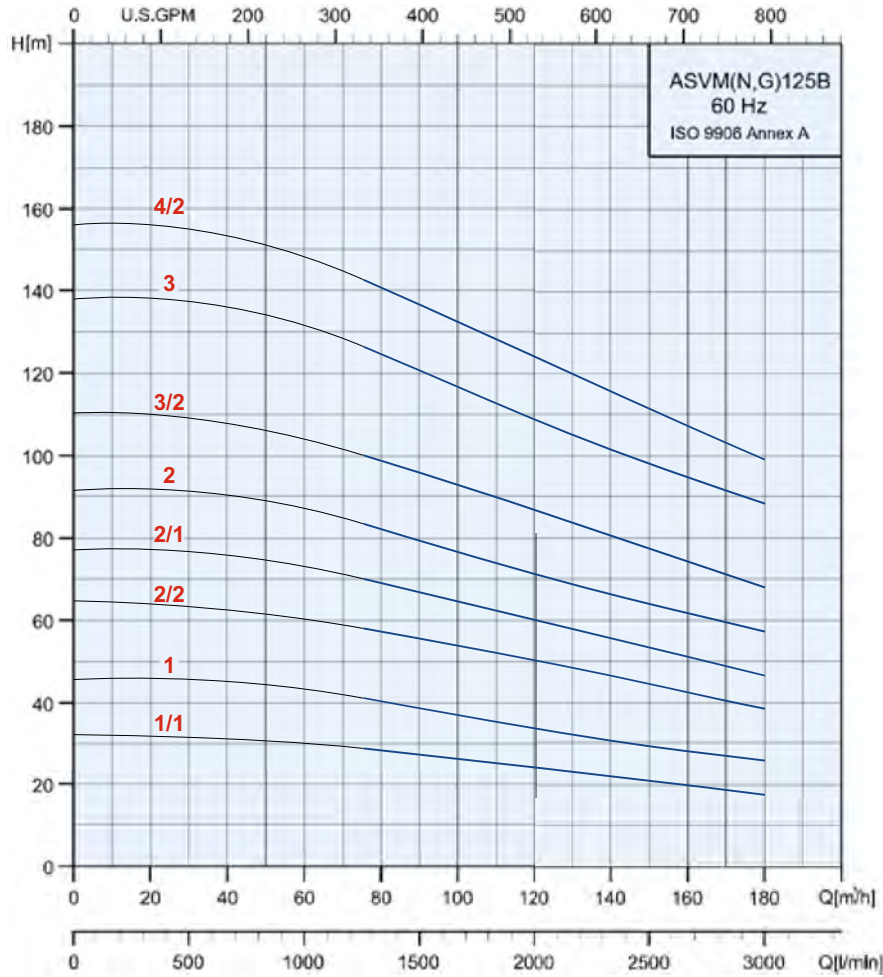


125

■ Dimensions and Weights

Model	P2 [kW]	ASVM(N), ASVMG			ASVM(N)		ASVMG		ASVM(N)	ASVMG
		D1	D2	D3	H1	H2	H1	H2	Net Weight [Kg]	
Dimension [mm]										
ASVM(N,G) 1251-618	18.5	318	245	350	837	1387	834	1384	215	235
ASVM(N,G) 1252/2-630	30	420	295	400	993	1653	990	1650	337	352
ASVM(N,G) 1252/1-630	30	420	295	400	993	1653	990	1650	337	353
ASVM(N,G) 1252-637	37	420	295	400	993	1653	990	1650	350	366
ASVM(N,G) 1253/1-645	45	470	325	450	1152	1842	1149	1839	418	434
ASVM(N,G) 1253-655	55	510	355	550	1178	1948	1175	1945	533	549
ASVM(N,G) 1254/1-675	75	580	410	550	1334	2179	1331	2176	706	721
ASVM(N,G) 1255/2-675	75	580	410	550	1489	2334	1486	2331	716	731

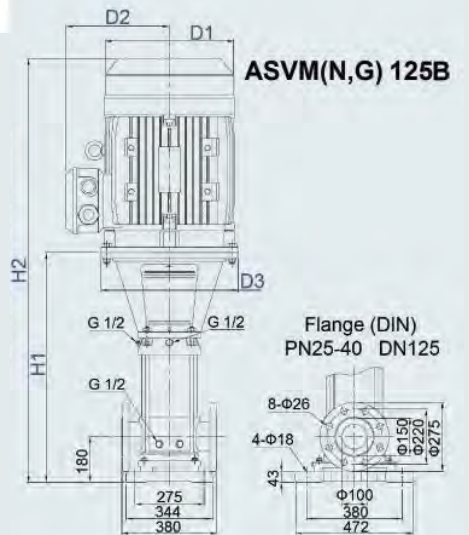




125B

■ Dimensions and Weights

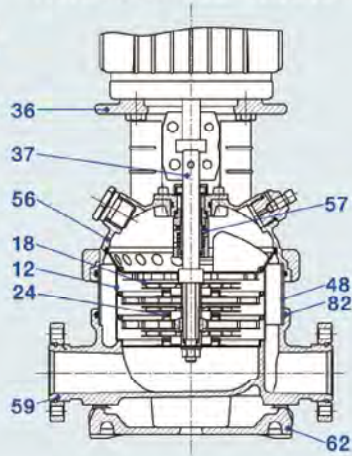
Model	P2 [kW]	ASVM(N), ASVMG			ASVM(N)		ASVMG		ASVM(N)	ASVMG
		D1	D2	D3	H1	H2	H1	H2	Net Weight [Kg]	
Dimension [mm]										
ASVM(N,G) 125B1/1-618	18.5	318	245	350	837	1387	834	1384	219	235
ASVM(N,G) 125B1-622	22	358	265	350	837	1417	834	1414	262	278
ASVM(N,G) 125B2/2-630	30	420	295	400	993	1653	990	1650	336	352
ASVM(N,G) 125B2/1-637	37	420	295	400	993	1653	990	1650	349	365
ASVM(N,G) 125B2-645	45	470	325	450	997	1687	994	1684	407	424
ASVM(N,G) 125B3/2-655	55	510	355	550	1178	1948	1175	1945	533	549
ASVM(N,G) 125B3-675	75	580	410	550	1178	2023	1175	2020	695	711
ASVM(N,G) 125B4/2-675	75	580	410	550	1334	2179	1331	2176	704	721



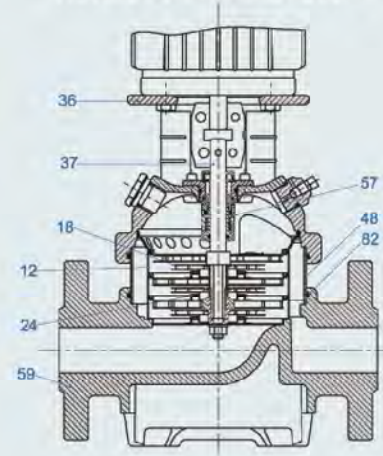
ASVM(N,G) 25L/25/32/40/50/50B

Sectional view and Materials

ASVM(N) 25L/25/32/40/50/50B



ASVMG 25L/25/32/40/50/50B

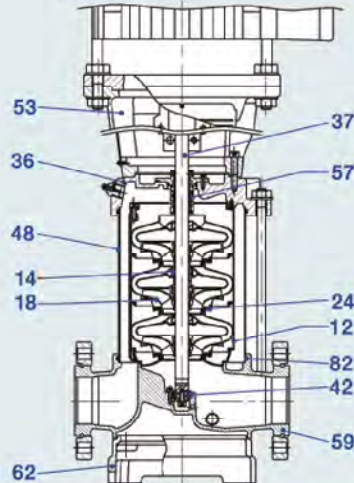


Pos.	Name	Material	ASVM 25L, 25, 32, 40, 50, 50B			ASVMN 25L, 25, 32, 40, 50, 50B			ASVMG 25L, 25, 32, 40, 50, 50B		
			Standard			Standard			Standard		
			Europe	USA	JIS	Europe	USA	JIS	Europe	USA	JIS
36	Pump head	Cast Iron	EN-GJS-450-10	ASTM65-45-12	FCD450	EN-GJS-450-10	ASTM65-45-12	FCD450	EN-GJL-200	ASTM 25B	FC200
56	Pump head cover	Stainless steel	1.4301	AISI 304	SCS13	1.4401	AISI 316	SCS14	NA		
18	Impeller	Stainless steel	1.4301	AISI 304	SUS304	1.4401	AISI 316	SUS316	1.4301	AISI 304	SUS304
37	Shaft	Stainless steel	1.4057	AISI 431	SUS431	1.4401	AISI 316	SUS316	1.4057	AISI 431	SUS431
48	Outer Sleeve	Stainless steel	1.4301	AISI 304	SUS304	1.4401	AISI 316	SUS316	1.4301	AISI 304	SUS304
82	O-ring for outer sleeve		EPDM								
12	Chamber	Stainless steel	1.4301	AISI 304	SUS304	1.4401	AISI 316	SUS316	1.4301	AISI 304	SUS304
24	Neck ring		PTFE								
59	Base	Stainless steel	1.4301	AISI 304	SCS13	1.4401	AISI 316	SCS14	NA		
		Cast Iron	NA						EN-GJL-200	ASTM 25B	FC200
62	Base plate	Cast Iron	EN-GJL-200	ASTM 25B	FC200	EN-GJL-200	ASTM 25B	FC200	NA		
57	Mechanical seal		Cartridge type SiC/SiC + Viton (Seal code : SQOV)								

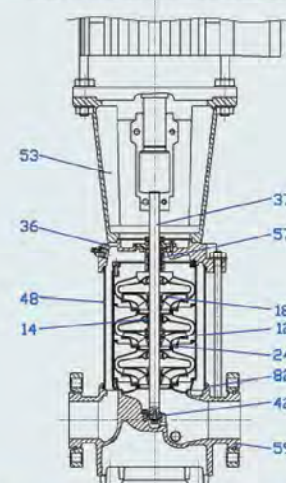
ASVM(N,G) 65/80/100/100B

Sectional view and Materials

ASVM(N) 65/80/100/100B



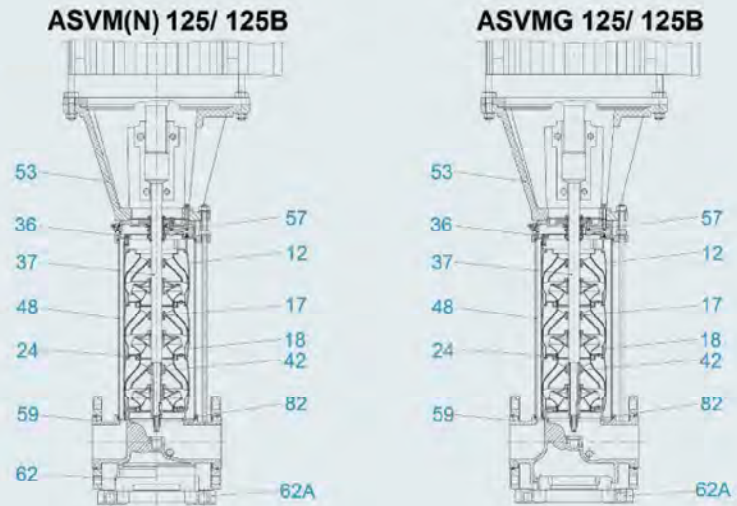
ASVMG 65/80/100/100B



Pos.	Name	Material	ASVM 65, 80, 100, 100B			ASVMN 65, 80, 100, 100B			ASVMG 65, 80, 100, 100B		
			Standard			Standard			Standard		
			Europe	USA	JIS	Europe	USA	JIS	Europe	USA	JIS
36	Pump head	Stainless steel Cast Iron	1.4301	AISI 304	SCS13	1.4401	AISI 316	SCS14	NA		
53	Motor Bracket	Cast Iron	EN-GJL-250	ASTM 35B	FC250	EN-GJL-250	ASTM 35B	FC250	EN-GJL-250	ASTM 35B	FC250
18	Impeller	Stainless steel	1.4301	AISI 304	SUS304	1.4401	AISI 316	SUS316	1.4301	AISI 304	SUS304
37	Shaft	Stainless steel	1.4057	AISI 431	SUS431	1.4401	AISI 316	SUS316	1.4057	AISI 431	SUS431
48	Outer Sleeve	Stainless steel	1.4301	AISI 304	SUS304	1.4401	AISI 316	SUS316	1.4301	AISI 304	SUS304
82	O-ring for outer sleeve		EPDM								
12	Chamber	Stainless steel	1.4301	AISI 304	SUS304	1.4401	AISI 316	SUS316	1.4301	AISI 304	SUS304
24	Neck ring		Carbon Fiber + POB + PTFE								
59	Base	Stainless steel	1.4301	AISI 304	SCS13	1.4401	AISI 316	SCS14	NA		
		Cast Iron	NA						EN-GJL-250	ASTM 35B	FC250
62	Base plate	Cast Iron	EN-GJL-250	ASTM 35B	FC250	EN-GJL-250	ASTM 35B	FC250	NA		
57	Mechanical seal		Cartridge type SiC/SiC + Viton (Seal code : SQQV)								
14	Bearing ring		Bronze			POB+Graphite+PTFE			Bronze		
42	Bottom bearing ring		Tungsten carbide / Tungsten carbide								

ASVM(N,G) 125/125B

Sectional view and Materials



Pos.	Name	Material	ASVM 125, 125B			ASVMN 125, 125B			ASVMG 125, 125B		
			Standard			Standard			Standard		
			Europe	USA	JIS	Europe	USA	JIS	Europe	USA	JIS
36	Pump head	Stainless steel	1.4301	AISI 304	SCS13	1.4401	AISI 316	SCS14	NA		
		Cast Iron	NA						EN-GJL-250	ASTM 35B	FC250
53	Motor Bracket(11kW ~ 45kW)	Cast Iron	EN-GJL-250	ASTM 35B	FC250	EN-GJL-250	ASTM 35B	FC250	EN-GJL-250	ASTM 35B	FC250
	Motor Bracket(55kW ~ 75kW)	Cast Iron	EN-GJS-450-10	ASTM 65-45-12	FCD450	EN-GJS-450-10	ASTM 65-45-12	FCD450	EN-GJS-450-10	ASTM 65-45-12	FCD450
17	Bearing ring		PTFE								
18	Impeller	Stainless steel	1.4301	AISI 304	SUS304	1.4401	AISI 316	SUS316	1.4301	AISI 304	SUS304
37	Shaft	Stainless steel	1.4057	AISI 431	SUS431	1.4401	AISI 316	SUS316	1.4057	AISI 431	SUS431
48	Outer Sleeve	Stainless steel	1.4301	AISI 304	SUS304	1.4401	AISI 316	SUS316	1.4301	AISI 304	SUS304
82	O-ring for outer sleeve		EPDM								
12	Chamber	Stainless steel	1.4301	AISI 304	SUS304	1.4401	AISI 316	SUS316	1.4301	AISI 304	SUS304
24	Neck ring		PTFE								
59	Base	Stainless steel	1.4301	AISI 304	SCS13	1.4401	AISI 316	SCS14	NA		
		Cast Iron	NA						EN-GJL-250	ASTM 35B	FC250
62	Base plate	Cast Iron	EN-GJS-450-10	ASTM 65-45-12	FCD450	EN-GJS-450-10	ASTM 65-45-12	FCD450	NA		
62A	Base plate	Cast Iron	EN-GJS-450-10	ASTM 65-45-12	FCD450	EN-GJS-450-10	ASTM 65-45-12	FCD450	EN-GJS-450-10	ASTM 65-45-12	FCD450
57	Mechanical seal		Cartridge type SiC/SiC + Viton (Seal code : SQQV)								
42	Bottom bearing ring		SiC / SiC								

Motor

Motor Type		Nominal current in [A]								
HP	KW	Pole	Flange	Frame	3~220V	3~255V	3~380V	3~440V		
0.5	0.37	2	B14	71A	1.7	1.7	1.1	1.1		
0.75	0.55			71B	2.6	2.4	1.5	1.4		
1.0	0.75			80A	3.1	2.9	1.8	1.7		
1.5	1.1			80B	4.8	4.5	2.8	2.6		
2.0	1.5					3~220V	3~277V	3~380V	3~480V	
						90S	6.0	6.2	3.5	3.6
3.0	2.2					90L	8.8	8.3	5.1	4.8
4.0	3.0					100L	11.7	10.9	6.8	6.3
5.5	4.0					112M	14.4	13.2	8.3	7.6
7.5	5.5					132S	20.9	20.7	12.1	12.0
10	7.5					132M	27.2	27.4	15.7	15.8
15	11							3~220V	3~380V	3~440V
						160M		37.5	22.7	18.8
20	15				B5	160M		50.0	28.9	25.0
25	18.5		160L			60.3	34.9	30.1		
30	22		180M			71.7	41.5	35.8		
40	30		200L			97.0	56.1	48.5		
50	37		200L			118.0	68.3	59.0		
60	45		225M			143.0	82.8	71.5		
75	55		250M			201.3	116.2	100.0		
100	75		280S				will advice	will advice	134.0	

Nominal current is for reference only

Motor Type				Mounting Dimension [mm]								
HP	KW	Pole	Flange	Frame	Fig	D	E	M	N	P	S	T
0.5	0.37	2	B14	71A	1	14 ^{+0.008} _{-0.003}	30	85	70	105	4-M6	2.5
0.75	0.55			71B	1	14 ^{+0.008} _{-0.003}	30	85	70	105	4-M6	2.5
1.0	0.75			80A	1	19 ^{+0.009} _{-0.004}	40	100	80	119	4-M6	3.0
1.5	1.1			80B	1	19 ^{+0.009} _{-0.004}	40	100	80	119	4-M6	3.0
2.0	1.5			90S	1	24 ^{+0.009} _{-0.004}	50	115	95	140	4-M8	3.0
3.0	2.2			90L	1	24 ^{+0.009} _{-0.004}	50	115	95	140	4-M8	3.0
4.0	3.0			100L	1	28 ^{+0.009} _{-0.004}	60	130	110	160	4-M8	3.5
5.5	4.0			112M	1	28 ^{+0.009} _{-0.004}	60	130	110	160	4-M8	3.5
7.5	5.5			132S	2	38 ^{+0.018} _{+0.002}	80	265	230	300	4-Φ14.5	4.0
10	7.5			132S	2	38 ^{+0.018} _{+0.002}	80	265	230	300	4-Φ14.5	4.0
15	11		160M	2	42 ^{+0.018} _{+0.002}	110	300	250	350	8-Φ18.5	5.0	
20	15		160M	2	42 ^{+0.018} _{+0.002}	110	300	250	350	8-Φ18.5	5.0	
25	18.5		160L	2	42 ^{+0.018} _{+0.002}	110	300	250	350	8-Φ18.5	5.0	
30	22		180M	2	48 ^{+0.018} _{+0.002}	110	300	250	350	8-Φ18.5	5.0	
40	30		200L	2	55 ^{+0.030} _{+0.011}	110	350	300	400	8-Φ18.5	5.0	
50	37		200L	2	55 ^{+0.030} _{+0.011}	110	350	300	400	8-Φ18.5	5.0	
60	45		225M	2	55 ^{+0.030} _{+0.011}	110	400	350	450	8-Φ18.5	5.0	
75	55		250M	2	60 ^{+0.030} _{+0.011}	140	500	450	550	8-Φ18.5	5.0	
100	75		280S	2	65 ^{+0.030} _{+0.011}	140	500	450	550	8-Φ18.5	5.0	

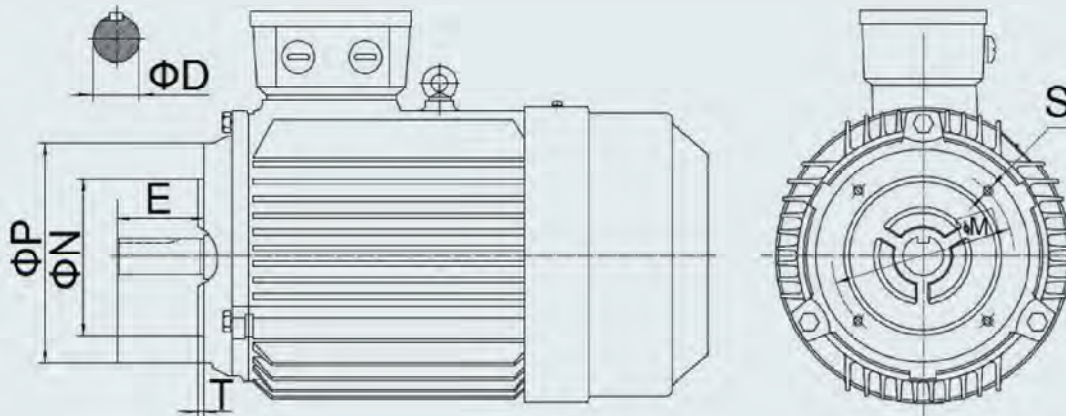


Fig 1

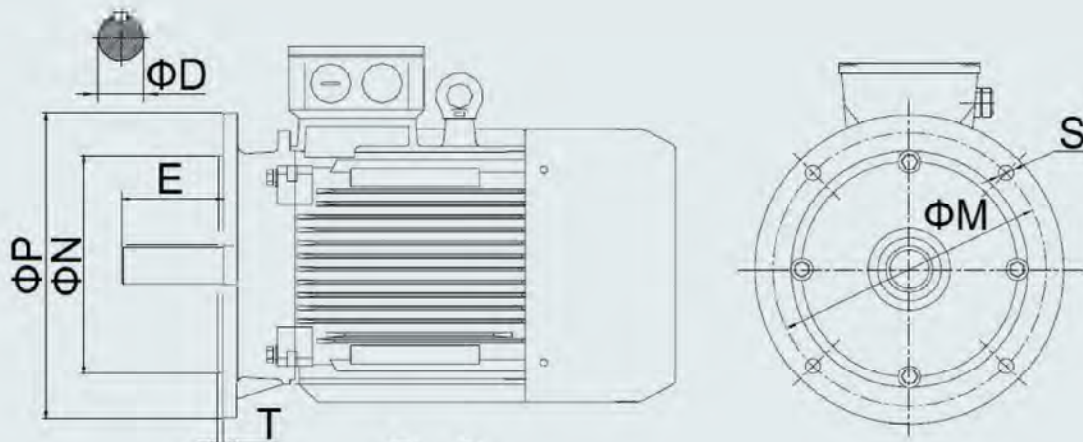


Fig 2



Variable Speed Systems

- **High energy-saving performance**
 - ✓ Estimated terminal pressure constant control
 - ✓ "Individual Inverter" (Variable Speed Drive) is equipped for each pump.
- **User-friendly and easy to maintain**
 - ✓ Simple design for panel display setting and adjustment of pressure can be easily operated by control panel.
 - ✓ Compact and lighter. The whole system can be installed at small place.

Direct booster units



Large bore 75 mm Cabinet
MC3 Type



New cabinet
MC4 Type



Installation type
NX-DFC Type

Surface water supply units



Estimated terminal pressure constant control water supply unit (inverter control)
NX-VFC Type



Constant-pressure water supply unit
NX-LAT Type



Self-priming auto reel
LAT III Type

High head high flow water supply units



ASVM-VFC Type

New Product

Submersible water supply units



Estimated terminal pressure constant control
SSTM-VFC Type

Pumping units



NX-LFT Type

TERAL

Pumps and Fans



In-Line Pumps



Horizontal Centrifugal Pumps



Freshwater & Sewage Submersible Pumps



Water Supply Units



Coolant Pumps



Ring Blowers



Industrial Fans

TERAL ASIA LIMITED

Room 1001, 10/F., Olympia Plaza, 255 King's Road, North Point, Hong Kong Tel: +852-2571-0282 Fax: +852-2571-0619 E-mail: sales@teralasia.com

TERAL THAI CO.,LTD.

TERAL TRADING & SERVICE CO.,LTD.

150 Moo 16 Udomsorasayuth Rd., T.Bangkrasan, A.Bangpa-In, Ayutthaya 13160 Thailand Tel:+66-3525-8543 Fax:+66-3525-849

TERAL GENERAL MACHINE (SHANGHAI) CO.,LTD.

No.285, Yuan Qu Road(N), Bei Qiao, Min Hang District, Shanghai 201109, China Tel.+86-21-6490-9128 Fax.+86-21-6490-9126

Affiliated Sister Company: Atai Fuji Motor Co., Ltd. (Ring Blowers & Coolant Pumps)

No.32, Sec2, Chang-Hsing Rd., Lu-Chu Hsiang, Taoyuan Hsien, Taiwan, R.O.C. Tel: +886-3-321-3030 Fax: +886-3-321-7890

TERAL MALAYSIA SDN BHD

L-1-1, Block L, No.2 Jalan PJU 1A/41B, Pusat Dagangan NZX, Ara Jaya, 47301 Petaling Jaya, Selangor D.E., Malaysia
Tel: +60-3-7885-8305 Fax: +60-3-7887-3305 E-mail: sales.my@teralasia.com

TERAL INC.

Head Office.230, Moriwaki, Miyuki-cho, Fukuyama-city, Hiroshima, 720-0003, Japan Tel.+81-84-955-1111 Fax.+81-84-955-5777
Tokyo Office.TERAL Koraku Bldg., 2-3-27, Koraku, Bunkyo-ku, Tokyo, 112-0004, Japan Tel.+81-3-3818-6890 Fax.+81-3-3818-6790

(Edition Date April 2014 by Teral Asia Limited)

www.teral.net