



New Design Coolant Pump “CX”

爽-Coolant Series

SUMITOMO PRECISION PRODUCTS CO., LTD.

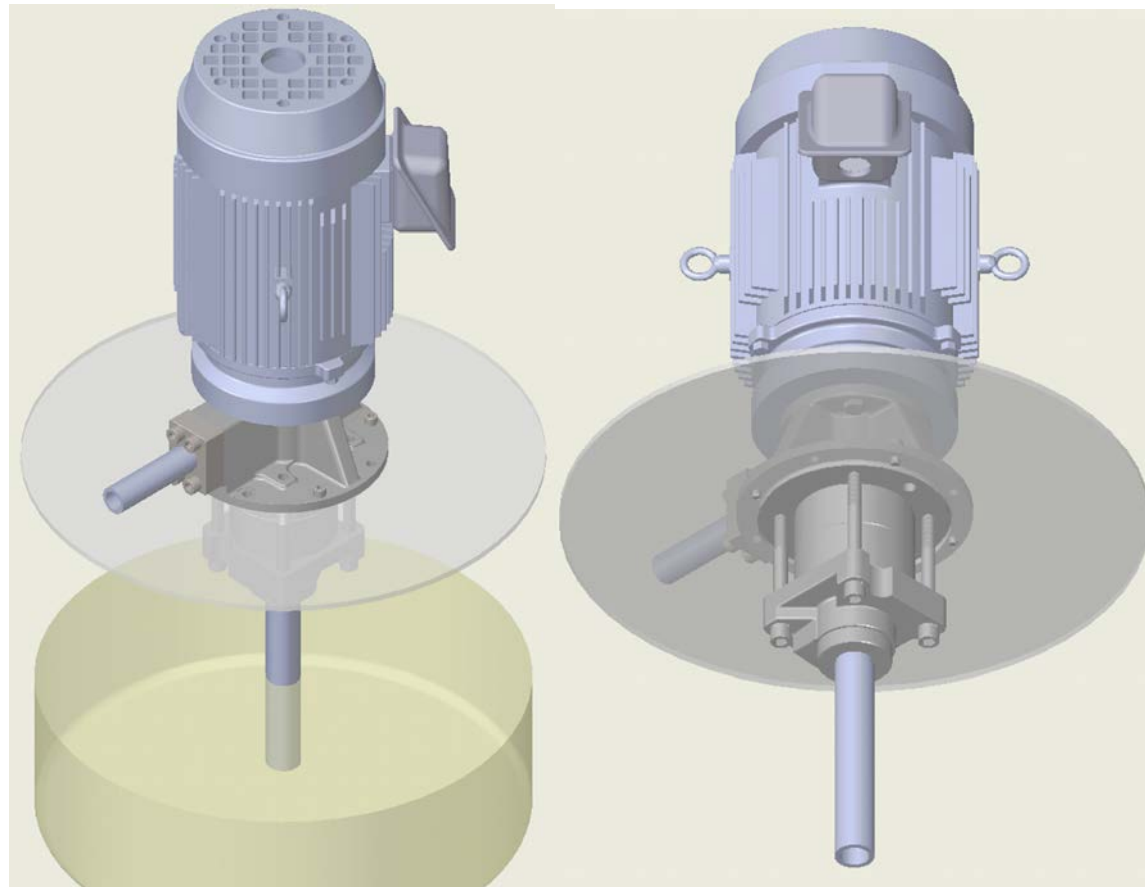
Industrial Hydraulic Department



SUMITOMO CONFIDENTIAL
NO.SMSH110506

The information in this document is the property of Sumitomo Precision Products Co., LTD.(SPP) and may not be duplicated, or disclosed to any third party, or used, for any purpose other than that for which it is supplied without the express written consent of SPP.

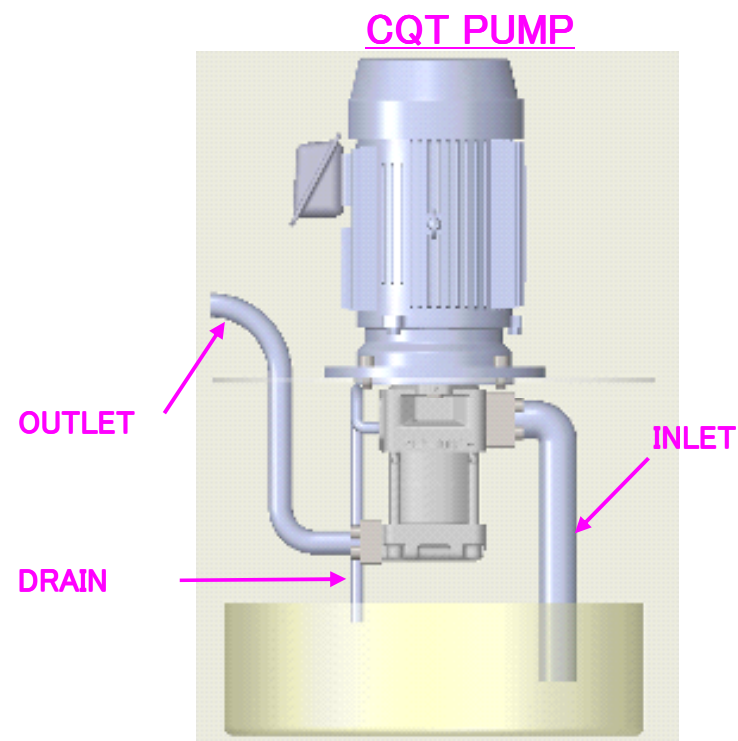
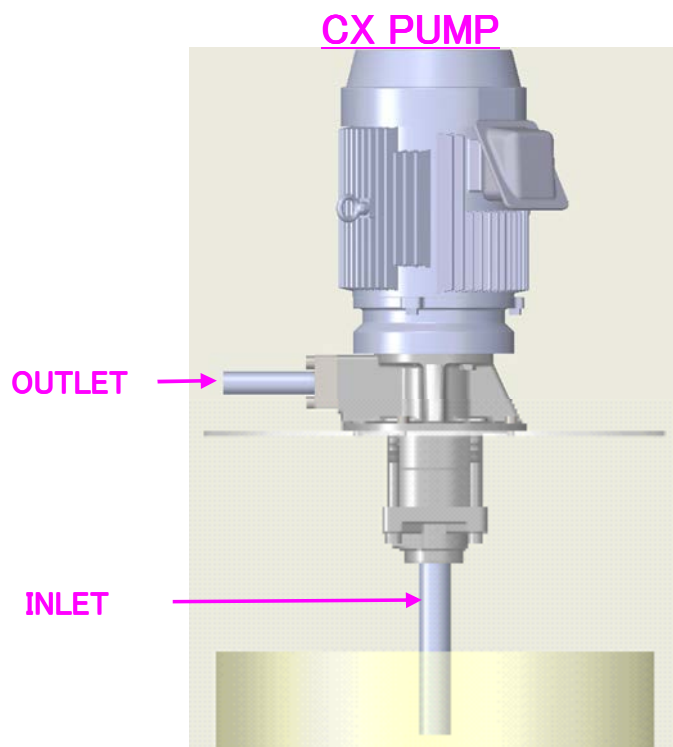
NEW DESIGN COOLANT PUMP “CX”.



CX Pump Features #1

<Simplified External Piping Structure >

- Lower inlet port and upper outlet port disposed on the upper surface of the top plate. ⇒ Reduction of man-hour.
- Change from external drain system to internal drain system. ⇒ Reductions of man-hour and piping cost.

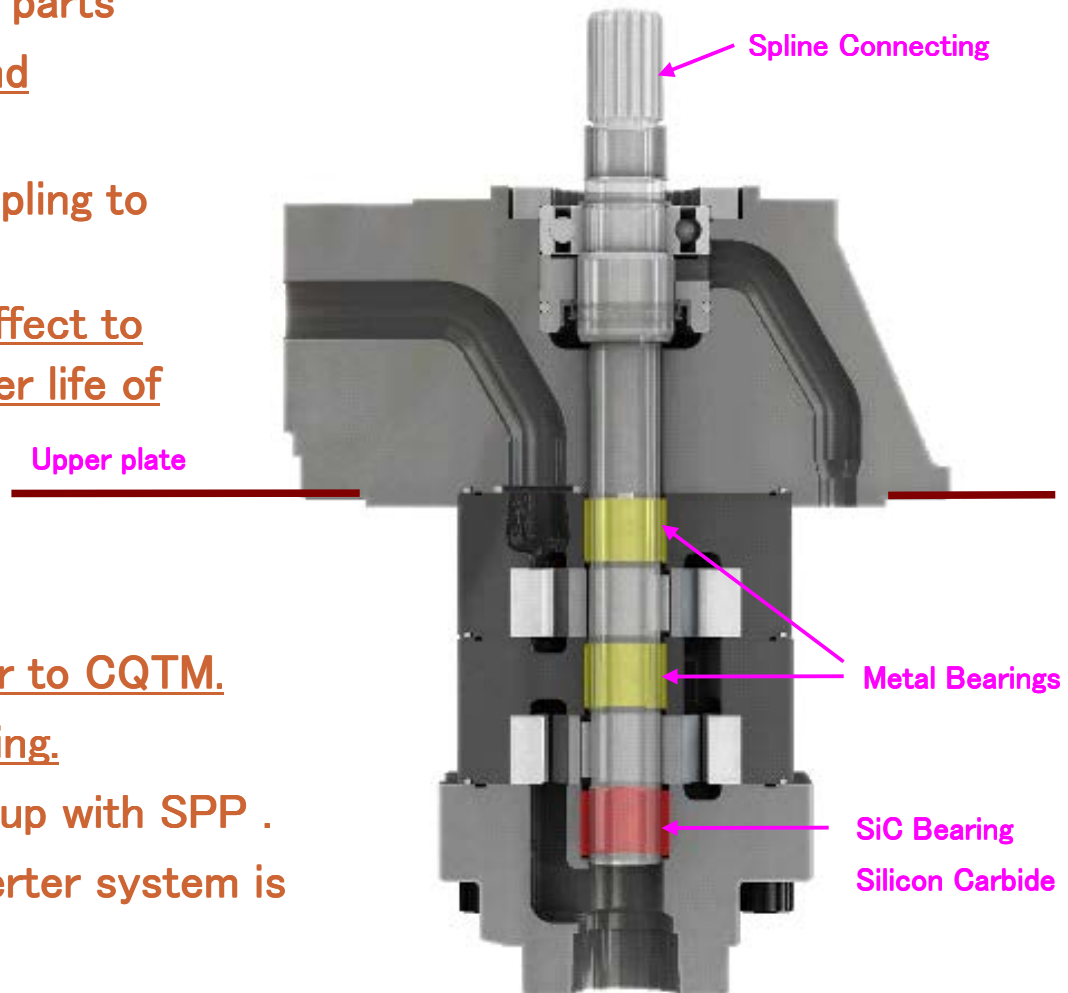


※A piping flange is not attached to the inlet port when the pump is delivered; it will be packed with an O-ring and a mounting bolt.

CX Pump Features #2

<Improved Durability >

- SiC bearing is adopted to one parts
⇒ Prevention of abrasion and resulting longer life of bearing.
- Structural change of joint coupling to upper part of the top plate.
⇒ Reduction of “Oil-mist” effect to spline shaft, and resulting longer life of the shaft



<Energy Saving.>

- Controllable in inverter, similar to CQTM.
⇒ Realization of energy saving.
- ✘ Unnecessary pressure pickup with SPP .
(Control in the existing inverter system is also available.)

<CX Pump Line Up>

Flow volume in L/min & gal(US)/min		Max Pressure		
50Hz	60Hz	<u>3.4Mpa (500psi)</u>	<u>6.9Mpa (1000psi)</u>	<u>9.8MPa (1420psi)</u>
6 (1.58GPM)	10 (2.64GPM)	CX32-10	CX33-0	CX34-10
10 (2.64GPM)	14 (3.69GPM)	CX32-12.5	CX33-12.5	CX34-12.5
13 (3.43GPM)	18 (4.75GPM)	CX32-16	CX33-16	CX34-16
17 (4.49GPM)	25 (6.6GPM)	CX42-20	CX43-20	CX44-20
25 (6.6GPM)	32 (8.45GPM)	CX42-25	CX43-25	CX44-25
32 (8.45GPM)	43 (11.35GPM)	CX42-31.5	CX43-31.5	CX44-31.5