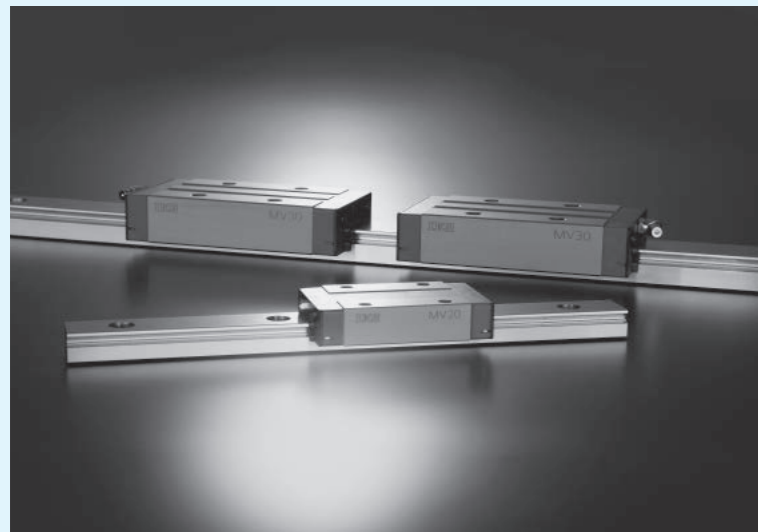


# C-Lube Linear Way ME Linear Way E

ME • LWE



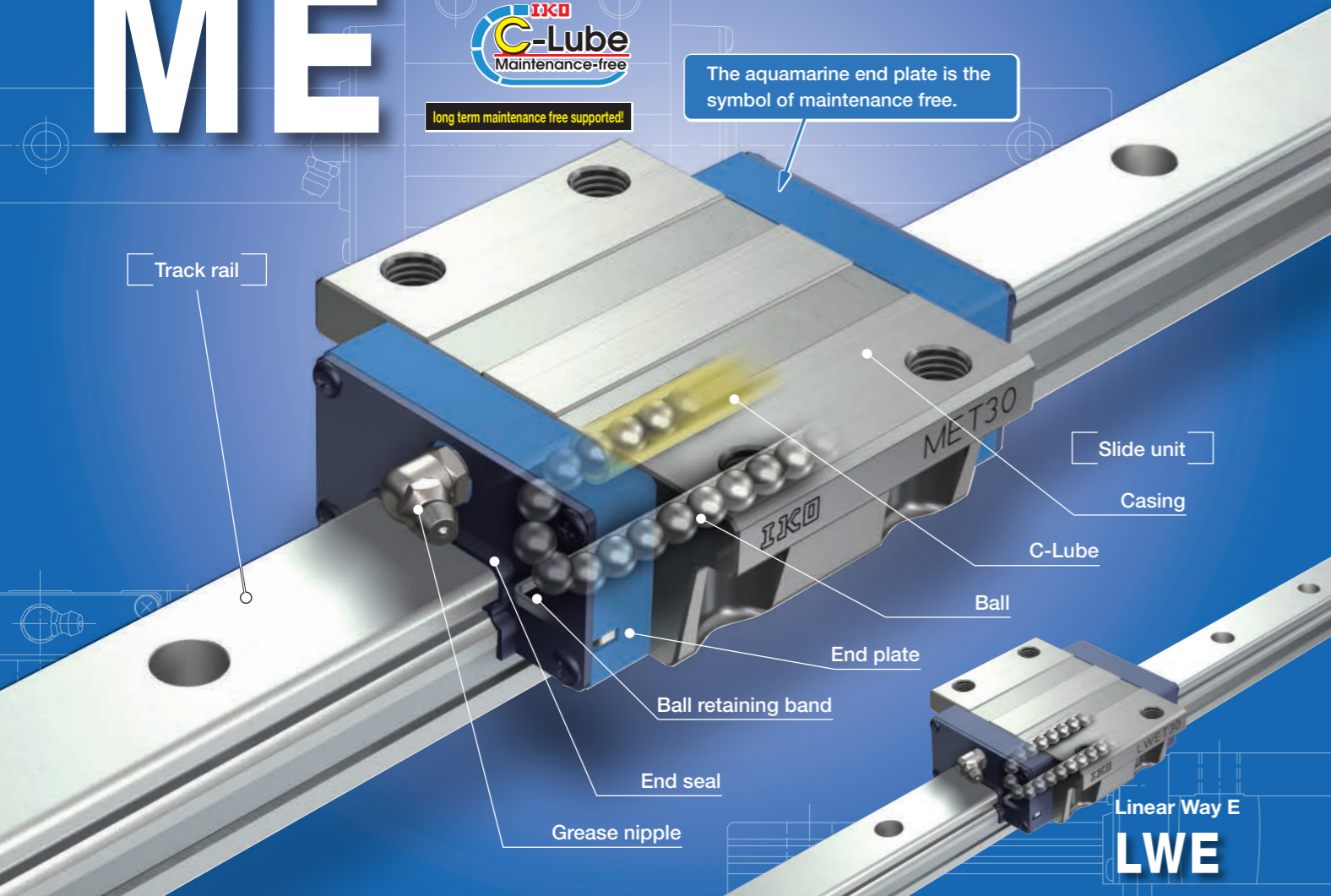
# C-Lube Linear Way ME

# ME



The aquamarine end plate is the symbol of maintenance free.

long term maintenance free supported!



## Points

### 1 Compact and versatile series with utility

Versatile linear motion rolling guide that has achieved utility pursuing compactness in every aspect.

### 2 Wide range of variations for your needs

For details [P.I-26](#)

As two shapes of slide unit, flange type and block type (with small width) and 3 types with different slide unit length with same section are available, you can select an optimal product for the specifications of your machine and device.

### 3 Stainless steel selections superior in corrosion resistance are listed on lineup.

For details [P.I-41](#)

Products made of stainless steel are highly resistant to corrosion, so that they are suitable for applications where rust prevention oil is not preferred, such as in cleanroom environment.

### 4 Achieved smooth and quiet motion Low Decibel Linear Way E

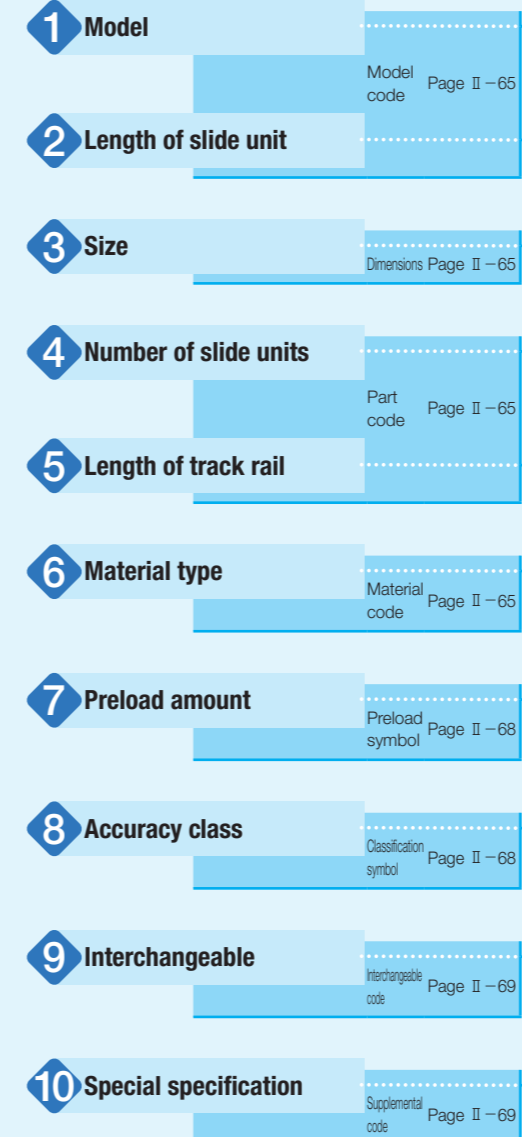
Due to resin separator built-in balls, Low Decibel Linear Way E achieved smooth and quiet motion by eliminating of direct contact of balls each other. This feature reduces noise level in factory and contributes to a human-friendly environment.

## Identification Number and Specification

### Example of an identification number

The specifications of ME and LWE (---Q) series are indicated by the identification number. Indicate the identification number, consisting of a model code, dimensions, a part code, a material code, a preload symbol, a classification symbol, an interchangeable code, and any supplemental codes for each specification to apply.

Non-interchangeable specification	1	2	3	4	5	1	6	7	8	9	10
Assembled set	ME	C	20	C1	R1000			T <sub>1</sub>	P		/FU
Interchangeable specification											
Single slide unit	ME	C	20	C1				T <sub>1</sub>	P	S1	/U
Single track rail (1)	LWE		20		R1000				P	S1	/F
Assembled set	ME	C	20	C1	R1000			T <sub>1</sub>	P	S1	/FU



Note (1) Indicate "LWE" for the model code of the single track rail regardless of the series and the combination of slide unit model.

ME · LWE

# Identification Number and Specification —Model · Length of Slide Unit · Size ·

<b>1 Model</b>	C-Lube Linear Way ME (ME series)	Flange type mounting from bottom : ME Flange type mounting from top : MET Block type mounting from top : MES
	Linear Way E <sup>(1)</sup> (LWE series)	Flange type mounting from bottom : LWE Flange type mounting from top : LWET Block type mounting from top : LWES
	Low Decibel Linear Way E <sup>(1)</sup> (LWE...Q series)	Flange type mounting from bottom : LWE...Q Flange type mounting from top : LWET...Q Block type mounting from top : LWES...Q
	For applicable models and sizes, see Table 1. Indicate "LWE" for the model code of single track rail regardless of the series and the slide unit model to be combined. Note <sup>(1)</sup> This model has no built-in C-Lube.	
<b>2 Length of slide unit</b>	Short : C Standard : No symbol Long : G	For applicable models and sizes, see Table 1.
<b>3 Size</b>	15,20,25,30,35,45	For applicable models and sizes, see Table 1.
<b>4 Number of slide units</b>	: C○	For an assembled set, indicates the number of slide units assembled on a track rail. For a single slide unit, only "C1" is specified.
<b>5 Length of track rail</b>	: R○	Indicate the length of track rail in mm. For standard and maximum lengths, see Tables 2.1 and 2.2.
<b>6 Material type</b>	High carbon steel made : No symbol Stainless steel made <sup>(2)</sup> : SL	For applicable models and sizes, see Table 1. Note <sup>(2)</sup> Mount a standard grease nipple (brass) on the stainless steel type, too. Stainless steel grease nipple is also available. If needed, please contact <b>IKO</b> .

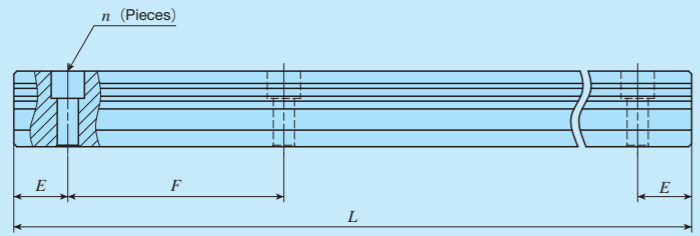
# Number of Slide Unit · Length of Track Rail · Material—

Table 1 Models and sizes of ME and LWE (...Q) series

Material	Shape	Slide unit Length	Model	Size						
				15	20	25	30	35	45	
High carbon steel made	Flange type mounting from bottom	Short	MEC LWEC	○	○	○	○	○	—	
		Standard	ME LWE LWE...Q	○	○	○	○	○	○	
		Long	MEG LWEG	○	○	○	○	—	—	
		Flange type mounting from top	Short	METC LWETC	○	○	○	○	○	—
			Standard	MET LWET LWET...Q	○	○	○	○	○	○
			Long	METG LWETG	○	○	○	○	—	—
	Block type mounting from top	Short	MESC LWESC	○	○	○	○	○	—	
		Standard	MES LWES LWES...Q	○	○	○	○	○	○	
		Long	MESG LWESG	○	○	○	○	—	—	
		Flange type mounting from bottom	Short	MEC...SL LWEC...SL	○	○	○	○	—	—
			Standard	ME...SL LWE...SL	○	○	○	○	—	—
			Long	MEG...SL LWEG...SL	○	○	○	○	—	—
Flange type mounting from top	Short		METC...SL LWETC...SL	○	○	○	○	—	—	
	Standard		MET...SL LWET...SL	○	○	○	○	—	—	
	Long		METG...SL LWETG...SL	○	○	○	○	—	—	
Block type mounting from top	Short	MESC...SL LWESC...SL	○	○	○	○	—	—		
	Standard	MES...SL LWES...SL	○	○	○	○	—	—		
	Long	MESG...SL LWESG...SL	○	○	○	○	—	—		

Remark: For the models indicated in  , the interchangeable specification is available.

Table 2.1 Standard and maximum lengths of high carbon steel track rails



Item	Identification number	ME 15	ME 20	ME 25	ME 30	ME 35	ME 45
		LWE 15 LWE 15...Q	LWE 20 LWE 20...Q	LWE 25 LWE 25...Q	LWE 30 LWE 30...Q	LWE 35 LWE 35...Q	LWE 45
Standard length $L$ (n)		160 ( 3)	220 ( 4)	220 ( 4)	280 ( 4)	280 ( 4)	570 ( 6)
		220 ( 4)	280 ( 5)	280 ( 5)	440 ( 6)	440 ( 6)	885 ( 9)
		280 ( 5)	340 ( 6)	340 ( 6)	600 ( 8)	600 ( 8)	1 200 (12)
		340 ( 6)	460 ( 8)	460 ( 8)	760 (10)	760 (10)	1 620 (16)
		460 ( 8)	640 (11)	640 (11)	1 000 (13)	1 000 (13)	2 040 (20)
		640 (11)	820 (14)	820 (14)	1 240 (16)	1 240 (16)	2 460 (24)
	820 (14)	1 000 (17)	1 000 (17)	1 640 (21)	1 640 (21)	2 985 (29)	
		1 240 (21)	1 240 (21)	2 040 (26)	2 040 (26)		
			1 600 (27)	2 520 (32)	2 520 (32)		
				3 000 (38)	3 000 (38)		
Pitch of mounting holes $F$		60	60	60	80	80	105
$E$ (1)		20	20	20	20	20	22.5
Standard $E$ dimensions (2)	or higher	6	8	9	9	10	12
	below	36	38	39	49	50	64.5
Maximum length (3)		1 600 (2 980)	2 200 (2 980)	2 980 (4 000)	3 000 (3 960)	3 000 (3 960)	2 985 (3 930)

unit: mm

Notes (1) When specifying a butt-jointing track rail (supplemental code "/T"), pay attention to the  $E$  dimension at the butt-jointing part.  
 (2) Not applicable to the track rail with female threads for bellows (supplemental code "/J").  
 (3) Length up to the value in ( ) can be produced. If needed, please contact **IKO**. The values in ( ) is not applicable to LWE...Q series.

Remarks 1. A typical identification number is indicated, but is applied to all models of the same size.  
 2. Indicate "LWE" for the model code of single track rail regardless of the series and the slide unit model to be combined.  
 3. If not directed,  $E$  dimensions for both ends will be the same within the range of standard  $E$  dimensions. To change the dimensions, indicate the specified rail mounting hole positions "/E" of special specification. For more information, see page III - 30.

Table 2.2 Standard and maximum lengths of stainless steel track rails unit: mm

Item	Identification number	ME 15...SL	ME 20...SL	ME 25...SL	ME 30...SL
		LWE 15...SL	LWE 20...SL	LWE 25...SL	LWE 30...SL
Standard length $L$ (n)		160 ( 3)	220 ( 4)	220 ( 4)	280 ( 4)
		220 ( 4)	280 ( 5)	280 ( 5)	440 ( 6)
		280 ( 5)	340 ( 6)	340 ( 6)	600 ( 8)
		340 ( 6)	460 ( 8)	460 ( 8)	760 (10)
		460 ( 8)	640 (11)	640 (11)	1 000 (13)
		640 (11)	820 (14)	820 (14)	
	820 (14)	1 000 (17)	1 000 (17)		
Pitch of mounting holes $F$		60	60	60	80
$E$ (1)		20	20	20	20
Standard $E$ dimensions (2)	or higher	6	8	9	9
	below	36	38	39	49
Maximum length (3)		1 200 (1 600)	1 200 (1 960)	1 200 (1 960)	1 200 (1 960)

Notes (1) When specifying a butt-jointing track rail (supplemental code "/T"), pay attention to the  $E$  dimension at the butt-jointing part.  
 (2) Not applicable to the track rail with female threads for bellows (supplemental code "/J").  
 (3) Length up to the value in ( ) can be produced. If needed, please contact **IKO**.

Remarks 1. A typical identification number is indicated, but is applied to all models of the same size.  
 2. Indicate "LWE" for the model code of single track rail regardless of the series and the slide unit model to be combined.  
 3. If not directed,  $E$  dimensions for both ends will be the same within the range of standard  $E$  dimensions. To change the dimensions, indicate the specified rail mounting hole positions "/E" of special specification. For more information, see page III - 30.

7 Preload amount			
Clearance	: Tc	Specify this item for an assembled set or a single slide unit.	
Standard	: No symbol	For details of the preload amount, see Table 3.	
Light preload	: T1	For applicable combinations of accuracy class and preload amount, see Table 4.	
Medium preload	: T2		

8 Accuracy class			
Ordinary	: No symbol	For interchangeable specification products, assemble a slide unit and a track rail of the same accuracy class.	
High	: H	For details of accuracy class, see Table 5.	
Precision	: P		
Super precision	: SP	For applicable combinations of accuracy class and preload amount, see Table 4.	

Table 3 Preload amount

Preload type	Item	Preload symbol	Preload amount N	Operational conditions
Clearance		Tc	0 (1)	• Very light motion • To absorb slight errors
Standard		(No symbol)	0 (2)	• Light and precise motion
Light preload		T1	0.02C <sub>0</sub>	• Almost no vibrations • Load is evenly balanced • Light and precise motion
Medium preload		T2	0.05C <sub>0</sub>	• Medium vibration • Medium overhung load

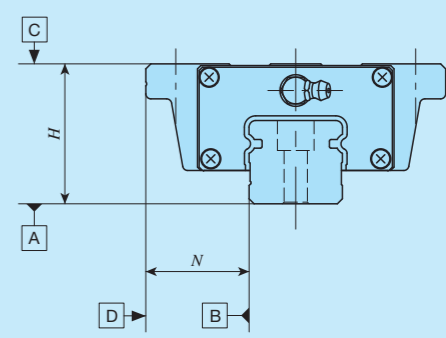
Notes (1) Clearance of about 10 μm  
 (2) Indicates zero or minimal amount of preload  
 Remark: C<sub>0</sub> indicates the basic static load rating.

Table 4 Combination of accuracy class and preload

Preload type (preload symbol)	Classification (classification symbol)			
	Ordinary (No symbol)	High (H)	Precision (P)	Super precision (SP)
Clearance (Tc) (1)	○	—	—	—
Standard (no symbol)	○	○	○	○
Light preload (T1)	—	○	○	○
Medium preload (T2) (1)	—	○	○	○

Note (1) Not applicable to LWE...Q series.  
 Remark: The mark  indicates that interchangeable specification products are available.

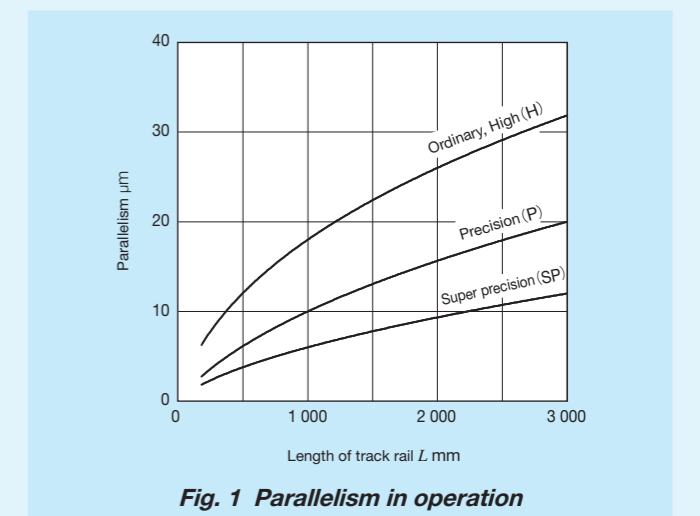
Table 5 Tolerance and allowance



Item	Class (classification symbol)	Tolerance and allowance			
		Ordinary (No symbol)	High (H)	Precision (P)	Super precision (SP)
Dim. $H$ tolerance		±0.080	±0.040	±0.020	±0.010
Dim. $N$ tolerance		±0.100	±0.050	±0.025	±0.015
Dim. variation of $H$ (1)		0.025	0.015	0.007	0.005
Dim. variation of $N$ (1)		0.030	0.020	0.010	0.007
Dim. variation of $H$ for multiple assembled sets (2)		0.045	0.035	0.025	—
Parallelism in operation of the slide unit C surface to A surface		See Fig. 1.			
Parallelism in operation of the slide unit D surface to B surface		See Fig. 1.			

unit: mm

Notes (1) It means the size variation between slide units mounted on the same track rail.  
 (2) Applicable to the interchangeable specification.



<b>9</b> Interchangeable	S1 specification : S1	This is specified for the interchangeable specifications. Assemble a track rail and a slide unit with the same interchangeable code. Performance and accuracy of "S1" and "S2" are the same. For applicable models and sizes, see Table 1. "No symbol" is indicated for non-interchangeable specification.
	S2 specification : S2	
	Non-interchangeable specification : No symbol	

<b>10</b> Special specification	/A, /BS, /D, /E, /F, /I, /JO, /LO, /LFO, /MA, /M4, /N, /Q, /RE, /T, /U, /VO, /WO, /YO, /ZO	For applicable special specifications, see Tables 6.1, 6.2, 6.3, and 6.4. For combination of multiple special specifications, see Table 7. For details of special specifications, see page III-29.

**Table 6.1 Application of special specifications (Interchangeable specification, single slide unit)**

Special specification	Supplemental code	Size					
		15	20	25	30	35	45
Female threads for bellows <sup>(1)</sup>	/JO	○	○	○	○	○	○
No end seal	/N	○	○	○	○	○	○
With C-Lube plate <sup>(2)</sup>	/Q	○	○	○	○	○	○
Special environment seal <sup>(2)</sup>	/RE	○	○	○	○	×	×
Under seal	/U	○	○	○	○	○	○
Double end seals	/VO	○	○	○	○	○	○
Scrapers	/ZO	○	○	○	○	○	○

Notes <sup>(1)</sup> Not applicable to stainless steel made products.  
<sup>(2)</sup> Applicable to LWE series.

**Table 6.2 Application of special specifications (Interchangeable specification, single track rail)**

Special specification	Supplemental code	Size					
		15	20	25	30	35	45
Specified rail mounting hole positions	/E	○	○	○	○	○	○
Caps for rail mounting holes	/F	○	○	○	○	○	○
Female threads for bellows <sup>(1)</sup>	/JO	○	○	○	○	○	○
Black chrome surface treatment	/LR	○	○	○	○	○	○
With track rail mounting bolt	/MA	○	○	○	○	○	○
Changed size of mounting holes	/M4	○	×	×	×	×	×
Butt-jointing track rails	/T	○	○	○	○	○	○

Note <sup>(1)</sup> Not applicable to stainless steel made products.

**Table 6.3 Application of special specifications (Interchangeable specification, assembled set)**

Special specification	Supplemental code	Size					
		15	20	25	30	35	45
Stainless steel end plate <sup>(1)</sup>	/BS	○	○	○	○	×	×
Opposite reference surfaces arrangement	/D	○	○	○	○	○	○
Specified rail mounting hole positions	/E	○	○	○	○	○	○
Caps for rail mounting holes	/F	○	○	○	○	○	○
Female threads for bellows <sup>(2)</sup>	/JO	○	○	○	○	○	○
Black chrome surface treatment	/LO	○	○	○	○	○	○
Fluorine black chrome surface treatment	/LFO	○	○	○	○	○	○
With track rail mounting bolt	/MA	○	○	○	○	○	○
Changed size of mounting holes	/M4	○	×	×	×	×	×
No end seal	/N	○	○	○	○	○	○
With C-Lube plate <sup>(1)</sup>	/Q	○	○	○	○	○	○
Special environment seal <sup>(1)</sup>	/RE	○	○	○	○	×	×
Butt-jointing track rails	/T	○	○	○	○	○	○
Under seal	/U	○	○	○	○	○	○
Double end seals	/VO	○	○	○	○	○	○
Specified grease <sup>(3)</sup>	/YO	○	○	○	○	○	○
Scrapers	/ZO	○	○	○	○	○	○

Notes <sup>(1)</sup> Applicable to LWE series.  
<sup>(2)</sup> Not applicable to stainless steel made products.  
<sup>(3)</sup> ME series is applicable only to /YCG.

**Table 6.4 Application of special specifications (Non-interchangeable specification)**

Special specification	Supplemental code	Size					
		15	20	25	30	35	45
Butt-jointing track rails <sup>(1)</sup>	/A	○	○	○	○	○	○
Stainless steel end plate <sup>(2)</sup>	/BS	○	○	○	○	×	×
Opposite reference surfaces arrangement	/D	○	○	○	○	○	○
Specified rail mounting hole positions	/E	○	○	○	○	○	○
Caps for rail mounting holes	/F	○	○	○	○	○	○
Inspection sheet	/I	○	○	○	○	○	○
Female threads for bellows	/JO	○	○	○	○	○	○
Black chrome surface treatment	/LO	○	○	○	○	○	○
Fluorine black chrome surface treatment	/LFO	○	○	○	○	○	○
With track rail mounting bolt	/MA	○	○	○	○	○	○
Changed size of mounting holes	/M4	○	×	×	×	×	×
No end seal <sup>(1)</sup>	/N	○	○	○	○	○	○
With C-Lube plate <sup>(3)</sup>	/Q	○	○	○	○	○	○
Special environment seal <sup>(2)</sup>	/RE	○	○	○	○	×	×
Under seal <sup>(1)</sup>	/U	○	○	○	○	○	○
Double end seals	/VO	○	○	○	○	○	○
A group of multiple assembled sets	/WO	○	○	○	○	○	○
Specified grease <sup>(4)</sup>	/YO	○	○	○	○	○	○
Scrapers	/ZO	○	○	○	○	○	○

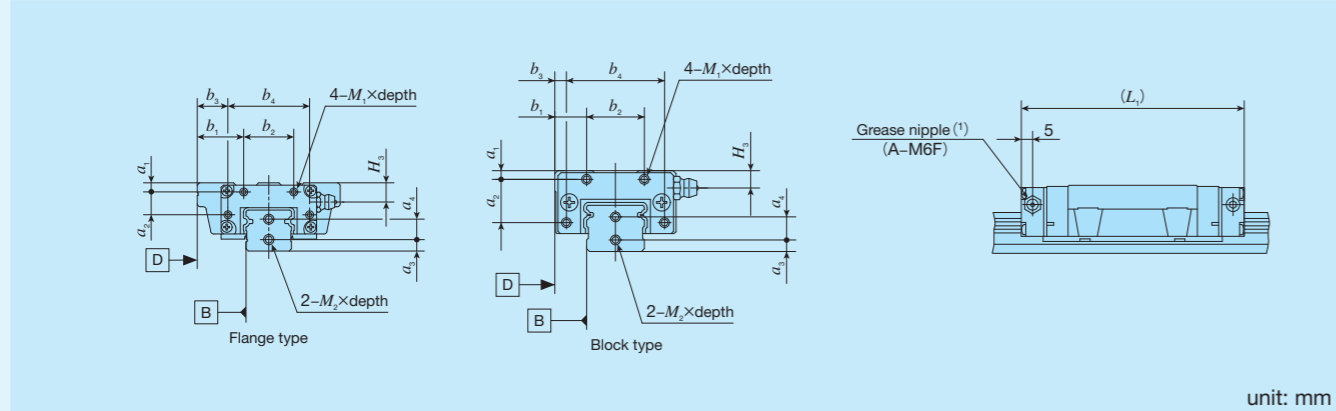
Notes <sup>(1)</sup> Not applicable to LWE...Q series.  
<sup>(2)</sup> Applicable to LWE series.  
<sup>(3)</sup> Applicable to LWE (...Q) series. /YCG is applicable to ME series.  
<sup>(4)</sup> ME series is applicable only to /YCG.

**Table 7 Combination of supplemental codes**

BS	○																								
D	○	○																							
E	—	○	—																						
F	○	○	○	○																					
I	○	○	○	○	○																				
J	○	○	○	○	○	○																			
L	○	○	○	○	○	○	○																		
LF	○	○	○	○	○	○	○	○																	
MA	○	○	○	○	○	○	○	○	○																
M4	○	○	○	○	○	○	○	○	○	○	○														
N	○	○	○	○	○	○	○	○	○	○	○	○													
Q	○	○	○	○	○	○	○	○	○	○	○	○	○												
RE	○	○	○	○	○	○	○	○	○	○	○	○	○	○											
T	—	○	○	○	○	○	○	○	○	○	○	○	○	○											
U	○	○	○	○	○	○	○	○	○	○	○	○	○	○	○										
V	○	○	○	○	○	○	○	○	○	○	○	○	○	○	○	○									
W	○	○	○	○	○	○	○	○	○	○	○	○	○	○	○	○	○								
Y	○	○	○	○	○	○	○	○	○	○	○	○	○	○	○	○	○	○							
Z	○	○	○	○	○	○	○	○	○	○	○	○	○	○	○	○	○	○	○	○	○	○	○	○	○
	A	BS	D	E	F	I	J	L	LF	MA	M4	N	Q	RE	T	U	V	W	Y						

Note <sup>(1)</sup> When combining "/MA" and "/M4", indicate "/MA4".  
Remarks 1. The combination of "—" shown in the table is not available.  
2. Contact **IKO** for the combination of the interchangeable specification marked with ●.  
3. When using multiple types for combination, please indicate by arranging the symbols in alphabetical order.

Table 8 Dimension of female threads for bellows (Supplemental code Single unit: /J Assembled set: /J /JJ)



unit: mm

Identification number			Slide unit							Track Rail			
			a <sub>1</sub>	a <sub>2</sub>	b <sub>1</sub>	b <sub>2</sub>	b <sub>3</sub>	b <sub>4</sub>	M <sub>1</sub> ×depth	L <sub>1</sub> ( <sup>2</sup> )	H <sub>1</sub>	a <sub>3</sub>	a <sub>4</sub>
ME(T)C 15	LWE(T)C 15	—	3	12	18	12	28	M3×6	58	5.7	4	7	M3×6
ME(T) 15	LWE(T) 15	LWE(T) 15...Q			74								
ME(T)G 15	LWE(T)G 15	—			87								
MESC 15	LWESC 15	—	3	15	9	3	34	M3×6	58	6	4	8	M3×6
MES 15	LWES 15	LWES 15...Q			74								
MESG 15	LWESG 15	—			87								
ME(T)C 20	LWE(T)C 20	—	3.5	17	19.5	12.5	40	M3×6	64	7	5	9	M4×8
ME(T) 20	LWE(T) 20	LWE(T) 20...Q			83								
ME(T)G 20	LWE(T)G 20	—			99								
MESC 20	LWESC 20	—	5	17	11	4	50	M3×6	64	11	6	14	M4×8
MES 20	LWES 20	LWES 20...Q			83								
MESG 20	LWESG 20	—			99								
ME(T)C 25	LWE(T)C 25	—	5	17	23.5	16.5	50	M3×6	76	11	6	14	M4×8
ME(T) 25	LWE(T) 25	LWE(T) 25...Q			100								
ME(T)G 25	LWE(T)G 25	—			119								
MESC 25	LWESC 25	—	5	17	11	4	50	M3×6	76	11	6	14	M4×8
MES 25	LWES 25	LWES 25...Q			100								
MESG 25	LWESG 25	—			119								
ME(T)C 30	LWE(T)C 30	—	5	17	17	28	50	M3×6	83	11	6	14	M4×8
ME(T) 30	LWE(T) 30	—			112								
—	—	LWE(T) 30...Q			111								
ME(T)G 30	LWE(T)G 30	—	5	17	17	28	50	M3×6	144	11	6	14	M4×8
MESC 30	LWESC 30	—			83								
MES 30	LWES 30	—			112								
—	—	LWES 30...Q	5	17	17	13	50	M3×6	112	11	6	14	M4×8
MESG 30	LWESG 30	—			111								
MESG 30	LWESG 30	—			144								
ME(T)C 35	LWE(T)C 35	—	6	20	30	20	60	M3×6	93	13	7	15	M4×8
ME(T) 35	LWE(T) 35	—			126								
—	—	LWE(T) 35...Q			125								
MESC 35	LWESC 35	—	6	20	15	5	60	M3×6	93	13	7	15	M4×8
MES 35	LWES 35	—			126								
—	—	LWES 35...Q			125								
ME(T) 45	LWE(T) 45	—	7	26	35	23	74	M4×8	138	15	8	19	M5×10
MES 45	LWES 45	—			18	6			125				

Notes (1) The specification and mounting positions of grease nipple are different from those of the standard specification product. Provided grease nipple for size 15 models is NPB2 type (special specification).  
For details of dimensions, please contact **IKO**

(2) Dimensions of the specification that female threads for bellows are fitted to both ends of the slide unit are indicated.

Remark: This is also applicable to stainless steel models of the same size.

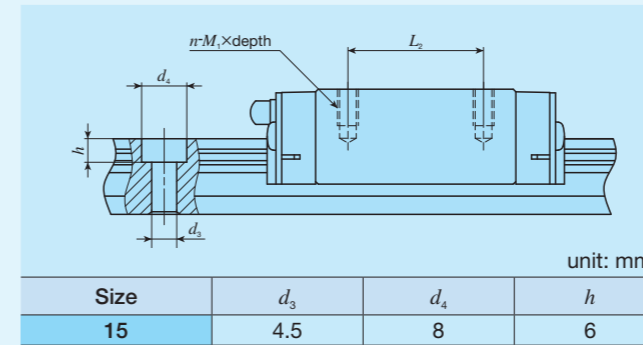
Table 9 Track rail mounting bolt size (Supplemental code /MA)

Size	Bolt size for track rail
15	M 3×16 M 4×16(1)
20	M 5×16
25	M 6×20
30	M 6×25
35	M 8×30
45	M10×35

Note (1) Applicable to the track rail of supplemental code "/M4" of special specification.

Remarks 1. Hexagon socket head bolts equivalent to JIS B 1176  
2. For stainless steel model, stainless steel made bolts are appended.

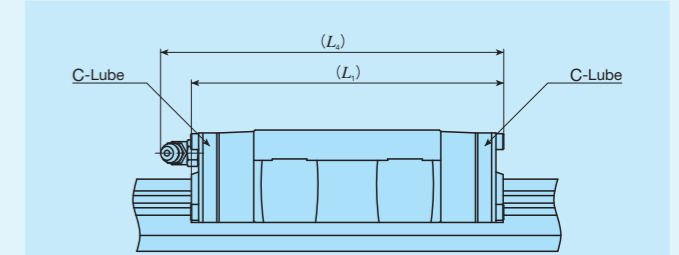
Table 10 Changed dimensions of mounting holes (Supplemental code /M4)



unit: mm

Size	d <sub>3</sub>	d <sub>4</sub>	h
15	4.5	8	6

Table 11 Dimension of slide unit with C-Lube plate (Supplemental code /Q)



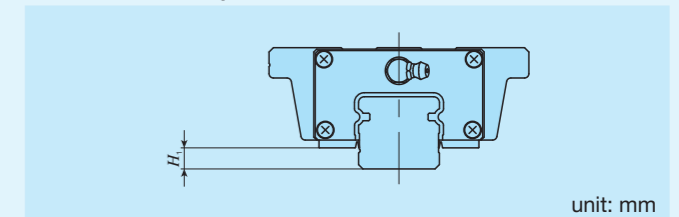
unit: mm

Identification number			L <sub>1</sub>	L <sub>2</sub>
LWEC 15	—	—	52	55
LWE 15	—	—	68	71
—	LWE15...Q	—		70
LWEG 15	—	—	81	83
LWEC 20	—	—	58	70
LWE 20	LWE20...Q	—	78	90
LWEG 20	—	—	94	105
LWEC 25	—	—	70	82
LWE 25	LWE25...Q	—	94	106
LWEG 25	—	—	113	125
LWEC 30	—	—	80	91
LWE 30	LWE30...Q	—	109	119
LWEG 30	—	—	141	151
LWEC 35	—	—	90	102
LWE 35	—	—	123	135
—	LWE35...Q	—	124	
LWE 45	—	—	138	148

Remarks 1. The dimensions of the slide unit with C-Lube at both ends are indicated.

2. A typical identification number is indicated, but is applied to all LWE (...Q) series models of the same size.

Table 12 H<sub>1</sub> dimension with under seal (Supplemental code /U)

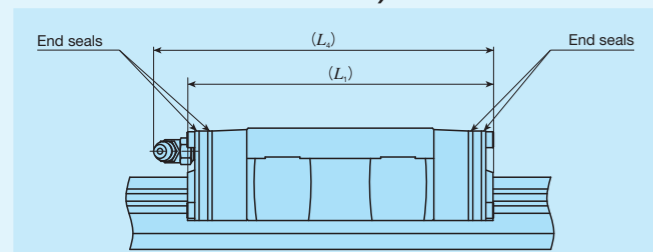


unit: mm

Identification number			H <sub>1</sub>
ME 15	LWE 15	—	5
ME 20	LWE 20	—	5
ME 25	LWE 25	—	6
ME 30	—	—	9
—	LWE 30	—	7
ME 35	—	—	10
—	LWE 35	—	8
ME 45	—	—	13
—	LWE 45	—	10

Remark: A typical identification number is indicated, but is applied to all models of the same size.

**Table 13 Dimension of slide unit with double end seals**  
(Supplemental code Single unit: /V  
Assembled set: /V /VV)

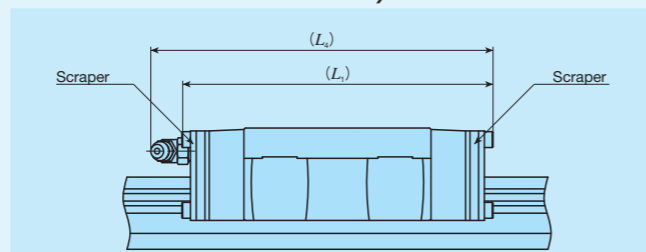


unit: mm

Identification number			L <sub>1</sub>	L <sub>4</sub>
MEC 15	LWEC 15	—	48	50
ME 15	LWE 15	LWE15...Q	64	66
MEG 15	LWEG 15	—	76	78
MEC 20	LWEC 20	—	54	68
ME 20	LWE 20	LWE20...Q	73	87
MEG 20	LWEG 20	—	89	103
MEC 25	LWEC 25	—	67	80
ME 25	LWE 25	LWE25...Q	91	104
MEG 25	LWEG 25	—	110	123
MEC 30	LWEC 30	—	78	89
ME 30	LWE 30	LWE30...Q	107	118
MEG 30	LWEG 30	—	138	150
MEC 35	LWEC 35	—	88	101
ME 35	LWE 35	LWE35...Q	121	134
ME 45	LWE 45	—	137	148

Remarks 1. The dimensions of the slide unit with double end seals at both ends are indicated.  
2. A typical identification number is indicated, but is applied to all models of the same size.

**Table 14 Dimension of slide unit with scrapers**  
(Supplemental code Single unit: /Z  
Assembled set: /Z /ZZ)



unit: mm

Identification number			L <sub>1</sub>	L <sub>4</sub>
MEC 15	LWEC 15	—	48	50
ME 15	LWE 15	LWE15...Q	64	66
MEG 15	LWEG 15	—	77	79
MEC 20	LWEC 20	—	55	69
ME 20	LWE 20	LWE20...Q	75	88
MEG 20	LWEG 20	—	91	104
MEC 25	LWEC 25	—	69	81
ME 25	LWE 25	LWE25...Q	93	105
MEG 25	LWEG 25	—	112	124
MEC 30	LWEC 30	—	79	90
ME 30	LWE 30	—	108	119
—	—	LWE30...Q	109	119
MEG 30	LWEG 30	—	140	151
MEC 35	LWEC 35	—	89	101
ME 35	LWE 35	—	122	134
—	—	LWE35...Q	123	135
ME 45	LWE 45	—	138	148

Remarks 1. The dimensions of the slide unit with scraper at both ends are indicated.  
2. A typical identification number is indicated, but is applied to all models of the same size.

## Lubrication

Lithium-soap base grease with extreme-pressure additive (Alvania EP grease 2 [SHOWA SHELL SEKIYU K. K.]) is pre-packed in ME and LWE (...Q) series. Additionally, ME series has C-Lube placed in the recirculation part of balls, so that the interval for reapplying lubricant can be extended and maintenance works such as grease job can be reduced significantly.

ME and LWE (...Q) series have grease nipple as indicated in Table 15. Supply nozzles fit to each shapes of grease nipple are also available. For order of these parts for lubrication, see Table 14.1 on page III-23 and Table 15 on page III-24.

**Table 15 Parts for lubrication**

Size	Grease nipple type <sup>(1)</sup>	Applicable supply nozzle type	Bolt size of female threads for piping
15	A-M4	A-5120V A-5240V B-5120V B-5240V	M4
20	B-M6	Grease gun available on the market	M6
25			
30	JIS type 4		PT1/8
35			
45			

Note <sup>(1)</sup> For grease nipple specification, see Tables 14.1 and 14.2 on page III-23.  
Remark: Stainless steel grease nipple is also available. If needed, please contact IKO.

## Dust Protection

The slide units of ME and LWE (...Q) series are equipped with end seals as standard for dust protection. However, if large amount of contaminant or dust are floating, or if large particles of foreign substances such as chips or sand may adhere to the track rail, it is recommended to cover the whole unit with bellows or telescope type shield, etc.


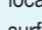
ME series and LWE (...Q) series are provided with specific bellows. The bellows are easy to mount and provide excellent dust protection. If needed, please refer to III-26 for ordering.

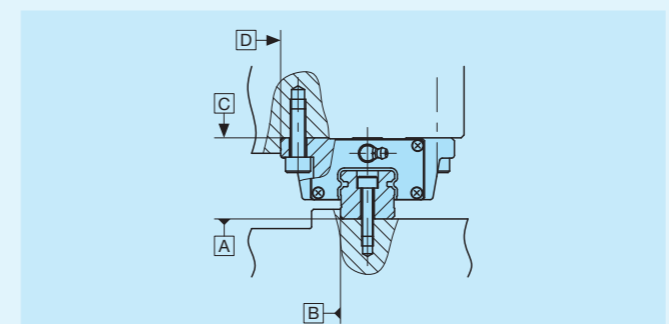
## Precaution for Use

### ① Mounting surface, reference mounting surface, and typical mounting structure

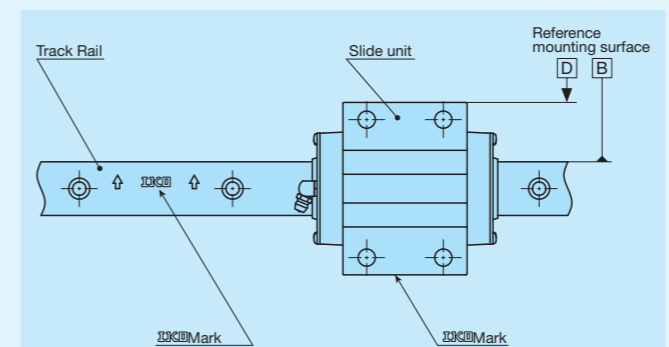
When mounting the ME and LWE (...Q) series, properly align the reference mounting surface B and D of the track rail and slide unit with the reference mounting surface of the table and bed and fix them. (See Fig.2)

The reference mounting surfaces B and D and mounting surfaces A and C are precisely ground. Machining the mounting surface of the table and bed, such as machine or device, to high accuracy and mounting them properly will ensure stable linear motion with high accuracy.

Reference mounting surface of the slide unit is the opposite side of the  mark. The track rail reference mounting surface is identified by locating the  mark on the top surface of the track rail. It is the side surface above the mark (in the direction of the arrow). (See Fig. 3.)



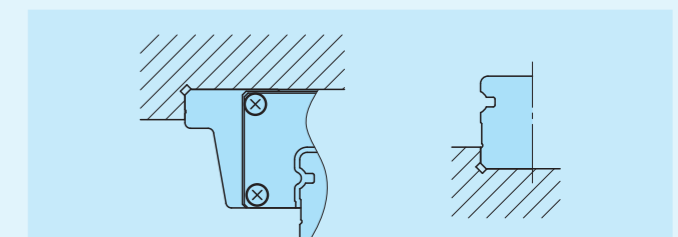
**Fig. 2 Reference mounting surface and typical mounting structure**



**Fig. 3 Reference mounting surface**

### ② Shoulder height and corner radius of the reference mounting surface

For the opposite corner of the mating reference mounting, it is recommended to have relieved fillet as indicated in Fig. 4. Recommended value for the shoulder height on the mating side is indicated in Table 17.



**Fig. 4 Corner of the mating reference mounting**

### ③ Tightening torque for fixing screw

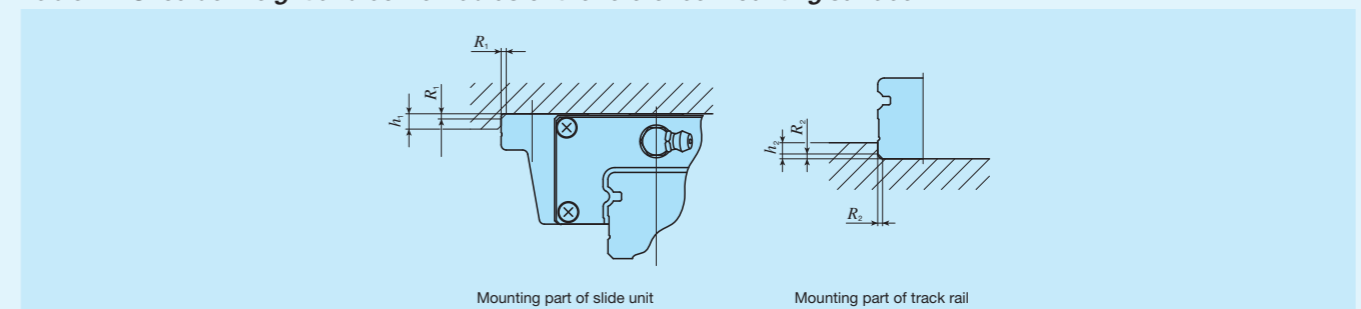
Typical tightening torque for mounting of the ME or LWE (...Q) series to the steel mating member material is indicated in Table 16. When vibration and shock of the machine or device are large, fluctuating load is large, or moment load is applied, fix it by using the torque 1.2 to 1.5 times larger than the value indicated in the table as necessary. If the mating member material is cast iron or aluminum alloy, reduce the tightening torque depending on the strength characteristics of the mating member material.

**Table 16 Tightening torque for fixing screw**

Bolt size	Tightening torque N · m	
	High carbon steel-made screw	Stainless steel-made screw
M 3×0.5	1.8	1.1
M 4×0.7	4.1	2.5
M 5×0.8	8.0	5.0
M 6×1	13.6	8.5
M 8×1.25	32.7	20.4
M10×1.5	63.9	—
M12×1.75	110	—

Remark: The tightening torque is calculated based on strength division 12.9 and property division A2-70.

**Table 17 Shoulder height and corner radius of the reference mounting surface**



unit: mm

Size	Mounting part of slide unit		Mounting part of track rail	
	Shoulder height h <sub>1</sub>	Corner radius R <sub>1</sub> (maximum)	Shoulder height h <sub>2</sub>	Corner radius R <sub>2</sub> (maximum)
15	4	1 (0.5) <sup>(1)</sup>	3	0.5
20	5	1 (0.5) <sup>(1)</sup>	3	0.5
25	6	1	4	1
30	8	1	5	1
35	8	1	6	1
45	8	1.5	7	1.5

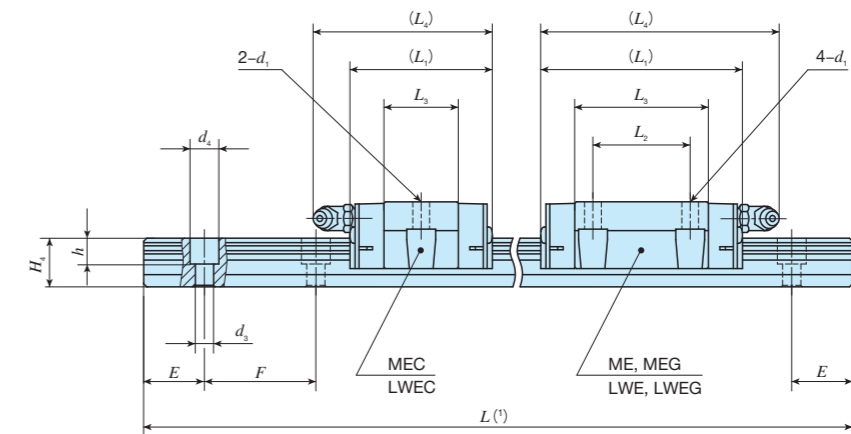
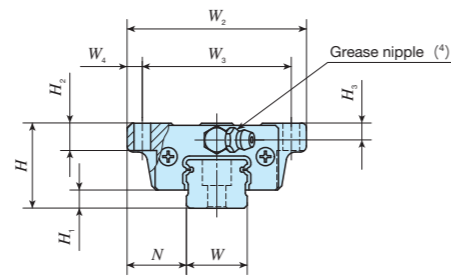
Note <sup>(1)</sup> The values in ( ) are applied to MES and LWES (...Q).

1N=0.102kgf=0.2248lbs.  
1mm=0.03937inch

# IKO C-Lube Linear Way ME

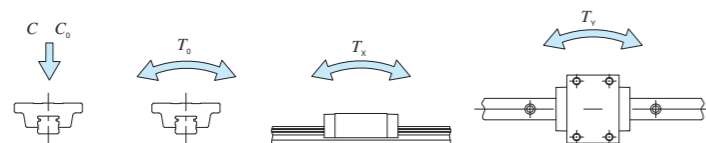
## Flange type mounting from bottom

Shape	ME · LWE		
Size	15	20	25
	30	35	45



Identification number	Interchangeable	Mass (Ref.)		Dimensions of assembly mm			Dimensions of slide unit mm							Dimensions of track rail mm							Recommended mounting bolt for track rail (2) mm	Basic dynamic load rating (3) C N	Basic static load rating (3) C0 N	Static moment rating (3) N·m									
		Slide unit kg	Track rail kg/m	H	H1	N	W2	W3	W4	L1	L2	L3	L4	d1	H2	H3	W	H4	d3	d4				h	E	F	T0	Tx	Ty				
MEC 15	LWEC 15	0.11	1.57	24	5.8	18.5	52	41	5.5	41	—	22.4	45	4.5	7	4.5	15	14.5	3.6 (4.5)	6.5 (8)	4.5 (6)	20	60	M3×16 (M4×16)	5 240	5 480	43.8	21.3 <sup>3</sup> <sub>149</sub>	21.3 <sup>3</sup> <sub>149</sub>				
MEC 15...SL	LWEC 15...SL									57	26	38.4	61												38.3	61	7 640	9 390	75.1	57.6 <sup>3</sup> <sub>333</sub>	57.6 <sup>3</sup> <sub>333</sub>		
ME 15	LWE 15									5	38.3	61	38.3												61	6 550	8 610	68.9	53.0 <sup>3</sup> <sub>307</sub>	53.0 <sup>3</sup> <sub>307</sub>			
ME 15...SL	LWE 15...SL									5	38.3	61	38.3												61	6 550	8 610	68.9	53.0 <sup>3</sup> <sub>307</sub>	53.0 <sup>3</sup> <sub>307</sub>			
MEG 15	LWEG 15	0.24			5.8					70	36	51.1	73												9 340	12 500	100	99.5 <sup>3</sup> <sub>533</sub>	99.5 <sup>3</sup> <sub>533</sub>				
MEG 15...SL	LWEG 15...SL									70	36	51.1	73												9 340	12 500	100	99.5 <sup>3</sup> <sub>533</sub>	99.5 <sup>3</sup> <sub>533</sub>				
MEC 20	LWEC 20	0.18			6					47	—	24.7	58	5.5											7 580	7 340	78.9	31.5 <sup>3</sup> <sub>235</sub>	31.5 <sup>3</sup> <sub>235</sub>				
MEC 20...SL	LWEC 20...SL									47	—	24.5	58												7 570					7 340	78.9	31.5 <sup>3</sup> <sub>235</sub>	31.5 <sup>3</sup> <sub>235</sub>
ME 20	LWE 20									44.2	58	44	58												11 600					13 400	145	95.6 <sup>3</sup> <sub>566</sub>	95.6 <sup>3</sup> <sub>566</sub>
ME 20...SL	LWE 20...SL									44.2	58	44	58												11 600					13 400	145	95.6 <sup>3</sup> <sub>566</sub>	95.6 <sup>3</sup> <sub>566</sub>
MEG 20	LWEG 20	0.30	2.28	28	5	19.5	59	49	5	67	32	44.2	78	5.5	9	5.5	20	16	6	9.5	8.5	20	60	M5×16	10 500	13 400	145	100 <sup>3</sup> <sub>557</sub>	100 <sup>3</sup> <sub>557</sub>				
MEG 20...SL	LWEG 20...SL									67	32	44.2	78												10 500			13 400	145	100 <sup>3</sup> <sub>557</sub>	100 <sup>3</sup> <sub>557</sub>		
MEG 20	LWEG 20									60.1	78	59.9	94												14 400			18 300	197	172 <sup>3</sup> <sub>930</sub>	172 <sup>3</sup> <sub>930</sub>		
MEG 20...SL	LWEG 20...SL									60.1	94	59.9	94												14 400			18 300	197	172 <sup>3</sup> <sub>930</sub>	172 <sup>3</sup> <sub>930</sub>		

Notes (1) Track rail lengths  $L$  are shown in Tables 2.1 and 2.2 on page II-67.  
 (2) Track rail mounting bolts are not appended. Hexagon socket head bolts of JIS B 1176 with strength division 12.9 are recommended.  
 (3) The direction of basic dynamic load rating ( $C$ ), basic static load rating ( $C_0$ ), and static moment rating ( $T_0$ ,  $T_x$ ,  $T_y$ ) are shown in the sketches below. The upper values of  $T_x$  and  $T_y$  are for one slide unit and the lower values are for two slide units in close contact.  
 (4) The shapes of grease nipple vary by size. The specifications are shown in Table 15 on page II-73.  
 Remark: Values in ( ) represent dimensions when the track rail mounting hole is "M4". Indicate the identification number with "/M4" at the end.



### Example of identification number of assembled set

Model code	Dimensions	Part code	Model code	Material code	Preload symbol	Classification symbol	Interchangeable code	Supplemental code
ME	G	15	C2	R340	T1	P	/U	
1	2	3	4	5	6	7	8	9 10

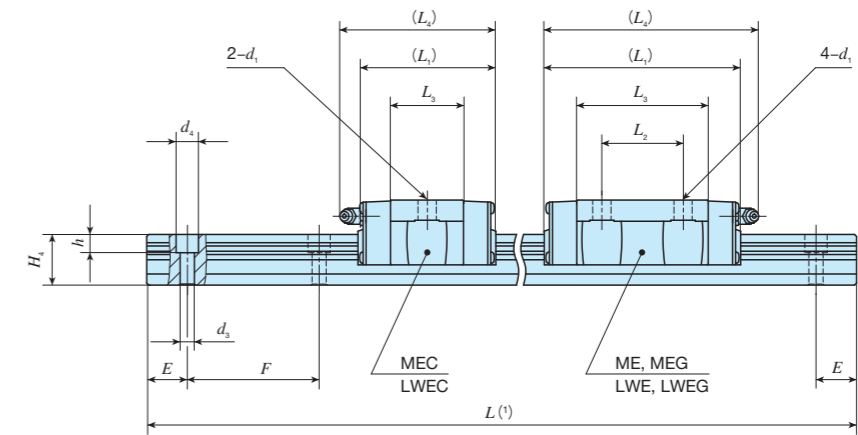
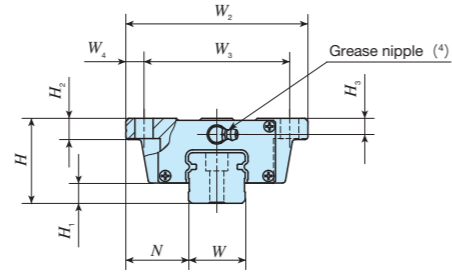
① Model	③ Size	⑦ Preload amount	⑨ Interchangeable
ME LWE LWE...Q	15, 20	T0 Clearance No symbol Standard T1 Light preload T2 Medium preload	No symbol Non-interchangeable specification S1 S1 specification S2 S2 specification
② Length of slide unit	④ Number of slide unit (2)	⑧ Accuracy class	⑩ Special specification
C Short No symbol Standard G Long		No symbol Ordinary H High P Precision SP Super precision	A, BS, D, E, F, I, J, L, LF, MA M4, N, Q, RE, T, U, V, W, Y, Z
⑤ Length of track rail (340 mm)	⑥ Material type		
	No symbol High carbon steel made SL Stainless steel made		



# IKO C-Lube Linear Way ME

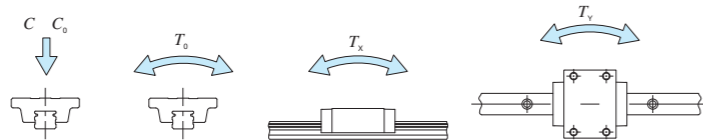
## Flange type mounting from bottom

Shape	ME · LWE		
Size	15	20	25
	30	35	45



Identification number	Interchangeable	Mass (Ref.)		Dimensions of assembly mm					Dimensions of slide unit mm					Dimensions of track rail mm					Recommended mounting bolt for track rail mm Bolt size × ℓ	Basic dynamic load rating <sup>(3)</sup> C N	Basic static load rating <sup>(3)</sup> C <sub>0</sub> N	Static moment rating <sup>(3)</sup>																																				
		Slide unit kg	Track rail kg/m	H	H <sub>1</sub>	N	W <sub>2</sub>	W <sub>3</sub>	W <sub>4</sub>	L <sub>1</sub>	L <sub>2</sub>	L <sub>3</sub>	L <sub>4</sub>	d <sub>1</sub>	H <sub>2</sub>	H <sub>3</sub>	W	H <sub>4</sub>				d <sub>3</sub>	d <sub>4</sub>	h	E	F	T <sub>0</sub> N · m	T <sub>x</sub> N · m	T <sub>y</sub> N · m																													
MEC 25	LWEC 25	○	0.33	3.09	33	7	25	73	60	6.5	83	35	56	94	7	10	6.5	23	19	7	11	9	20	60	M 6×20	12 400	12 300	153	71.8 480	71.8 480																												
MEC 25...SL	LWEC 25...SL	○																																																								
ME 25	LWE 25	○																																																								
ME 25...SL	LWE 25...SL	○																																																								
—	LWE 25...Q	—																																																								
MEG 25	LWEG 25	○	0.56	3.09	33	6	25	73	60	6.5	83	35	56	94	7	10	6.5	23	19	7	11	9	20	60	M 6×20	18 100	21 100	262	195 1 090	195 1 090																												
MEG 25...SL	LWEG 25...SL	○																																																								
ME 30	LWE 30	○																																																								
ME 30...SL	LWE 30...SL	○																																																								
—	LWE 30...Q	—																																																								
MEC 30	LWEC 30	○	0.73	5.09	42	10	31	90	72	9	97	40	64.8	107	9	10	8	28	25	7	11	9	20	80	M 6×25	22 200	28 200	349	175 1 010	175 1 010																												
MEC 30...SL	LWEC 30...SL	○																																																								
ME 30	LWE 30	○																																																								
ME 30...SL	LWE 30...SL	○																																																								
—	LWE 30...Q	—																																																								
MEG 30	LWEG 30	○	0.97	5.04	42	10	31	90	72	9	96	40	64.8	106	9	10	8	28	25	7	11	9	20	80	M 6×25	29 500	31 300	479	328 1 920	328 1 920																												
MEG 30...SL	LWEG 30...SL	○																																																								
ME 30	LWE 30	○																																																								
ME 30...SL	LWE 30...SL	○																																																								
—	LWE 30...Q	—																																																								
MEC 30	LWEC 30	○	1.50	5.09	42	10	31	90	72	9	129	60	96.5	139	9	10	8	28	25	7	11	9	20	80	M 6×25	39 200	47 000	718	704 3 590	704 3 590																												
MEG 30	LWEG 30	○																																																								
MEG 30...SL	LWEG 30...SL	○																																																								
MEC 35	LWEC 35	○																													0.84	6.85	48	11	33	100	82	9	78	—	41.6	90	9	13	10	34	28	9	14	12	20	80	M 8×30	29 900	26 800	412	176 1 190	162 1 100
MEC 35...SL	LWEC 35...SL	○																																																								
ME 35	LWE 35	○																																																								
ME 35...SL	LWE 35...SL	○																																																								
—	LWE 35...Q	—																																																								
MEC 35	LWEC 35	○	1.52	6.84	48	11	33	100	82	9	111	50	74.6	123	9	13	10	34	28	9	14	12	20	80	M 8×30	42 900	44 700	686	448 2 660	412 2 450																												
MEC 35...SL	LWEC 35...SL	○																																																								
ME 35	LWE 35	○																																																								
ME 35...SL	LWE 35...SL	○																																																								
—	LWE 35...Q	—																																																								
MEC 35	LWEC 35	○	1.53	6.84	48	11	33	100	82	9	110	50	76.6	122	9	13	10	34	28	9	14	12	20	80	M 8×30	30 500	37 600	687	482 2 550	482 2 550																												
MEC 35...SL	LWEC 35...SL	○																																																								
ME 35	LWE 35	○																																																								
ME 35...SL	LWE 35...SL	○																																																								
—	LWE 35...Q	—																																																								
MEC 45	LWEC 45	○	2.46	11.2	60	14	37.5	120	100	10	125	60	81.4	136	11	15	13	45	34	11	17.5	14	22.5	105	M10×35	61 100	60 200	1 210	672 4 070	618 3 750																												
MEC 45...SL	LWEC 45...SL	○																																																								
ME 45	LWE 45	○																																																								
ME 45...SL	LWE 45...SL	○																																																								
—	LWE 45...Q	—																																																								

- Notes (1) Track rail lengths  $L$  are shown in Tables 2.1 and 2.2 on page II - 67.  
 (2) Track rail mounting bolts are not appended. Hexagon socket head bolts of JIS B 1176 with strength division 12.9 are recommended.  
 (3) The direction of basic dynamic load rating ( $C$ ), basic static load rating ( $C_0$ ), and static moment rating ( $T_0$ ,  $T_x$ ,  $T_y$ ) are shown in the sketches below. The upper values of  $T_x$  and  $T_y$  are for one slide unit and the lower values are for two slide units in close contact.  
 (4) The shapes of grease nipple vary by size. The specifications are shown in Table 15 on page II - 73.



### Example of identification number of assembled set

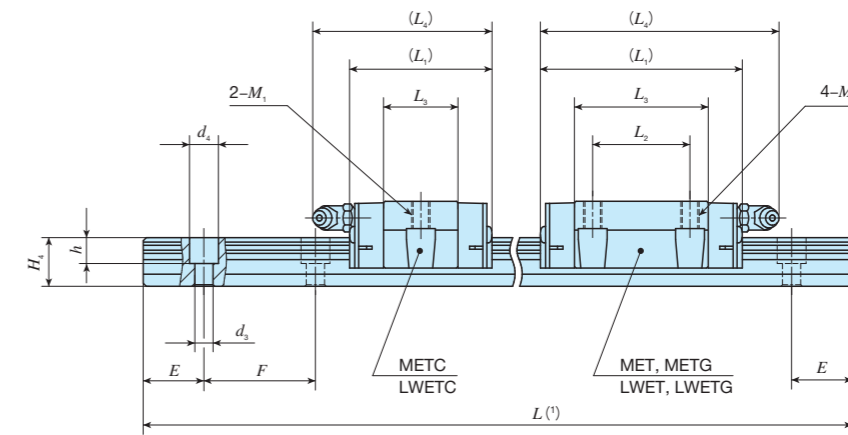
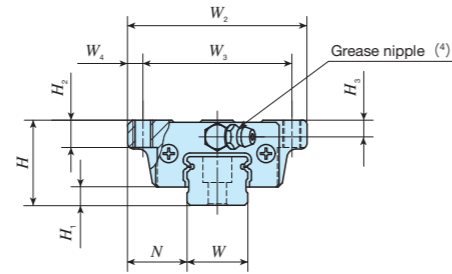
Model code	Dimensions	Part code	Model code	Material code	Preload symbol	Classification symbol	Interchangeable code	Supplemental code
ME	G	30	C2	R440	T1	P	—	/U
1	2	3	4	5	7	8	9	10

① Model	③ Size	⑦ Preload amount	⑨ Interchangeable
ME LWE LWE...Q Flange type mounting from bottom	25, 30, 35, 45	T <sub>0</sub> Clearance No symbol Standard T <sub>1</sub> Light preload T <sub>2</sub> Medium preload	No symbol Non-interchangeable specification S1 S1 specification S2 S2 specification
② Length of slide unit	④ Number of slide unit (2)	⑧ Accuracy class	⑩ Special specification
C Short No symbol Standard G Long		No symbol Ordinary H High P Precision SP Super precision	A, BS, D, E, F, I, J, L, LF, MA N, Q, RE, T, U, V, W, Y, Z
⑤ Length of track rail (440 mm)	⑥ Material type		
	No symbol High carbon steel made SL Stainless steel made		

# IKO C-Lube Linear Way ME

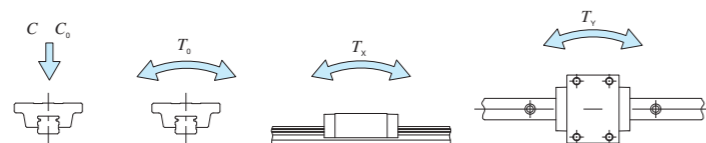
## Flange type mounting from top

Shape	MET · LWET		
Size	15	20	25
	30	35	45



Identification number	Interchangeable	Mass (Ref.)		Dimensions of assembly mm			Dimensions of slide unit mm					Dimensions of track rail mm						Recommended mounting bolt for track rail (2) mm	Basic dynamic load rating (3) C N	Basic static load rating (3) C0 N	Static moment rating (3)								
		Slide unit kg	Track rail kg/m	H	H1	N	W2	W3	W4	L1	L2	L3	L4	M1	H2	H3	W				H4	d3	d4	h	E	F	T0 N·m	Tx N·m	Ty N·m
METC 15	LWETC 15	0.11	1.57	24	5.8	18.5	52	41	5.5	41	—	22.4	45	M5	7	4.5	15	14.5	3.6 (4.5)	6.5 (8 )	4.5 (6 )	20	60	M3×16 (M4×16)	5 240	5 480	43.8	21.3 149	21.3 149
METC 15...SL	LWETC 15...SL									57	26	38.4	61												57.6 333	57.6 333			
MET 15	LWET 15									5	38.3	53.0 307	53.0 307																
MET 15...SL	LWET 15...SL									5	38.3	53.0 307	53.0 307																
—	LWET 15...Q									5	38.3	53.0 307	53.0 307																
METG 15	LWETG 15	0.24	2.28	28	5.8	19.5	59	49	5	70	36	51.1	73	M6	9	5.5	20	16	6	9.5	8.5	20	60	M5×16	9 340	12 500	100	99.5 533	99.5 533
METG 15...SL	LWETG 15...SL									67	32	44.2	78												95.6 566	95.6 566			
METC 20	LWETC 20									67	32	44.2	78												100 562	100 562			
METC 20...SL	LWETC 20...SL									67	32	44.2	78												100 562	100 562			
MET 20	LWET 20									67	32	44.2	78												100 562	100 562			
MET 20...SL	LWET 20...SL	0.30	2.28	28	5	19.5	59	49	5	67	32	44.2	78	M6	9	5.5	20	16	6	9.5	8.5	20	60	M5×16	11 600	13 400	145	95.6 566	95.6 566
METC 20	LWETC 20									67	32	44.2	78												100 562	100 562			
METC 20...SL	LWETC 20...SL									67	32	44.2	78												100 562	100 562			
MET 20	LWET 20									67	32	44.2	78												100 562	100 562			
MET 20...SL	LWET 20...SL									67	32	44.2	78												100 562	100 562			
—	LWET 20...Q	0.40	2.28	28	6	19.5	59	49	5	67	32	44.2	78	M6	9	5.5	20	16	6	9.5	8.5	20	60	M5×16	10 500	13 400	145	100 562	100 562
METG 20	LWETG 20									67	32	44.2	78												100 562	100 562			
METG 20...SL	LWETG 20...SL									67	32	44.2	78												100 562	100 562			
METC 20	LWETC 20									67	32	44.2	78												100 562	100 562			
METC 20...SL	LWETC 20...SL									67	32	44.2	78												100 562	100 562			
METG 20	LWETG 20	0.40	2.28	28	6	19.5	59	49	5	83	45	60.1	94	M6	9	5.5	20	16	6	9.5	8.5	20	60	M5×16	14 400	18 300	197	172 930	172 930
METG 20...SL	LWETG 20...SL									83	45	59.9	94												172 930	172 930			
METC 20	LWETC 20									83	45	59.9	94												172 930	172 930			
METC 20...SL	LWETC 20...SL									83	45	59.9	94												172 930	172 930			
METG 20	LWETG 20									83	45	59.9	94												172 930	172 930			

Notes (1) Track rail lengths  $L$  are shown in Tables 2.1 and 2.2 on page II-67.  
 (2) Track rail mounting bolts are not appended. Hexagon socket head bolts of JIS B 1176 with strength division 12.9 are recommended.  
 (3) The direction of basic dynamic load rating ( $C$ ), basic static load rating ( $C_0$ ), and static moment rating ( $T_0$ ,  $T_x$ ,  $T_y$ ) are shown in the sketches below. The upper values of  $T_x$  and  $T_y$  are for one slide unit and the lower values are for two slide units in close contact.  
 (4) The shapes of grease nipple vary by size. The specifications are shown in Table 15 on page II-73.  
 Remark: Values in ( ) represent dimensions when the track rail mounting hole is "M4". Indicate the identification number with "/M4" at the end.



### Example of identification number of assembled set

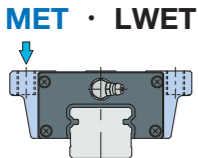
Model code	Dimensions	Part code	Model code	Material code	Preload symbol	Classification symbol	Interchangeable code	Supplemental code
<b>MET</b>	<b>G</b>	<b>15</b>	<b>C2</b>	<b>R340</b>	<b>T1</b>	<b>P</b>	<b>/U</b>	
1	2	3	4	5	6	7	8	9

<b>1 Model</b> MET LWET LWET...Q Flange type mounting from top	<b>3 Size</b> 15, 20	<b>7 Preload amount</b> T0 Clearance No symbol Standard T1 Light preload T2 Medium preload	<b>9 Interchangeable</b> No symbol Non-interchangeable specification S1 S1 specification S2 S2 specification
<b>2 Length of slide unit</b> C Short No symbol Standard G Long	<b>4 Number of slide unit (2)</b>	<b>8 Accuracy class</b> No symbol Ordinary H High P Precision SP Super precision	<b>10 Special specification</b> A, BS, D, E, F, I, J, L, LF, MA M4, N, Q, RE, T, U, V, W, Y, Z
<b>5 Length of track rail (340 mm)</b>	<b>6 Material type</b> No symbol High carbon steel made SL Stainless steel made		

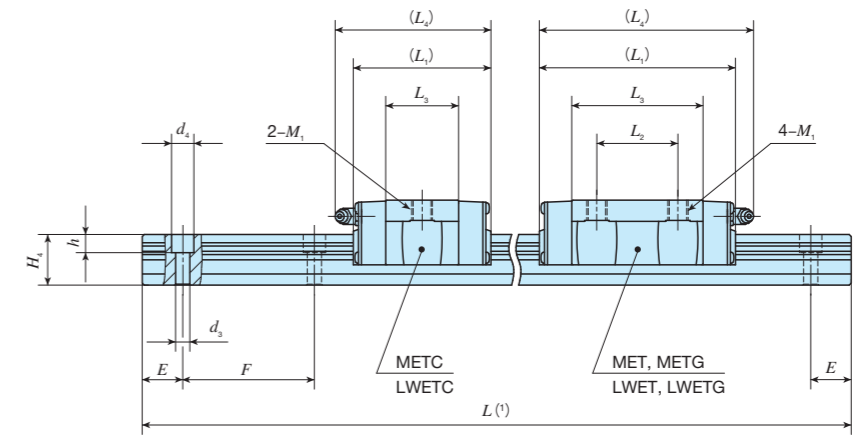
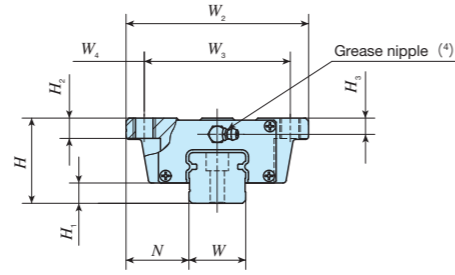
# IKO C-Lube Linear Way ME

## Flange type mounting from top

Shape **MET · LWET**



Size	15	20	25
	30	35	45



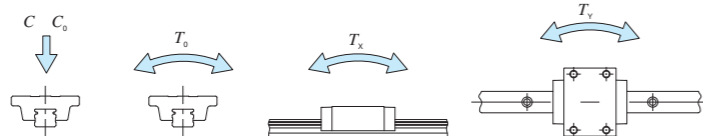
Identification number	ME series	LWE series (No C-Lube)	Interchangeable	Mass (Ref.)		Dimensions of assembly mm			Dimensions of slide unit mm					Dimensions of track rail mm							Recommended mounting bolt for track rail mm Bolt size × ℓ	Basic dynamic load rating <sup>(3)</sup> C N	Basic static load rating <sup>(3)</sup> C <sub>0</sub> N	Static moment rating <sup>(3)</sup>																																	
				Slide unit kg	Track rail kg/m	H	H <sub>1</sub>	N	W <sub>2</sub>	W <sub>3</sub>	W <sub>4</sub>	L <sub>1</sub>	L <sub>2</sub>	L <sub>3</sub>	L <sub>4</sub>	M <sub>1</sub>	H <sub>2</sub>	H <sub>3</sub>	W	H <sub>4</sub>				d <sub>3</sub>	d <sub>4</sub>	h	E	F	T <sub>0</sub> N · m	T <sub>x</sub> N · m	T <sub>y</sub> N · m																										
METC 25	LWETC 25		○	0.33	3.09	33	7	25	73	60	6.5	83	35	56	94	M 8	10	6.5	23	19	7	11	9	20	60	M 6×20	12 400	12 300	153	71.8 <sup>8</sup> 480	71.8 <sup>8</sup> 480																										
METC 25...SL	LWETC 25...SL	○																																																							
MET 25	LWET 25	○																																																							
MET 25...SL	LWET 25...SL	○																																																							
—	LWET 25...Q	—	○				6																																																		
METG 25	LWETG 25		○	0.73	5.09	42	10	31	90	72	9	102	50	75	113	M 10	10	8	28	25	7	11	9	20	80	M 6×25	22 200	28 200	349	175 <sup>8</sup> 1 010	175 <sup>8</sup> 1 010																										
METG 25...SL	LWETG 25...SL	○																																																							
METC 30	LWETC 30		○	0.58	5.09	42	10	31	90	72	9	68	—	36	78	M 10	10	8	28	25	7	11	9	20	80	M 6×25	20 600	18 800	287	129 <sup>8</sup> 855	129 <sup>8</sup> 855																										
METC 30...SL	LWETC 30...SL	○																																																							
MET 30	LWET 30	○																																																							
MET 30...SL	LWET 30...SL	○																																																							
—	LWET 30...Q	—	○																																																						
METG 30	LWETG 30		○	1.50	5.09	42	10	31	90	72	9	129	60	96.5	139	M 10	10	8	28	25	7	11	9	20	80	M 6×25	39 200	47 000	718	704 <sup>8</sup> 3 690	704 <sup>8</sup> 3 690																										
METG 30...SL	LWETG 30...SL	○																																																							
METC 35	LWETC 35		○	0.84	6.85	48	11	33	100	82	9	78	—	41.6	90	M 10	13	10	34	28	9	14	12	20	80	M 8×30	29 900	26 800	412	176 <sup>8</sup> 1 190	162 <sup>8</sup> 1 100																										
MET 35	LWET 35	○																																																							
—	LWET 35...Q	—																																																							
MET 45	LWET 45		○	2.46	11.2	60	14	37.5	120	100	10	125	60	81.4	136	M 12	15	13	45	34	11	17.5	14	22.5	105	M 10×35	61 100	60 200	1 210	672 <sup>8</sup> 4 070	618 <sup>8</sup> 3 750																										

Notes (1) Track rail lengths L are shown in Tables 2.1 and 2.2 on page II - 67.

(2) Track rail mounting bolts are not appended. Hexagon socket head bolts of JIS B 1176 with strength division 12.9 are recommended.

(3) The direction of basic dynamic load rating (C), basic static load rating (C<sub>0</sub>), and static moment rating (T<sub>0</sub>, T<sub>x</sub>, T<sub>y</sub>) are shown in the sketches below. The upper values of T<sub>x</sub> and T<sub>y</sub> are for one slide unit and the lower values are for two slide units in close contact.

(4) The shapes of grease nipple vary by size. The specifications are shown in Table 15 on page II - 73.



### Example of identification number of assembled set

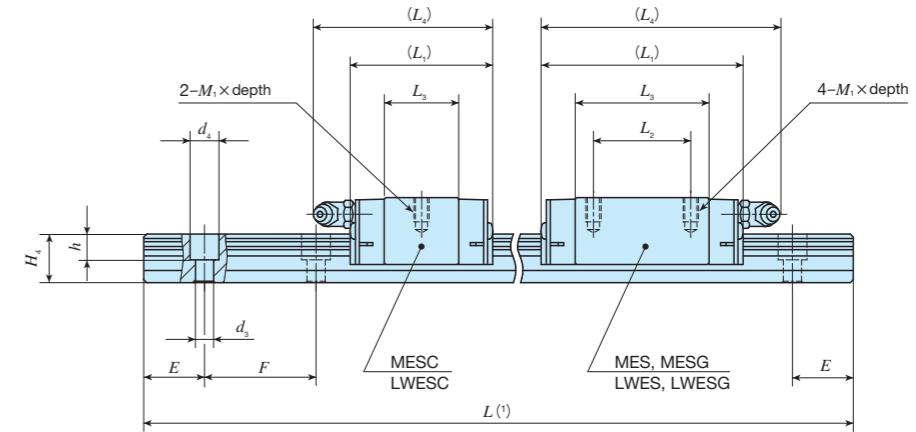
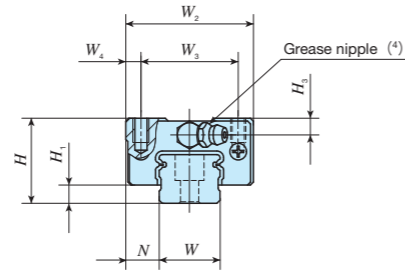
Model code	Dimensions	Part code	Model code	Material code	Preload symbol	Classification symbol	Interchangeable code	Supplemental code
<b>MET</b>	<b>G</b>	<b>30</b>	<b>C2</b>	<b>R440</b>	<b>T1</b>	<b>P</b>	<b>/U</b>	
1	2	3	4	5	6	7	8	9

<b>① Model</b>	MET LWET LWET...Q	Flange type mounting from top	<b>③ Size</b>	25, 30, 35, 45	<b>⑦ Preload amount</b>	T <sub>0</sub> Clearance No symbol Standard T <sub>1</sub> Light preload T <sub>2</sub> Medium preload	<b>⑨ Interchangeable</b>	No symbol Non-interchangeable specification S1 S1 specification S2 S2 specification
<b>② Length of slide unit</b>	C Short No symbol Standard G Long		<b>④ Number of slide unit (2)</b>		<b>⑧ Accuracy class</b>	No symbol Ordinary H High P Precision SP Super precision	<b>⑩ Special specification</b>	A, BS, D, E, F, 1, J, L, LF, MA N, Q, RE, T, U, V, W, Y, Z
			<b>⑤ Length of track rail (440 mm)</b>					
			<b>⑥ Material type</b>	No symbol High carbon steel made SL Stainless steel made				

# IKO C-Lube Linear Way ME

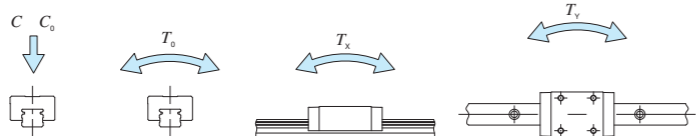
## Block type mounting from top

Shape	MES · LWES		
Size	15	20	25
	30	35	45



Identification number	ME series	LWE series (No C-Lube)	Interchangeable	Mass (Ref.)		Dimensions of assembly mm					Dimensions of slide unit mm					Dimensions of track rail mm						Recommended mounting bolt for track rail (2) mm	Bolt size x l	Basic dynamic load rating (3) C N	Basic static load rating (3) C0 N	Static moment rating (3)						
				Slide unit kg	Track rail kg/m	H	H1	N	W2	W3	W4	L1	L2	L3	L4	M1 x depth	H3	W	H4	d3	d4					h	E	F	T0 N·m	Tx N·m	Ty N·m	
MESC 15	LWESC 15		○	0.09	1.57	24	5.8	9.5	34	26	4	41	—	22.4	45	M4 x 7	4.5	15	14.5	3.6 (4.5)	6.5 (8)	4.5 (6)	20	60	M3 x 16 (M4 x 16)	5 240	5 480	43.8	21.3 149	21.3 149		
MESC 15...SL	LWESC 15...SL	○	57									26	38.4	61	7 640											9 390	75.1	57.6 333	57.6 333			
MES 15	LWES 15	○	5									38.3	61	6 550	8 610											68.9	53.0 307	53.0 307				
MES 15...SL	LWES 15...SL	○	70									36	51.1	73	9 340											12 500	100	99.5 533	99.5 533			
MESC 20	LWESC 20		○	0.15	2.28	28	6	11	42	32	5	47	—	24.7	58	M5 x 8	5.5	20	16	6	9.5	8.5	20	60	M5 x 16	7 580	7 340	78.9	31.5 235	31.5 235		
MESC 20...SL	LWESC 20...SL	○	44									44.2	78	11 600	13 400											145					95.6 566	95.6 566
MES 20	LWES 20	○	44									44	78	10 500	18 300											197					172 930	172 930
MES 20...SL	LWES 20...SL	○	60.1									59.9	94	14 400																		
MESC 20	LWESC 20		○	0.25	2.28	28	6	11	42	32	5	67	32	44.2	78	M5 x 8	5.5	20	16	6	9.5	8.5	20	60	M5 x 16	11 600	13 400	145	95.6 566	95.6 566		
MESC 20...SL	LWESC 20...SL	○	44									44	78	10 500																		
MES 20	LWES 20	○	44									44	78	10 500																		
MES 20...SL	LWES 20...SL	○	60.1									59.9	94	14 400																		
MESC 20	LWESC 20		○	0.33	2.28	28	6	11	42	32	5	83	45	60.1	94	M5 x 8	5.5	20	16	6	9.5	8.5	20	60	M5 x 16	14 400	18 300	197	172 930	172 930		
MESC 20...SL	LWESC 20...SL	○	60.1									59.9	94	14 400																		
MES 20	LWES 20	○	60.1									59.9	94	14 400																		
MES 20...SL	LWES 20...SL	○	60.1									59.9	94	14 400																		

Notes (1) Track rail lengths  $L$  are shown in Tables 2.1 and 2.2 on page II-67.  
 (2) Track rail mounting bolts are not appended. Hexagon socket head bolts of JIS B 1176 with strength division 12.9 are recommended.  
 (3) The direction of basic dynamic load rating ( $C$ ), basic static load rating ( $C_0$ ), and static moment rating ( $T_0$ ,  $T_x$ ,  $T_y$ ) are shown in the sketches below. The upper values of  $T_x$  and  $T_y$  are for one slide unit and the lower values are for two slide units in close contact.  
 (4) The shapes of grease nipple vary by size. The specifications are shown in Table 15 on page II-73.  
 Remark: Values in ( ) represent dimensions when the track rail mounting hole is "M4". Indicate the identification number with "/M4" at the end.



### Example of identification number of assembled set

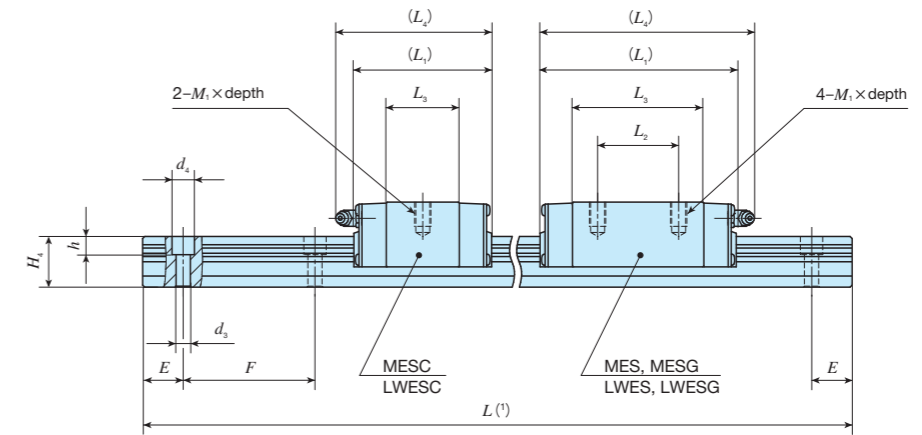
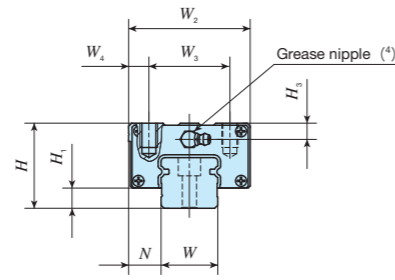
Model code: MES G 15 C2 R340  
 Dimensions: 15, 20  
 Part code: C2  
 Model code: R340  
 Material code: —  
 Preload symbol: T1  
 Classification symbol: P  
 Interchangeable code: —  
 Supplemental code: /U

① Model MES LWES LWES...Q	② Length of slide unit C Short No symbol Standard G Long	③ Size 15, 20	④ Number of slide unit (2)	⑤ Length of track rail (340 mm)	⑥ Material type No symbol High carbon steel made SL Stainless steel made	⑦ Preload amount T0 Clearance No symbol Standard T1 Light preload T2 Medium preload	⑧ Accuracy class No symbol Ordinary H High P Precision SP Super precision	⑨ Interchangeable No symbol Non-interchangeable specification S1 S1 specification S2 S2 specification	⑩ Special specification A, BS, D, E, F, 1, J, L, LF, MA M4, N, Q, RE, T, U, V, W, Y, Z
------------------------------------	---	------------------	----------------------------	---------------------------------	--	---	---	--	--

# IKO C-Lube Linear Way ME

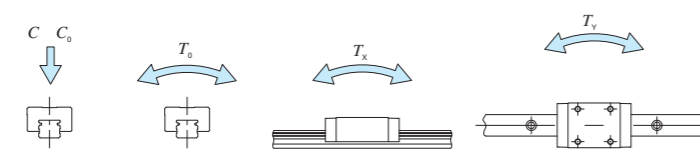
## Block type mounting from top

Shape	MES · LWES		
Size	15	20	25
	30	35	45



Identification number	Interchangeable	Mass (Ref.)		Dimensions of assembly mm			Dimensions of slide unit mm					Dimensions of track rail mm						Recommended mounting bolt for track rail (2) mm	Basic dynamic load rating (3) C N	Basic static load rating (3) C <sub>0</sub> N	Static moment rating (3)								
		Slide unit kg	Track rail kg/m	H	H <sub>1</sub>	N	W <sub>2</sub>	W <sub>3</sub>	W <sub>4</sub>	L <sub>1</sub>	L <sub>2</sub>	L <sub>3</sub>	L <sub>4</sub>	M <sub>1</sub> × depth	H <sub>3</sub>	W	H <sub>4</sub>				d <sub>3</sub>	d <sub>4</sub>	h	E	F	Bolt size × ℓ	T <sub>0</sub> N · m	T <sub>x</sub> N · m	T <sub>y</sub> N · m
MESC 25	LWESC 25	○	0.26	3.09	33	7	12.5	48	35	6.5	59	—	32	70	M 6×9	6.5	23	19	7	11	9	20	60	M 6×20	12 400	12 300	153	71.8 480	71.8 480
MESC 25...SL	LWESC 25...SL	○									83	35	56	94											18 100	21 100	262	195 1 090	195 1 090
MES 25	LWES 25	○									6	15 500	19 400	240											175 1 010	175 1 010			
MES 25...SL	LWES 25...SL	○									7	22 200	28 200	349											336 1 740	336 1 740			
MESC 30	LWESC 30	○	0.46	5.09	42	10	16	60	40	10	68	—	36	78	M 8×12	8	28	25	7	11	9	20	80	M 6×25	20 600	18 800	287	129 855	129 855
MESC 30...SL	LWESC 30...SL	○									97	40	64.8	107											29 500	31 300	479	328 1 920	328 1 920
MES 30	LWES 30	○									78	40	64.8	106											21 600	26 400	398	278 1 580	278 1 580
MES 30...SL	LWES 30...SL	○									96	39 200	47 000	718											704 3 690	704 3 690			
MESC 35	LWESC 35	○	0.67	6.85	48	11	18	70	50	10	78	—	41.6	90	M 8×12	10	34	28	9	14	12	20	80	M 8×30	29 900	26 800	412	176 1 190	162 1 100
MES 35	LWES 35	○									111	50	74.6	123											42 900	44 700	686	448 2 660	412 2 450
—	LWES 35...Q	—									110	76.6	122	30 500											37 600	687	482 2 550	482 2 550	
MES 45	LWES 45	○	2.05	11.2	60	14	20.5	86	60	13	125	60	81.4	136	M10×15	13	45	34	11	17.5	14	22.5	105	M10×35	61 100	60 200	1 210	672 4 070	618 3 750

Notes (1) Track rail lengths  $L$  are shown in Tables 2.1 and 2.2 on page II - 67.  
 (2) Track rail mounting bolts are not appended. Hexagon socket head bolts of JIS B 1176 with strength division 12.9 are recommended.  
 (3) The direction of basic dynamic load rating ( $C$ ), basic static load rating ( $C_0$ ), and static moment rating ( $T_0$ ,  $T_x$ ,  $T_y$ ) are shown in the sketches below. The upper values of  $T_x$  and  $T_y$  are for one slide unit and the lower values are for two slide units in close contact.  
 (4) The shapes of grease nipple vary by size. The specifications are shown in Table 15 on page II - 73.



### Example of identification number of assembled set

Model code: MES, Dimensions: G, Part code: 30, Model code: C2, Material code: R440, Preload symbol: T1, Classification symbol: P, Interchangeable code: /U

① Model: MES, LWES, LWES...Q (Block type mounting from top)

② Length of slide unit: C (Short), No symbol (Standard), G (Long)

③ Size: 25, 30, 35, 45

④ Number of slide unit (2)

⑤ Length of track rail (440 mm)

⑥ Material type: No symbol (High carbon steel made), SL (Stainless steel made)

⑦ Preload amount: T0 (Clearance), No symbol (Standard), T1 (Light preload), T2 (Medium preload)

⑧ Accuracy class: No symbol (Ordinary), H (High), P (Precision), SP (Super precision)

⑨ Interchangeable: No symbol (Non-interchangeable specification), S1 (S1 specification), S2 (S2 specification)

⑩ Special specification: A, BS, D, E, F, I, J, L, LF, MA, N, Q, RE, T, U, V, W, Y, Z