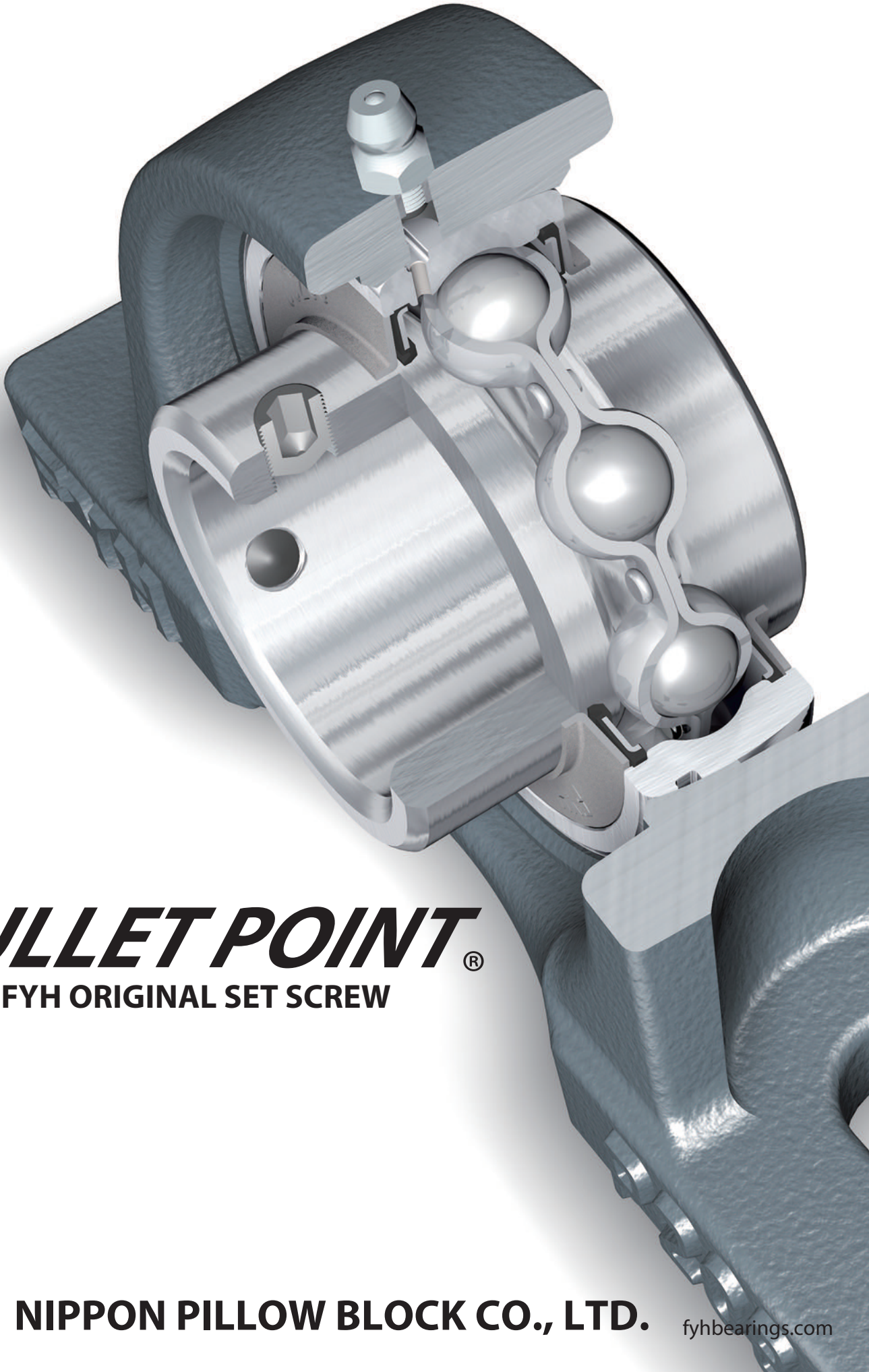
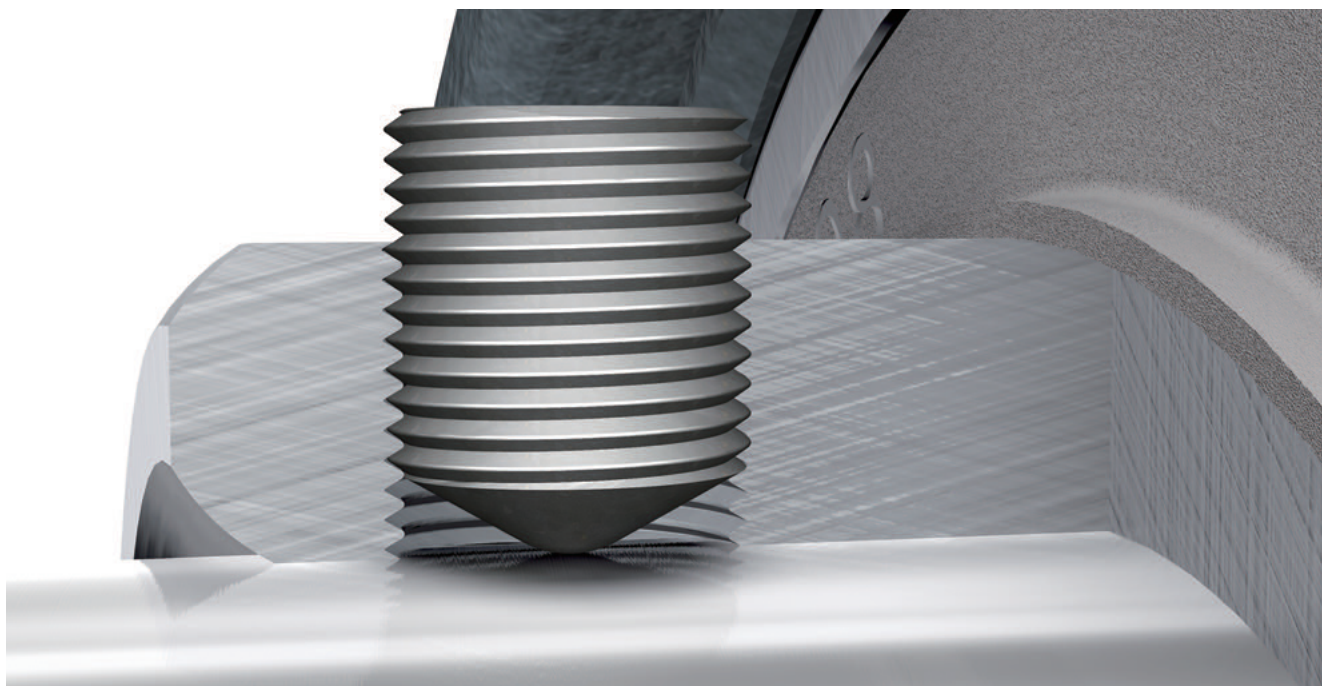


FYH[®]



BULLET POINT[®]
FYH ORIGINAL SET SCREW

THE THREADS EXPAND OUTWARD

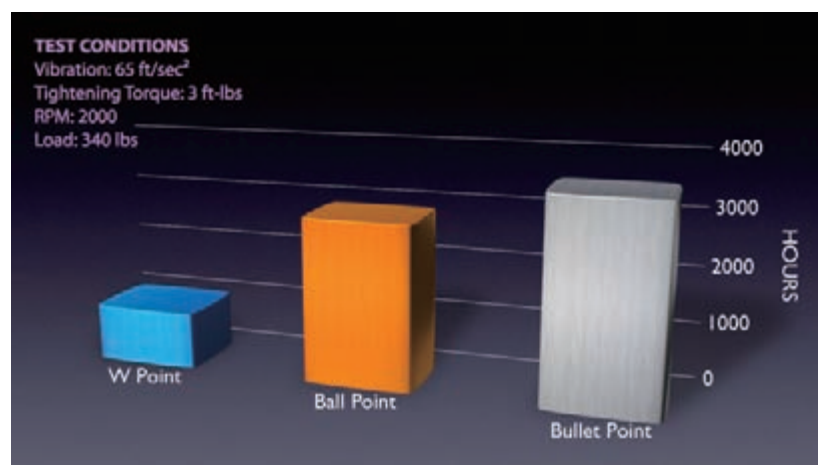


The innovative FYH Bullet Point set screw is a one piece ball point set screw which is designed to expand the threads of the screw as the point of the screw contacts the surface of the shaft.

The resulting force creates superior holding power especially where vibration is present. Other set screws have larger contact areas with sharp edges at the point of the screw to bite into the shaft. However, these sharp edges damage more easily from vibration which creates a gap between the point of the set screw and the shaft. Once this gap is established, the set screw will begin to loosen.

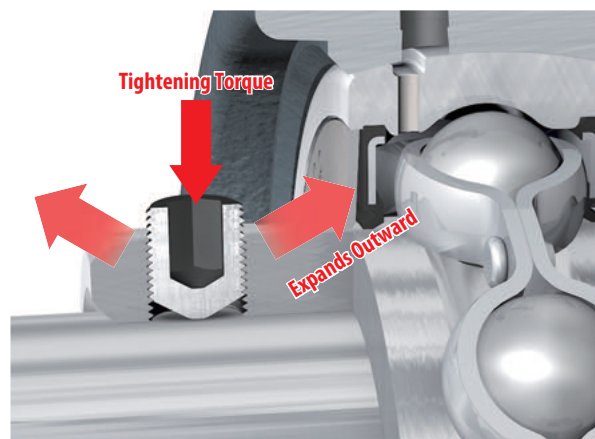
When the Bullet Point set screw is tightened, the original shape of the point causes the threads of the screw to expand up to and beyond the elastic limit to achieve the maximum possible holding power. The thickness of the point is also designed to expand easily. This specialized design drastically reduces the potential for damage to both the set screw and shaft from normal use or for severe vibration, shock load, and high speed.

Bullet Point will be our standard set screw in 2010. (PAT.PEND)
Set screw suffix code is G23.



VIBRATION TEST RESULT

W point set screw slipped at 1,000 hours.
Ball point set screw (Ball + setscrew) came loose at 2,860 hours.
The Bullet Point continued to hold well beyond 3,000 hours of operation while still enduring heavy vibration.



BULLET POINT®

The original set screw for severe vibration and high speed

NIPPON PILLOW BLOCK CO., LTD.

2306 Hirao Miharaku Sakai Osaka 587-0022 JAPAN

TEL: 072-361-3750 FAX: 072-361-4173 E-mail: info@fyhbearings.com



fyhbearings.com

2010.06