

### Features

- ① About 30% pressure level increase compared with the standard type
- ② The pump is immersed in the liquids when in use
- ③ EU RoHS Directive (Restriction of Use of Six Hazardous Substances)compliant
- ④ Meets the EU Directive for CE marking
- ⑤ Enhanced protection against mist and other environmental elements



### Structure

Non-seal (mechanical seal-less) structure. Cast iron is used in the pump's main unit.

### How to read the model type

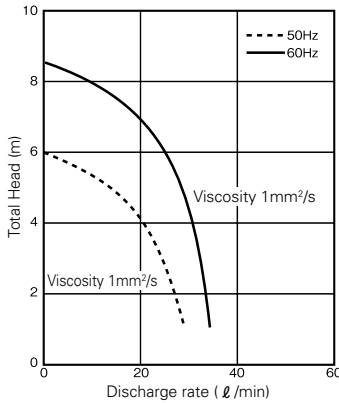
**VKP 07 5 H**

①      ②      ③      ④

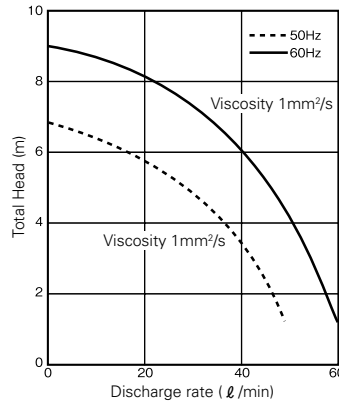
- ① Model
- ② Output code(ex. 06: 100W)
- ③ Series
- ④ Number of phases and characteristics (H: 3 phases; pressure type)

### Selection chart (performance drawings)

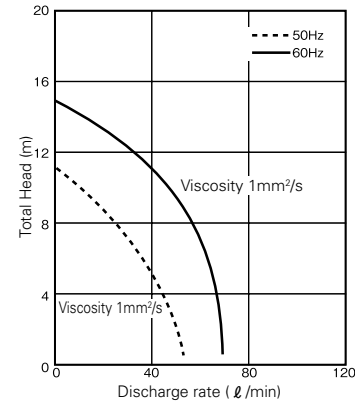
**VKP055H**



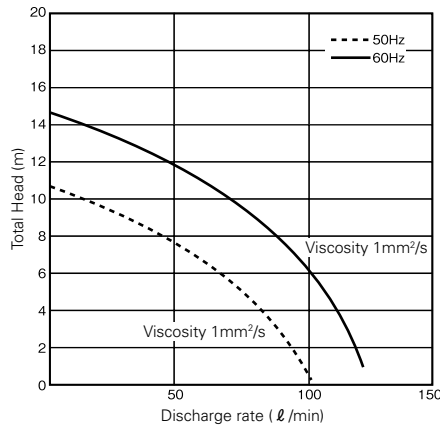
**VKP065H**



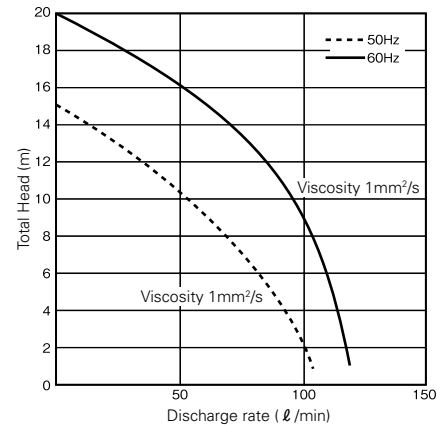
**VKP075H**



**VKP085H**



**VKP095H**



### Specifications

Specifications	Type	VKP055H	VKP065H	VKP075H	VKP085H	VKP095H
Nominal output (W)		60	100	180	250	400
Rated voltage (V)		200	200/220	200	200/220	200
Frequency (Hz)		50	50	50	50	50
Rated current (A)		0.42	0.55	0.9	1.2	2.4
Discharge rate (l/min)		10	10	20	20	20
Total head (m)		5	5.5	9	9	13
Max. viscosity allowed (mm <sup>2</sup> /s)		37.5	37.5	37.5	37.5	37.5
Outlet (Rp)		3/8	3/8	1/2	3/4	1
Paint color		Munsell N1				
Standard		IEC60034-1 CE approved				
Degree of protection		IP54				

Note: The discharge rate and total head values were obtained in tests with a liquid viscosity of 1mm<sup>2</sup>/s (same as tap water at normal temperature). Note that the pumps cannot be used with water.

### Assembly Drawing

Fig.1

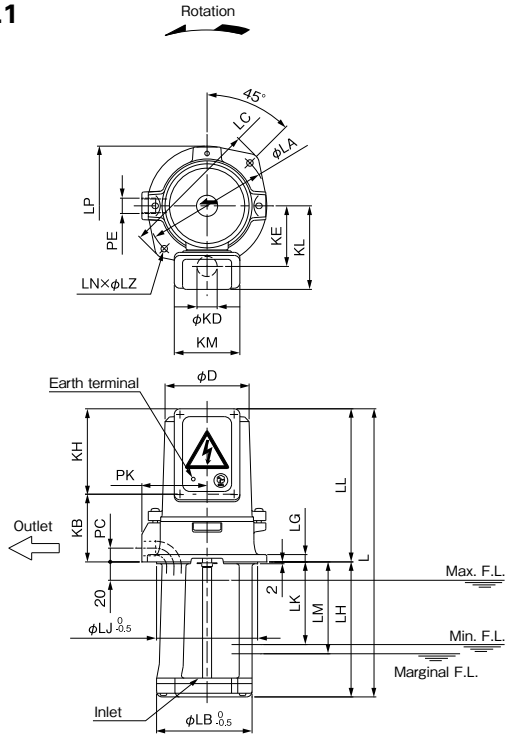
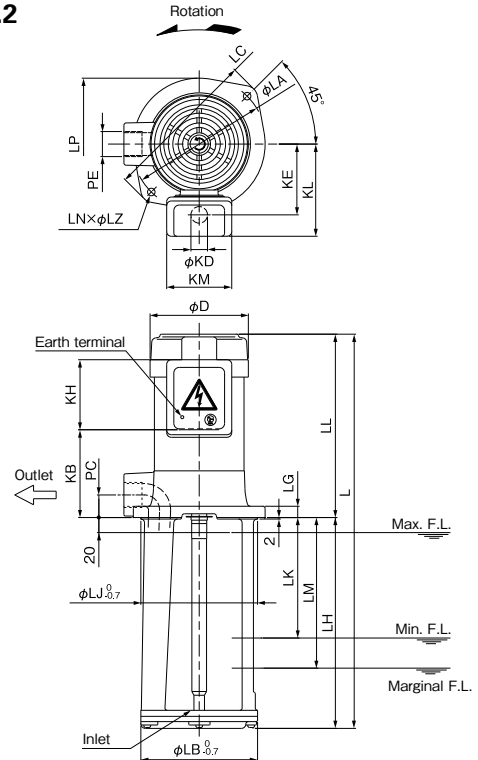


Fig.2

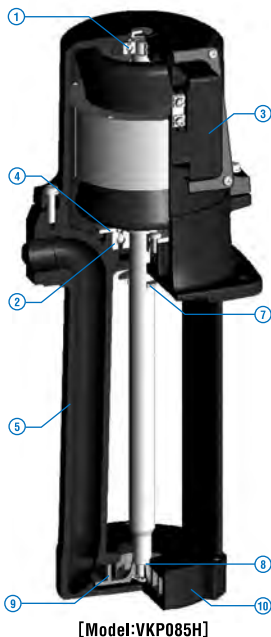


### Dimensions

(Unit : mm)

Type	Fig.	D	KB	KD	KE	KH	KL	KM	L	LA	LB	LC	LG	LH	LJ	LK	LL	LM	LN	LP	LZ	PC	PE	PK	Approx. mass (kg)
VKP055H	1	92	74	22	67	93	93	73	312	132	110	152	8	145	110	90	167	100	2	130	7	15	Rp $\frac{3}{8}$	71	6.0
VKP065H	1	92	74	22	67	93	93	73	317	132	110	152	8	147	110	100	167	110	2	130	7	15	Rp $\frac{3}{8}$	71	6.5
VKP075H	1	111	94	22	78	93	104	73	367	160	135	180	10	180	135	105	187	130	2	154	10	20	Rp $\frac{1}{2}$	80	10.0
VKP085H	1	122	106	22	81	93	107	73	449	160	135	180	10	250	135	165	199	190	2	154	10	25	Rp $\frac{3}{4}$	85	15.0
VKP095H	2	131	117	22	94	93	122	87	524	180	155	206	15	280	155	160	244	200	2	175	10	30	Rp1	—	16.5

### Sectional drawing



[Model:VKP085H]

No.	Parts Name	Materials
1	Deep groove ball bearing	
2	Deep groove ball bearing	
3	Terminal box	SPCC
4	End cover	SPHC
5	Pump leg	FC150
7	Oil thrower	SPCC
8	Adjusting washer	BsP3-1 / 2H
9	Impeller	Special resins or CAC407
10	Eddy box	FC150

Note: Structure and other details are subject to change without notice.