

Contact Details

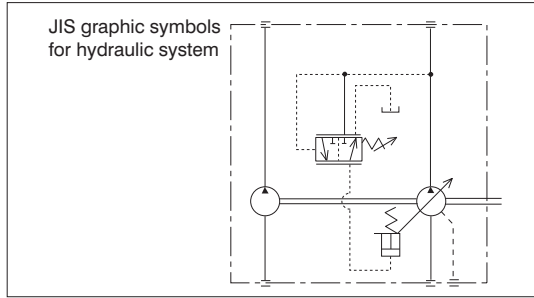
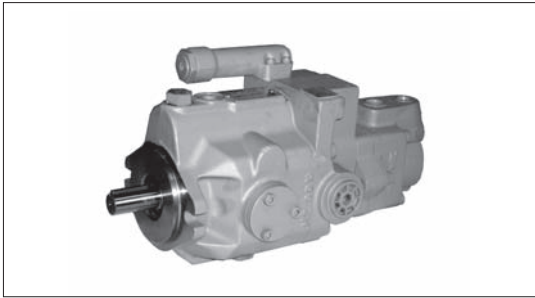
Before using the product, please check the guide pages at the front of this catalog.

Internet

<http://www.daikinpmc.com/en/>

For latest information, PDF catalogs and operation manuals

VD series Dual Pump



Nomenclature

VD
※
-
※※
A
※
R
-
※※

1
2
3
4
5
6
7

- | | |
|--|---|
| <p>1 Model No. VD: VD series Dual Pump</p> <p>2 Vane pump capacity code 1: DS11P 2: DS12P 3: DS13P 4: DS14P</p> <p>3 Piston pump capacity code 8: V 8 (8.0 cm³/rev) 15: V15 (14.8 cm³/rev) 38: V38 (37.7 cm³/rev)</p> | <p>4 Control method A: Pressure compensator control</p> <p>5 Pressure adjustment range (piston pump) 1: 0.8 to 7 MPa { 8 to 70 kgf/cm² } 2: 1.5 to 14 MPa {15 to 140 kgf/cm² } 3: 3.5 to 21 MPa {35 to 210 kgf/cm² }</p> <p>6 Direction of rotation, when viewed from the shaft end R: Clockwise (rightward)</p> <p>7 Design No. (The design No. is subject to change) 30: Pump model VD※-8A1R 95: Pump model VD※-15A※R, VD※-38A※R</p> |
|--|---|

Vane Pump Specifications

| Model code | [Conditions] Input rotational speed: 1800 min ⁻¹ , Fluid used: equivalent to ISO VG32, Fluid temperature: 40°C | | | | | | | | |
|------------|---|------------------------------------|------------------------------------|------------------------------------|-------------------------------------|------------------------------------|------------------------------------|------------------------------------|------------------------------------|
| | Discharge rate L/min | | | | Shaft input kW | | | | |
| | 0.4 MPa {4 kgf/cm ² } | 3 MPa {30 kgf/cm ² } | 5 MPa {50 kgf/cm ² } | 7 MPa {70 kgf/cm ² } | 0.4 MPa {4 kgf/cm ² } | 1 MPa {10 kgf/cm ² } | 3 MPa {30 kgf/cm ² } | 5 MPa {50 kgf/cm ² } | 7 MPa {70 kgf/cm ² } |
| DS11P | 5.0 | 4.5 | 4.1 | 3.9 | 0.15 | 0.28 | 0.55 | 0.82 | 1.1 |
| DS12P | 7.7 | 7.2 | 6.7 | 6.5 | 0.20 | 0.40 | 0.75 | 1.12 | 1.5 |
| DS13P | 12.6 | 11.8 | 11.5 | 11.0 | 0.25 | 0.50 | 1.05 | 1.55 | 2.1 |
| DS14P | 22.1 | 21.2 | 20.5 | 20.0 | 0.35 | 0.77 | 1.65 | 2.50 | 3.4 |

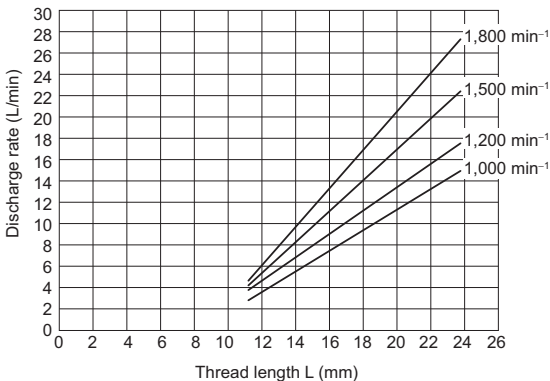
Note: Vane pump models
DS1※P-20S5: For VD※-8A1R-30, DS1※P-20S2: For VD※-15A※R-95 or VD※-38A※R-95

Piston Pump Specifications

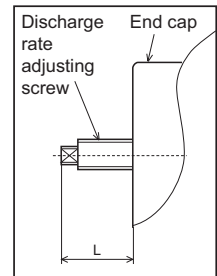
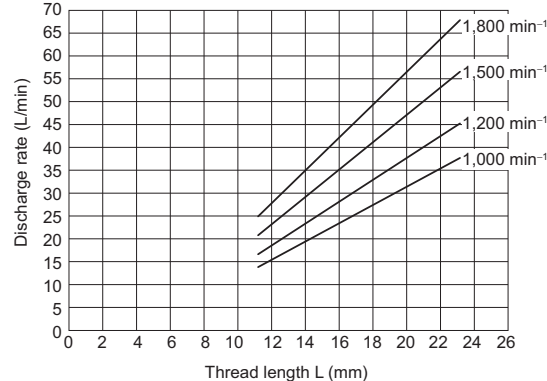
Relationship between the protruding length of the discharge rate adjusting screw and the discharge rate

● The discharge rate can be roughly judged from the protruding length of the discharge rate adjusting screw (L).
(Note: The discharge rate for VD※-8A1R-30 cannot be adjusted.)

VD※-15A※R-95



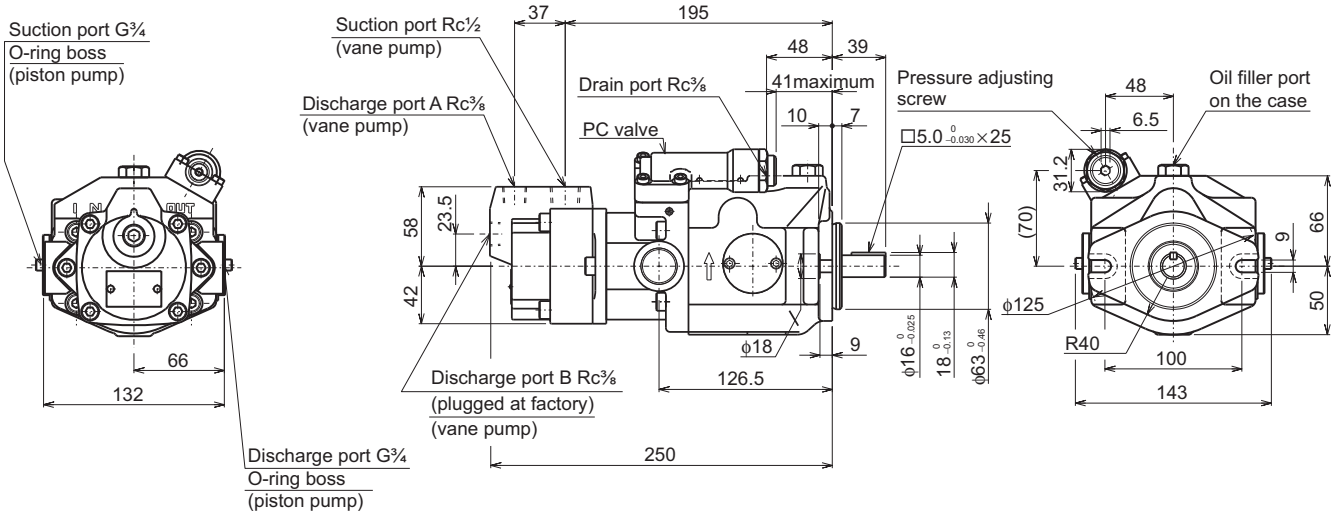
VD※-38A※R-95



Refer to Page A-8 for other detailed specifications.

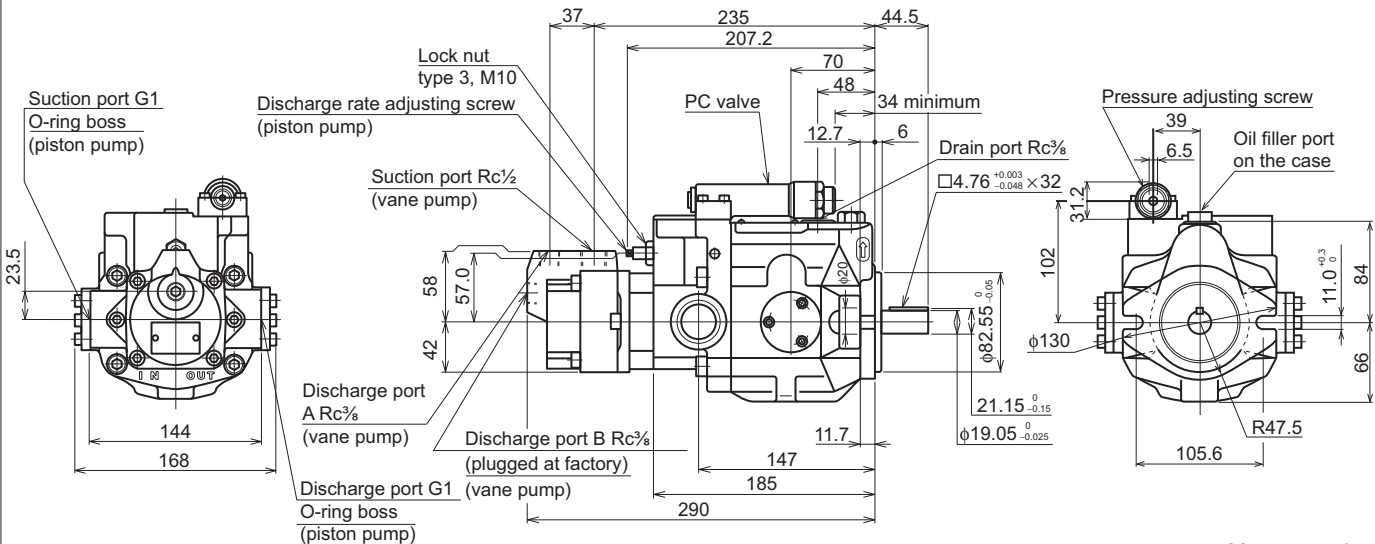
External dimension diagram

VD×-8A1R-30



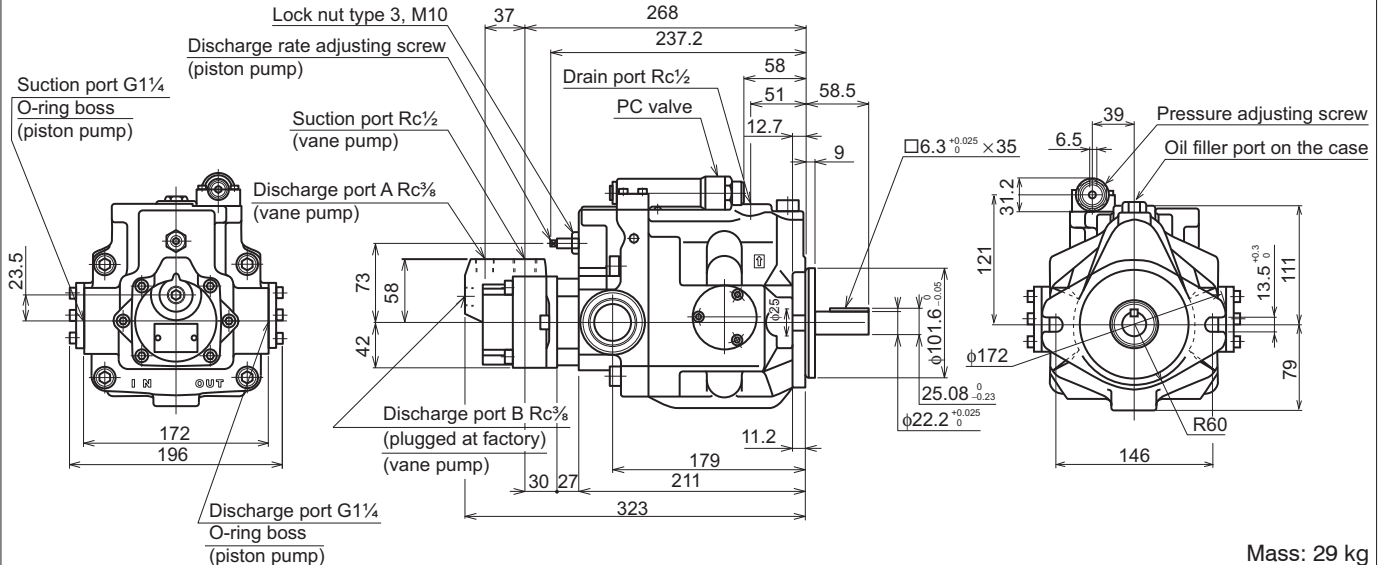
Mass: 13 kg

VD×-15A×R-95



Mass: 17.2 kg

VD×-38A×R-95



Mass: 29 kg