

Contact Details

Before using the product, please check the guide pages at the front of this catalog.

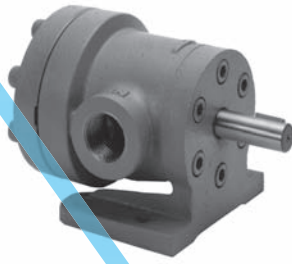
Internet

<http://www.daikinpmc.com/en/>

For latest information, PDF catalogs and operation manuals

From March 2012, these products have shifted to the DEV series although they are still available for service purposes. Therefore, use the DEV series instead.

Single Stage Vane Pump



Features

- **Low noise and low pulsation**

The cam ring minimizes the fluctuation of the discharge rate and achieves quiet operation sound and stable performance with little pulsation.

- **High reliability**

Good pressure balance can be kept due to the structure which maintains complete all equalization. As a result, a long life is promised because an eccentric load will not be on the shaft and bearing.

Nomenclature

※ - DV ※ ※ - ※V - 20 - ※
 1 2 3 4 5 6 7

1 Applicable fluid code

No designation: Working oil with petroleum contents
 W: Water/oil emulsion type hydraulic fluid
 Water-glycol hydraulic fluid
 F: Phosphate ester hydraulic fluid

2 Model No.

DV: Single stage vane pump

3 Pump capacity code

S: Small type
 M: Middle type
 L: Large type

4 Installation types

F: Flange mount type
 B: Foot support mount type

5 Discharge code (See the specification table)

6 Design No.

(The design No. is subject to change)

7 Direction of rotation, when viewed from the shaft end

No designation: Clockwise (rightward)
 L: Counterclockwise (leftward)

Note: DVL※ type: Flanges for the connection to suction and to discharge, and O-rings and bolts are attached to pumps.

Specifications

Model No.	[Conditions] Input rotational speed: 1200 min ⁻¹ , Fluid used: equivalent to ISO VG32, Fluid temperature: 40°C									
	Discharge rate L/min				Shaft input kW					
	0.4MPa {4 kgf/cm ² }	3MPa {30 kgf/cm ² }	5MPa {50 kgf/cm ² }	7MPa {70 kgf/cm ² }	0.4MPa {4 kgf/cm ² }	1MPa {10 kgf/cm ² }	3MPa {30 kgf/cm ² }	5MPa {50 kgf/cm ² }	7MPa {70 kgf/cm ² }	
DVS※-1V	6.4	5.9	5.4	5.0	0.2	0.3	0.7	1.0	1.4	
DVS※-2V	9.0	8.4	8.0	7.5	0.29	0.4	0.8	1.3	1.7	
DVS※-3V	13.5	12.6	12.3	12.0	0.34	0.5	1.1	1.7	2.4	
DVS※-4V	19.5	18.8	18.4	18.0	0.42	0.6	1.4	2.3	3.2	
DVS※-5V	33.0	32.2	31.6	31.0	0.59	1.0	2.3	3.6	4.9	
DVS※-6V	43.0	42.2	41.6	41.0	0.78	1.3	2.9	4.5	6.2	
DVM※-1V	57.0	55.5	53.8	52.0	0.85	1.6	3.8	6.0	8.5	
DVM※-2V	72.0	70.0	68.5	67.0	1.4	2.2	4.8	7.7	10.5	
DVM※-3V	87.0	85.0	83.5	82.0	1.9	2.7	6.2	9.6	13.0	
DVM※-4V	108.0	106.0	104.5	103.0	2.4	3.6	7.8	11.9	16.0	
DVM※-5V	140.0	137.0	135.5	134.0	3.1	4.6	9.5	14.3	19.0	
DVL※-2V	164.0	157.0	152.0	148.0	4.4	6.2	11.6	17.3	23.0	
DVL※-3V	207.0	200.0	196.0	192.0	5.2	7.5	15.0	22.5	28.3	
DVL※-4V	226.0	219.0	216.0	208.0	6.4	8.8	16.7	24.8	31.5	

Mass (kg)

Pump model	Flange mount type	Foot support mount type
DVS※	10	11
DVM※	26	28
DVL※	107	110

Note: The masses of the DVL※ models include the piping flange and bolts.

Contact Details

Before using the product, please check the guide pages at the front of this catalog.

Internet

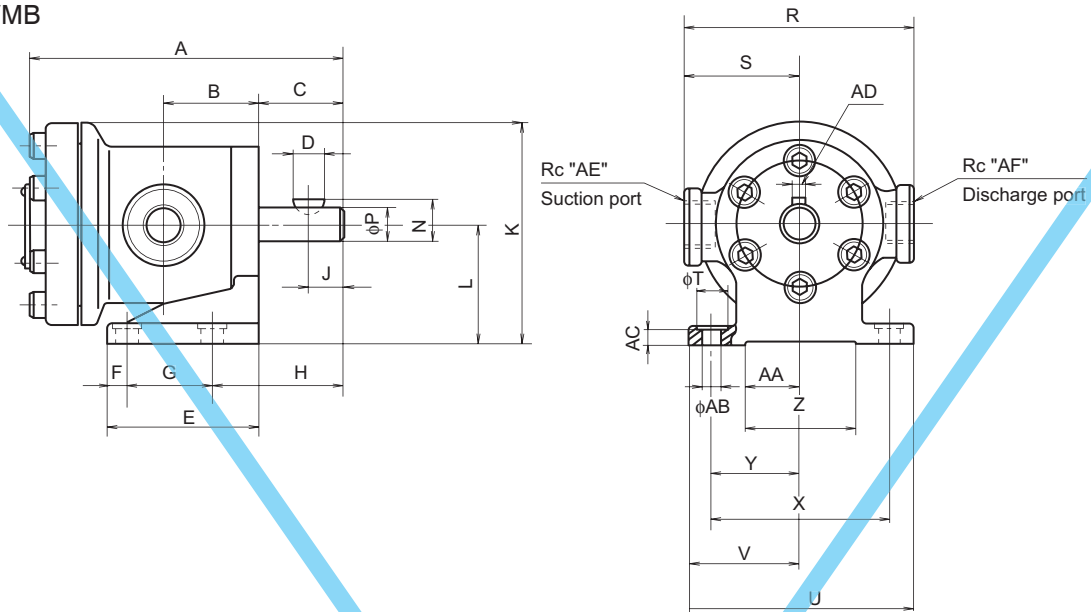
<http://www.daikinpmc.com/en/>

For latest information, PDF catalogs and operation manuals

VANE PUMPS

External dimension diagram

DVSB, DVMB



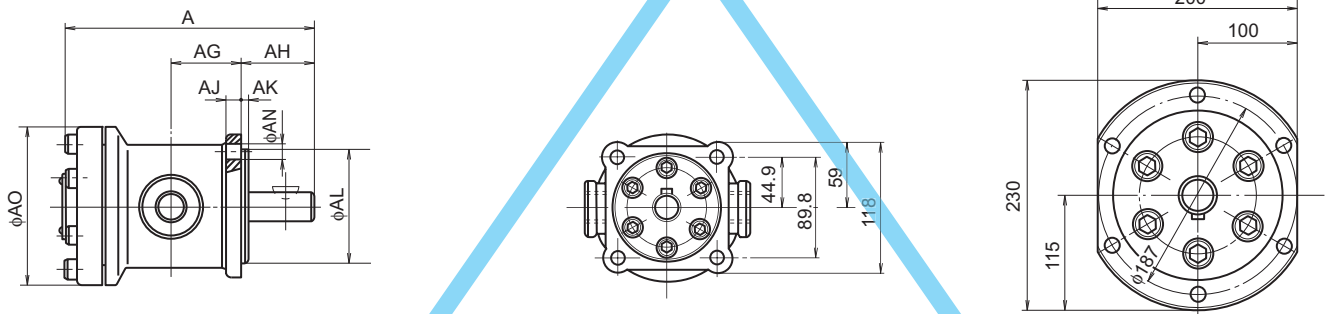
Model code	Dimensions																
	A	B	C	D	E	F	G	H	J	K	L	N	P	R	S	T	
DVS*-*V-20	194	52.5	51	21.6	97	14.5	50.8	82.7	16	132	70	$0_{-0.2}$	$21.45_{-0.2}^{+0}$	$19.05_{-0.021}^0$	137	68.5	20
DVM*-*V-20	235	55	54	25.4	140	13	114.3	66.7	16	186	101.7	$0_{-0.22}$	$27.7_{-0.2}^{+0}$	$25.4_{-0.021}^0$	200	100	25.5

Dimensions																	
U	V	X	Y	Z	AA	AB	AC	AD	AE	AF	AG	AH	AJ	AK	AL	AN	AO
130	65	101.6	50.8	76	38	11	12	$4.76_{-0.03}^0$	1	$\frac{3}{4}$	48	55.5	13	5	$95.22_{-0.035}^0$	11	124
222	111	196.8	98.4	152	76	14	15	$4.76_{-0.03}^0$	$1\frac{1}{2}$	$1\frac{1}{4}$	58.1	50.9	16	6.4	$158.75_{-0.075}^0$	18	168

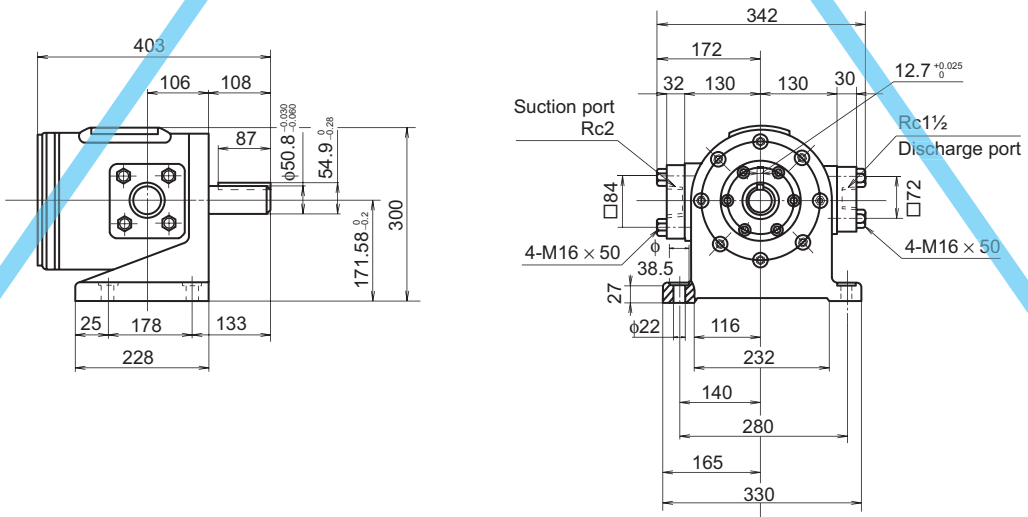
DVSF, DVMF

DVSF

DVMF



DVLB



Contact Details

Before using the product, please check the guide pages at the front of this catalog.

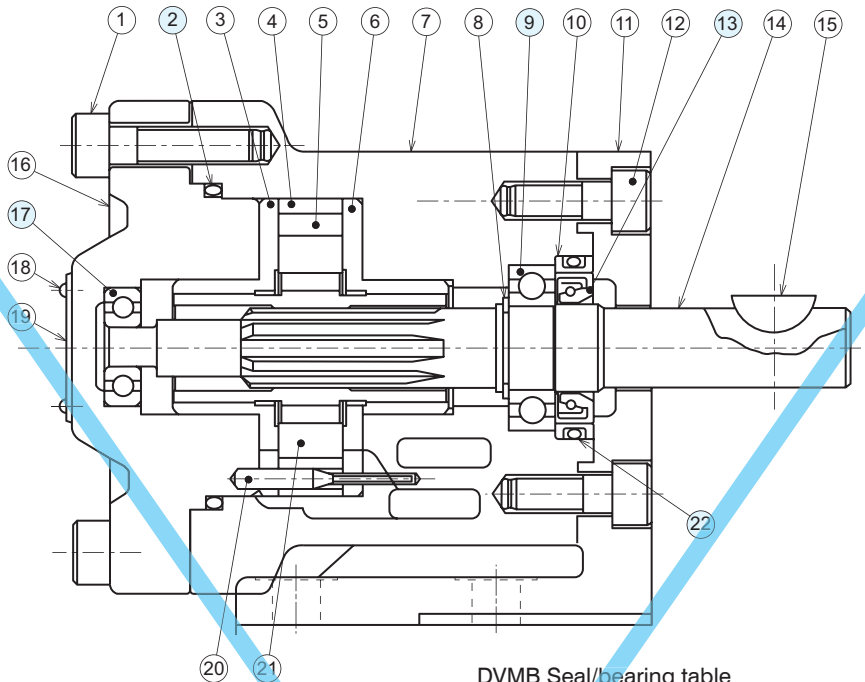
Internet

<http://www.daikinpmc.com/en/>

For latest information, PDF catalogs and operation manuals

Sectional structural diagram

DVSB, DVMB



DVSB Seal/bearing table

Part No.	Name	Specifications	Material	Quantity
2	O-ring	JIS B 2401 1A-G75	NBR	1
9	Ball bearing	6004		1
13	Oil seal	TC22388	NBR	1
17	Ball bearing	6200		1
22	O-ring	JIS B 2401 1A-G40	NBR	1

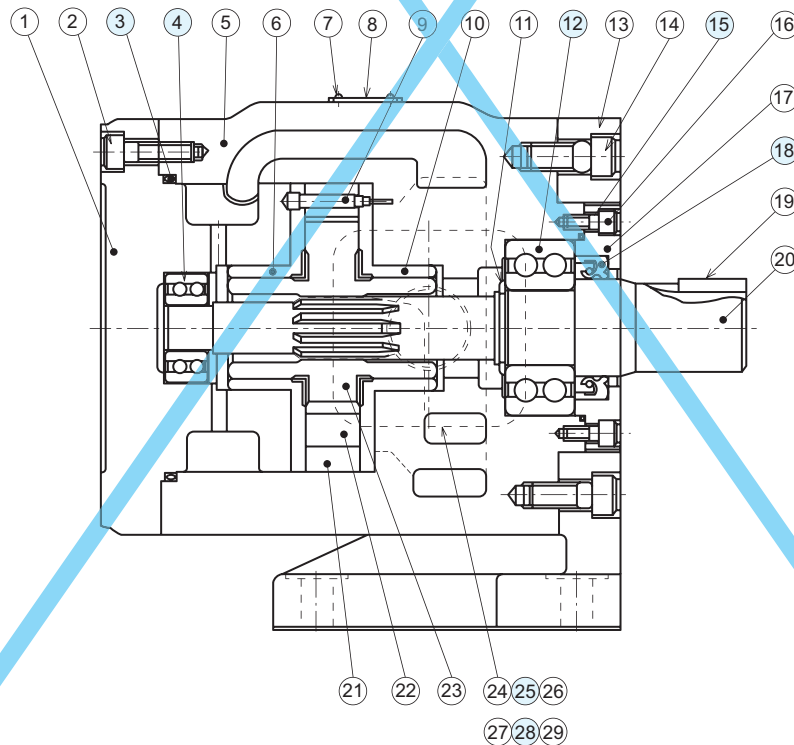
Note: TC22.4388 is used in the previous design.

DVMB Seal/bearing table

Part No.	Name	Specifications	Material	Quantity
2	O-ring	JIS B 2401 1A-G120	NBR	1
9	Ball bearing	6205		1
13	Oil seal	TC32458	NBR	1
17	Ball bearing	6203		1
22	O-ring	JIS B 2401 1A-G50	NBR	1

Note: TC31.5458 is used in the previous design.

DVLB



DVLB Seal/bearing table

Part No.	Name	Specifications	Material	Quantity
3	O-ring	JIS B 2401 1A-G160	NBR	1
4	Ball bearing	5305		1
12	Ball bearing	5309		1
15	O-ring	JIS B 2401 1A-G100	NBR	1
18	Oil seal	TCV557812	NBR	1
25	O-ring	AS568-330 (HS70)	NBR	1
28	O-ring	AS568-335 (HS70)	NBR	1

Note: (25) is the O-ring at the discharge port flange and (28) is the O-ring at the suction port flange.