

Contact Details

Before using the product, please check the guide pages at the front of this catalog.

Internet

<http://www.daikinpmc.com/en/>

For latest information, PDF catalogs and operation manuals

M Series Motor Pumps



Features

- These are motor pumps that integrate a V series piston pump and an electric motor in one body.

Nomenclature

● Pressure compensator control

※ - M ※※ A ※ ※ - ※※ - ※※ - ※※
 1 2 3 4 5 15 17 12 16

● Combination control (pressure feedback method)

※ - M ※※ C ※ ※ H X - ※※ - ※※ - ※※
 1 2 3 4 7 8 13 15 17 12 16

● Combination control (solenoid operated method)

※ - M ※※ C ※ ※ J ※ X - ※※ - ※※ - ※※
 1 2 3 4 7 8 13 14 15 17 12 16

● Dual pressure control

※ - M ※※ D ※ ※ ※ X - ※※ - ※※ - ※※
 1 2 3 4 9 10 14 15 17 12 16

● Power-match control

※ - M ※※ SA ※ ※ ※ - ※※ - ※※
 1 2 3 4 6 11 15 12 16

1 Applicable fluid code (Refer to Page B-1 for the applicable models)

No designation: Petroleum-based hydraulic fluid
 W: Water-glycol hydraulic fluid
 F: Phosphate ester hydraulic fluid

2 Model No.

M: M series motor pump

3 Pump capacity

8: V 8 (8.0 cm³/rev)
 15: V15 (14.8 cm³/rev)
 23: V23 (23.0 cm³/rev)
 38: V38 (37.7 cm³/rev)

4 Control method I (Refer to Page B-1 for the applicable models)

A: Pressure compensator control
 C: Combination control
 D: Dual pressure control
 SA: Power-match control

5 6 Pressure adjustment range (See the pressure adjustment range table)

7 9 Low pressure adjustment range (See the pressure adjustment range table)

8 10 High pressure adjustment range (See the pressure adjustment range table)

11 FC valve differential pressure

A: 0.7 MPa { 7 kgf/cm² }
 B: 1.4 MPa { 14 kgf/cm² }
 C: 2.1 MPa { 21 kgf/cm² }

12 Motor output code (See the motor specification table)

13 Control method II

H: Pressure feedback method
 J: Solenoid operated method

14 Voltage code for the solenoid valve

A: AC 100 V (50/60 Hz), AC 110 V (60 Hz)
 B: AC 200 V (50/60 Hz), AC 220 V (60 Hz)
 N: DC 12 V
 P: DC 24 V

15 Piping direction (Refer to Page B-1 for the applicable models)

No designation: Axial port
 X: Side port

16 Design No. (The design No. is subject to change) *1

50: Pump model M8
 90: Pump model M15
 60: Pump model M23
 70: Pump model M38

17 Control method III (Refer to Page B-1 for the applicable models)

No designation: Without remote control system
 RC: With remote control system

Note: *1 Refer to Pages B-11 to 17 for information on forward/backward compatibility.

Note: JR-G(T)02 and JRP-G02 are recommended for the relief valve of the remote control system. If the vent port is blocked, the pressure compensator does not function and the pump operates at a fixed pressure.

Models and pressure adjustment range table

● **Pressure compensator control (4 = A)**

5 Pressure adjustment range

Code	Pressure adjustment range MPa {kgf/cm ² }	Without remote control system				With remote control system		
		M8	M15	M23	M38	M15	M23	M38
1	0.8 to 7 { 8 to 70 }	✓	✓	✓	✓	-	-	-
2	1.5 to 14 {15 to 140 }	-	✓	✓	✓	-	-	-
3	1.5 to 21 {15 to 210 }	-	-	-	-	✓	-	-
3	3.5 to 21 {35 to 210 }	-	✓	✓	✓	-	-	-
4	1.5 to 25 {15 to 250 }	-	-	-	-	-	✓	✓
4	3.5 to 25 {35 to 250 }	-	-	✓	✓	-	-	-

● **Combination control [4 = C, 13 = H (pressure feedback method) or 13 = J (solenoid operated method)]**

7 Low pressure adjustment range

Code	Pressure adjustment range MPa {kgf/cm ² }	Pressure feedback method			Solenoid operated method		
		M15	M23	M38	M15	M23	M38
1	1.5 to 7 {15 to 70 }	-	-	-	✓	✓	✓
1	2.5 to 7 {25 to 70 }	✓	✓	✓	-	-	-
2	1.5 to 14 {15 to 140 }	-	-	-	✓	✓	✓
2	2.5 to 14 {25 to 140 }	✓	✓	✓	-	-	-

8 High pressure adjustment range

Code	Pressure adjustment range MPa {kgf/cm ² }	Without remote control system						With remote control system					
		Pressure feedback method			Solenoid operated method			Pressure feedback method			Solenoid operated method		
		M15	M23	M38	M15	M23	M38	M15	M23	M38	M15	M23	M38
1	1.5 to 7 {15 to 70 }	-	-	-	✓	✓	✓	-	-	-	-	-	-
1	2.5 to 7 {25 to 70 }	✓	✓	✓	-	-	-	-	-	-	-	-	-
2	1.5 to 14 {15 to 140 }	-	-	-	✓	✓	✓	-	-	-	-	-	-
2	2.5 to 14 {25 to 140 }	✓	✓	✓	-	-	-	-	-	-	-	-	-
3	3.5 to 21 {35 to 210 }	✓	✓	✓	✓	✓	✓	✓	-	-	✓	-	-
4	3.5 to 25 {35 to 250 }	-	✓	✓	-	✓	✓	-	✓	✓	-	✓	✓

● **Dual pressure control (4 = D)**

9 Low pressure adjustment range

Code	Pressure adjustment range MPa {kgf/cm ² }	M15	M23	M38
1	1.5 to 7 {15 to 70 }	✓	✓	✓
2	1.5 to 14 {15 to 140 }	✓	✓	✓

Note: If both low and high pressure adjustment ranges are the 1st pattern, the pressure adjustment range becomes 0.8 to 7 MPa {8 to 70 kgf/cm²}.

10 High pressure adjustment range

Code	Pressure adjustment range MPa {kgf/cm ² }	Without remote control system			With remote control system		
		M15	M23	M38	M15	M23	M38
1	1.5 to 7 {15 to 70 }	✓	✓	✓	-	-	-
2	1.5 to 14 {15 to 140 }	✓	✓	✓	-	-	-
3	3.5 to 21 {35 to 210 }	✓	✓	✓	✓	-	-
4	3.5 to 25 {35 to 250 }	-	✓	✓	-	✓	✓

● **Power-match control (4 = SA)**

6 Pressure adjustment range

Code	Pressure adjustment range MPa {kgf/cm ² }	M15	M23	M38
1	0.8 to 7 { 8 to 70 }	✓	✓	✓
2	1.5 to 14 {15 to 140 }	✓	✓	✓
3	3.5 to 21 {35 to 210 }	✓	✓	✓

Contact Details

Before using the product, please check the guide pages at the front of this catalog.

Internet

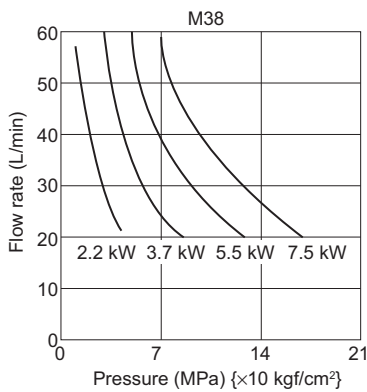
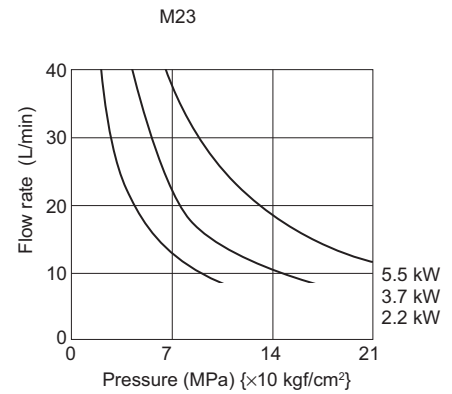
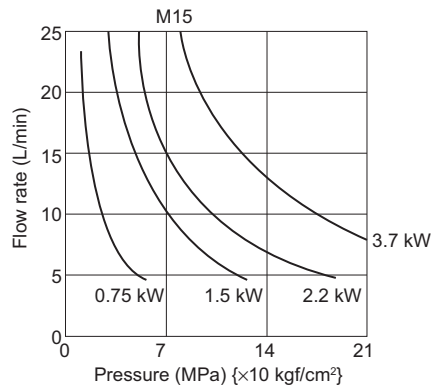
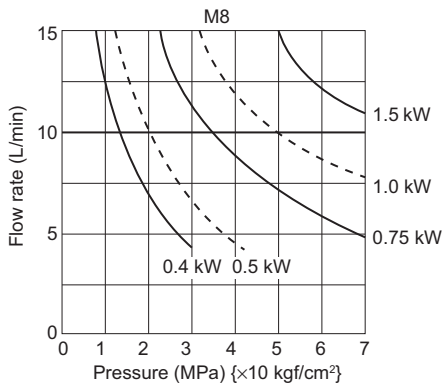
<http://www.daikinpmc.com/en/>

For latest information, PDF catalogs and operation manuals

12: Motor output and specifications

Code	Output (kW) (Number of poles: 4P)	Motor rated ampere A			Applicable model			
		200 V (50 Hz)	200 V (60 Hz)	220 V (60 Hz)	M8	M15	M23	M38
05	0.4	2.2	2.0	2.0	✓	-	-	-
1	0.75	3.8	3.4	3.4	✓	✓	-	-
2	1.5	6.8	6.2	6.0	✓	✓	-	-
3	2.2	9.3	8.8	8.3	-	✓	✓	✓
5	3.7	15.0	14.0	13.2	-	✓	✓	✓
7	5.5	22.4	21.0	19.6	-	-	✓	✓
10	7.5	28.8	27.6	25.6	-	-	-	✓

Motor output characteristics selection curves



Contact Details

Before using the product, please check the guide pages at the front of this catalog.

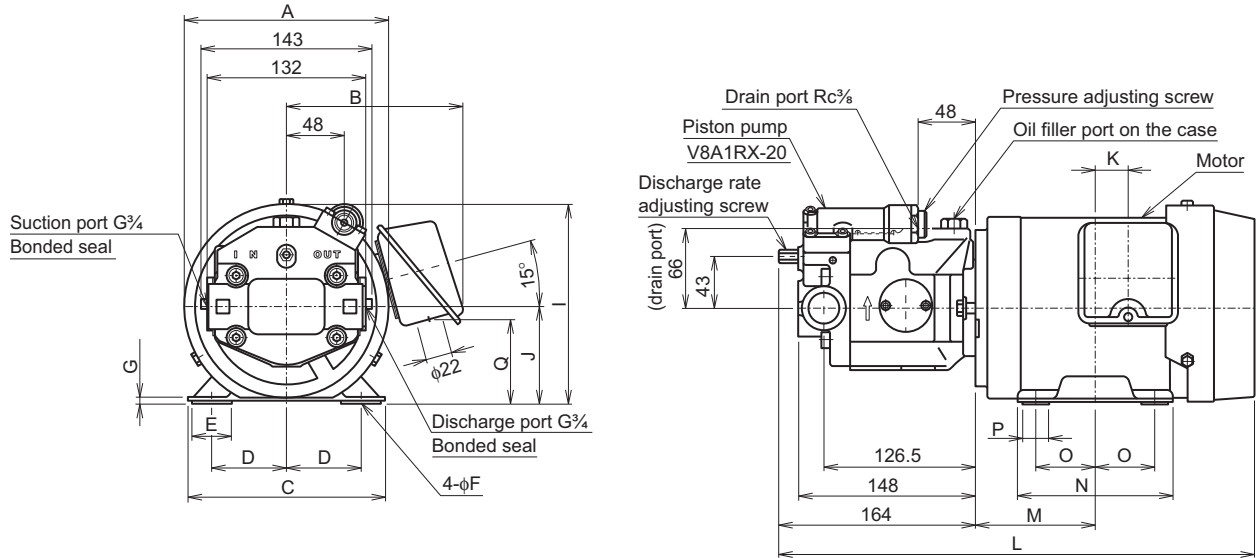
Internet

<http://www.daikinpmc.com/en/>

For latest information, PDF catalogs and operation manuals

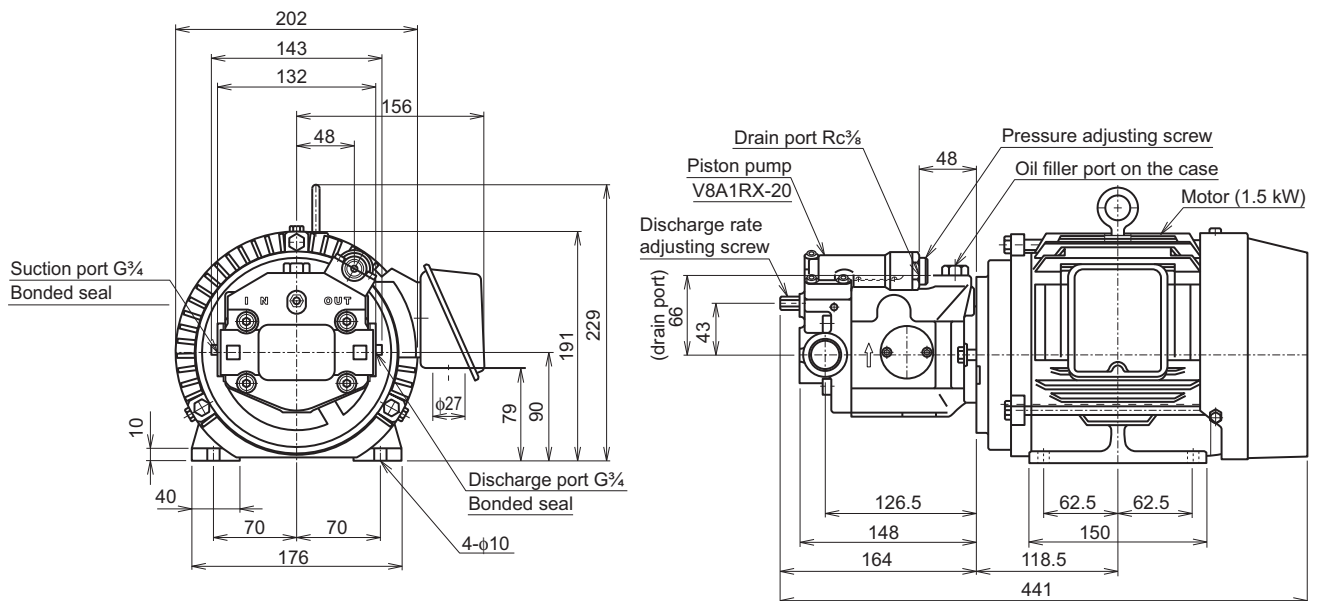
External dimension diagram

M8A1X-※-50



Motor pump model code	A	B	C	D	E	F	G	I	J	K	L	M	N	O	P	Q	Motor output kW	Mass kg
M8A1X-05-50	150	137	140	56	30	7 × 15	2.3	146	71	35	395	110	110	45	25	58	0.4	17.9
M8A1X-1-50	170	146	165	62.5	33	10 × 18	4.5	165	80	27.5	397	100	130	50	22	69	0.75	23.4

M8A1X-2-50



Mass 32.4 kg

Contact Details

Before using the product, please check the guide pages at the front of this catalog.

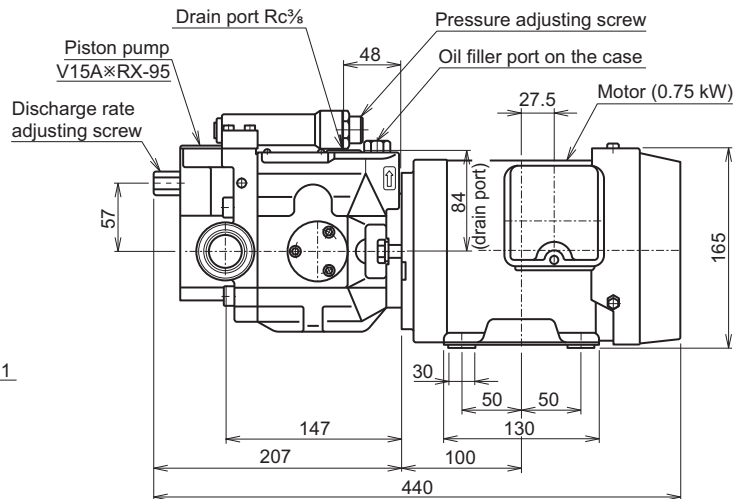
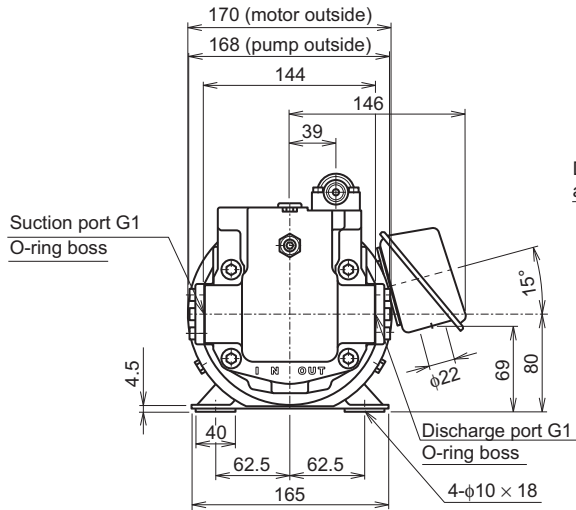
Internet

<http://www.daikinpmc.com/en/>

For latest information, PDF catalogs and operation manuals

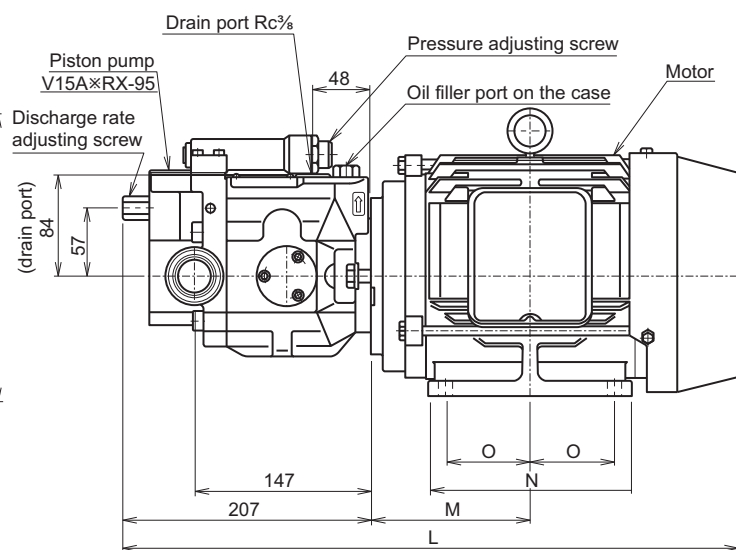
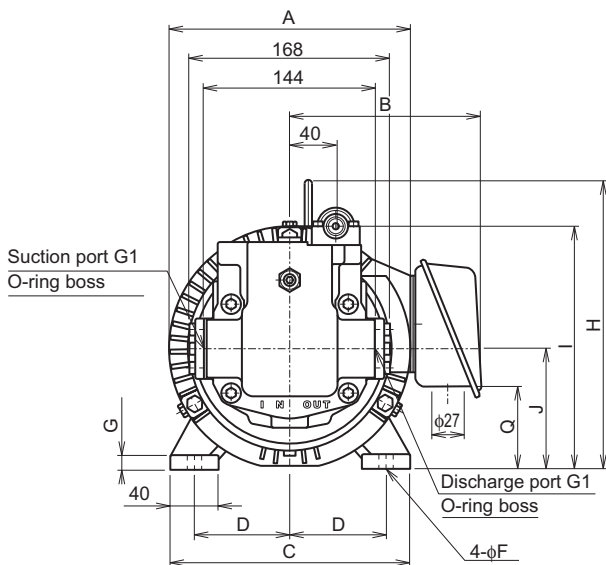
External dimension diagram

M15A×X-1-90



Mass 29.0 kg

M15A×X-×-90



Motor pump model code	A	B	C	D	F	G	H	I	J	L	M	N	O	Q	Motor output kW	Mass kg
M15A×X-2-90	202	156	176	70	10	10	229	191	90	484	118.5	150	62.5	77	1.5	38.0
M15A×X-3-90	202	161	200	80	12	12	239	201	100	513	133	168	70	68	2.2	46.5
M15A×X-5-90	243	177	220	95	12	12	274	233	112	530	140	168	70	90	3.7	58.5

Contact Details

Before using the product, please check the guide pages at the front of this catalog.

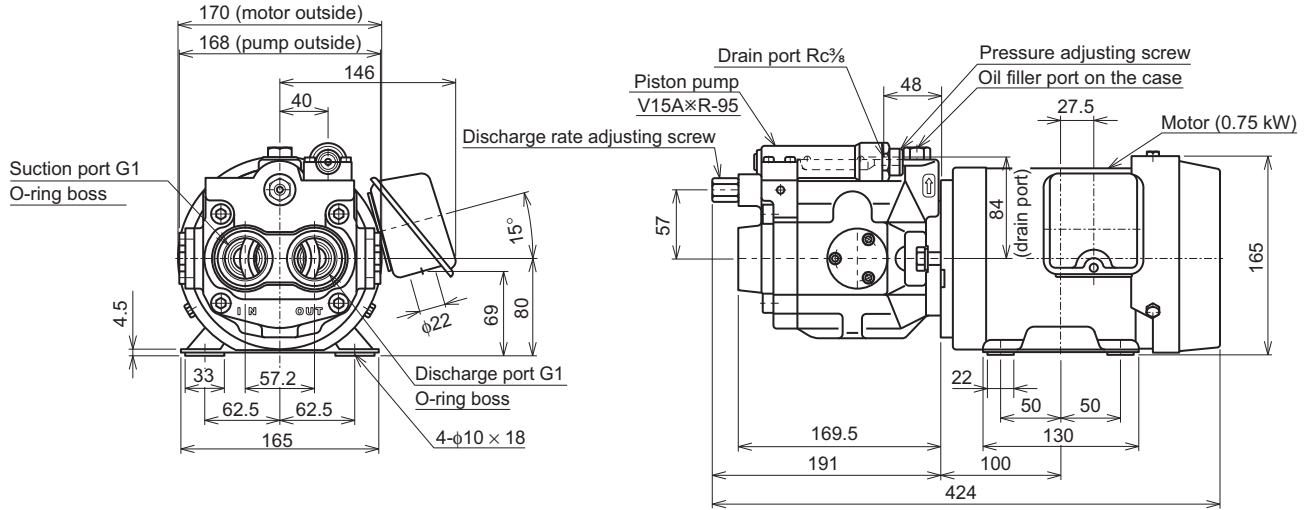
Internet

<http://www.daikinpmc.com/en/>

For latest information, PDF catalogs and operation manuals

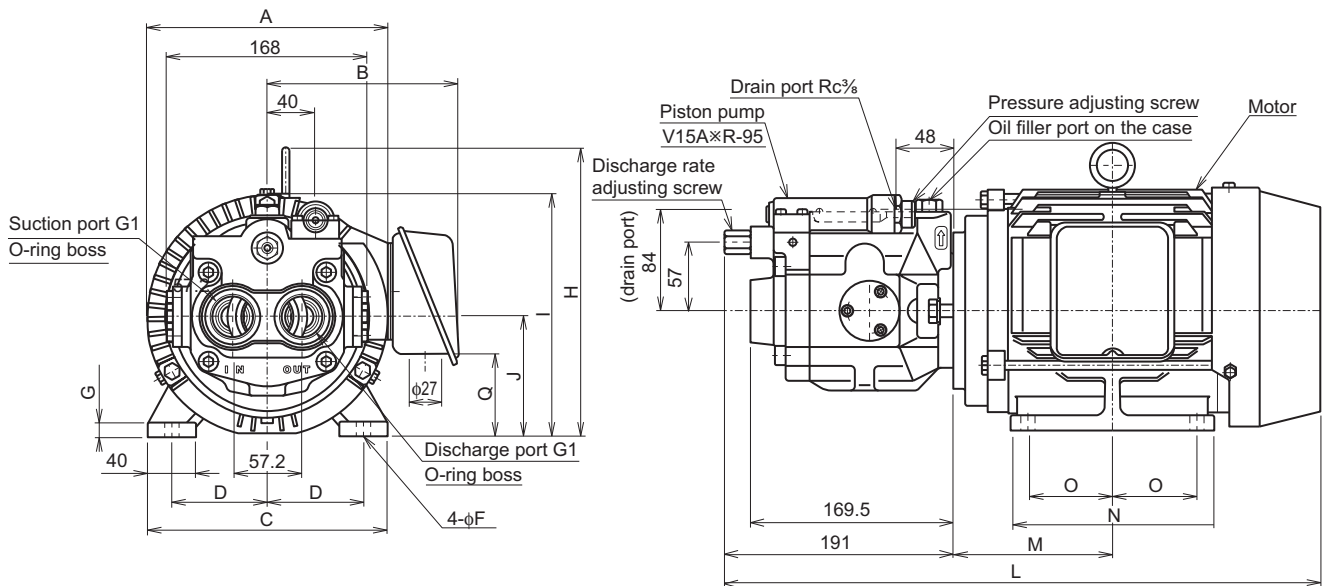
External dimension diagram

M15A×-1-90



Mass 27.3 kg

M15A×-×-90



Motor pump model code	A	B	C	D	F	G	H	I	J	L	M	N	O	Q	Motor output kW	Mass kg
M15A×-2-90	202	156	176	70	10	10	229	191	90	468	118.5	150	62.5	77	1.5	36.3
M15A×-3-90	202	161	200	80	12	12	239	201	100	497	133	168	70	68	2.2	44.8
M15A×-5-90	243	177	220	95	12	12	274	233	112	514	140	168	70	90	3.7	56.8

Contact Details

Before using the product, please check the guide pages at the front of this catalog.

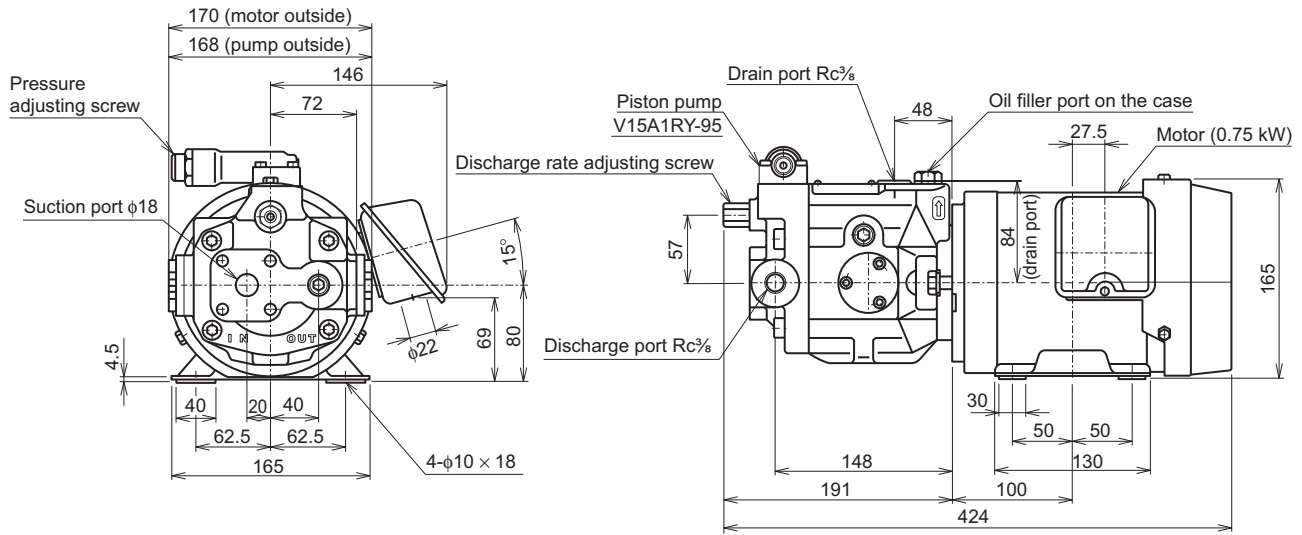
Internet

<http://www.daikinpmc.com/en/>

For latest information, PDF catalogs and operation manuals

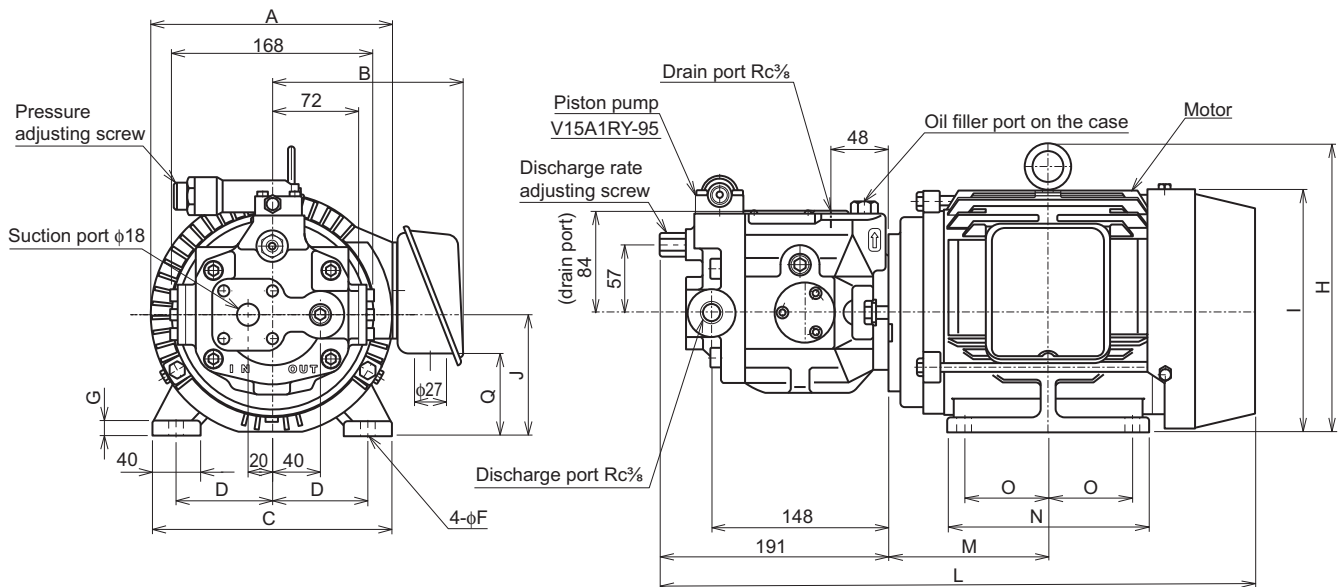
External dimension diagram

M15A1Y-1-90



Mass 28.0 kg

M15A1Y-~~X~~-90



Motor pump model code	A	B	C	D	F	G	H	I	J	L	M	N	O	Q	Motor output kW	Mass kg
M15A1Y-2-90	202	156	176	70	10	10	229	191	90	468	118.5	150	62.5	77	1.5	37
M15A1Y-3-90	202	161	200	80	12	12	239	201	100	497	133	168	70	68	2.2	49.5
M15A1Y-5-90	243	177	220	95	12	12	274	233	112	514	140	168	70	90	3.7	57.5

Contact Details

Before using the product, please check the guide pages at the front of this catalog.

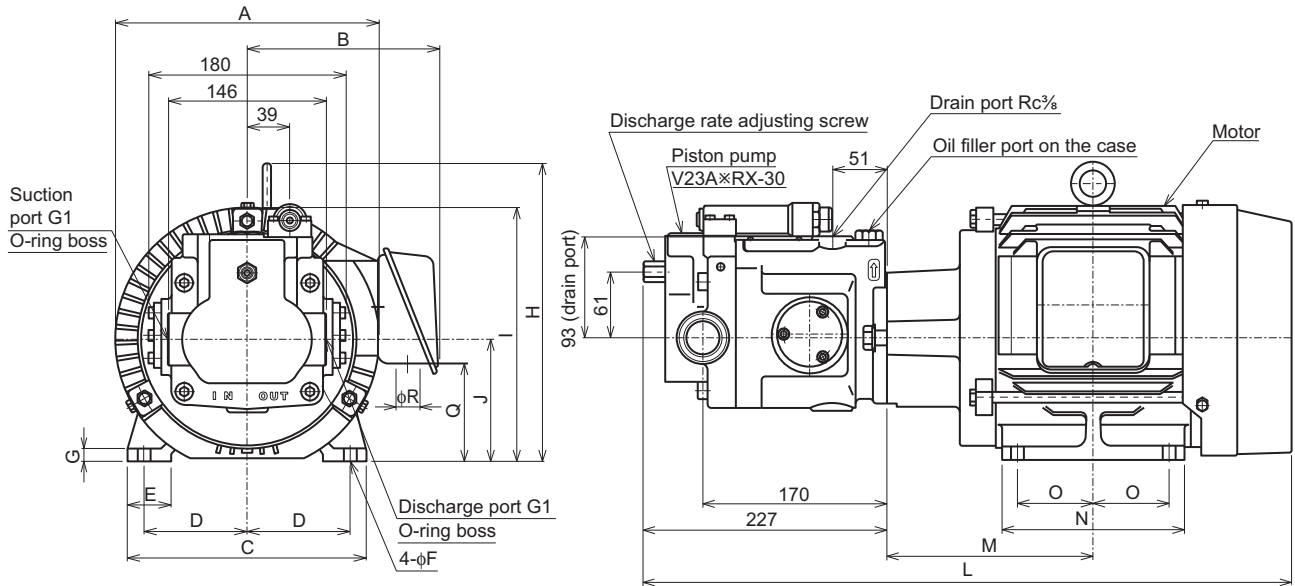
Internet

<http://www.daikinpmc.com/en/>

For latest information, PDF catalogs and operation manuals

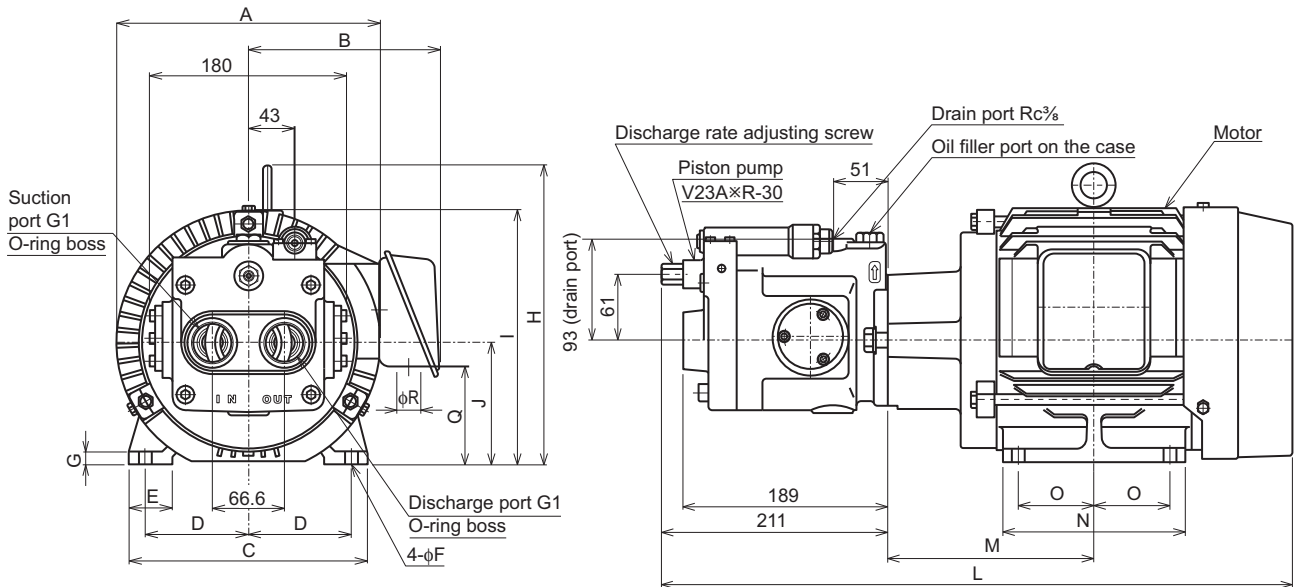
External dimension diagram

M23A×X-×-60



Motor pump model code	A	B	C	D	E	F	G	H	I	J	K	L	M	N	O	P	Q	R	Motor output kW	Mass kg
M23A×X-3-60	202	161	200	80	40	12	12	239	201	100	-	583	183	168	70	-	68	27	2.2	52.0
M23A×X-5-60	243	177	220	95	40	12	12	274	234	112	-	600	190	168	70	-	90	27	3.7	67.0
M23A×X-7-60	285	212	260	108	50	12	15	325	275	132	-	652	215	175	70	-	112	35	5.5	97.0

M23A×-×-60



Motor pump model code	A	B	C	D	E	F	G	H	I	J	K	L	M	N	O	P	Q	R	Motor output kW	Mass kg
M23A×-3-60	202	161	200	80	40	12	12	239	201	100	-	567	183	168	70	-	68	27	2.2	49.0
M23A×-5-60	243	177	220	95	40	12	12	274	234	112	-	584	190	168	70	-	90	27	3.7	64.0
M23A×-7-60	285	212	260	108	50	12	15	325	275	132	-	636	215	175	70	-	112	35	5.5	94.0

Contact Details

Before using the product, please check the guide pages at the front of this catalog.

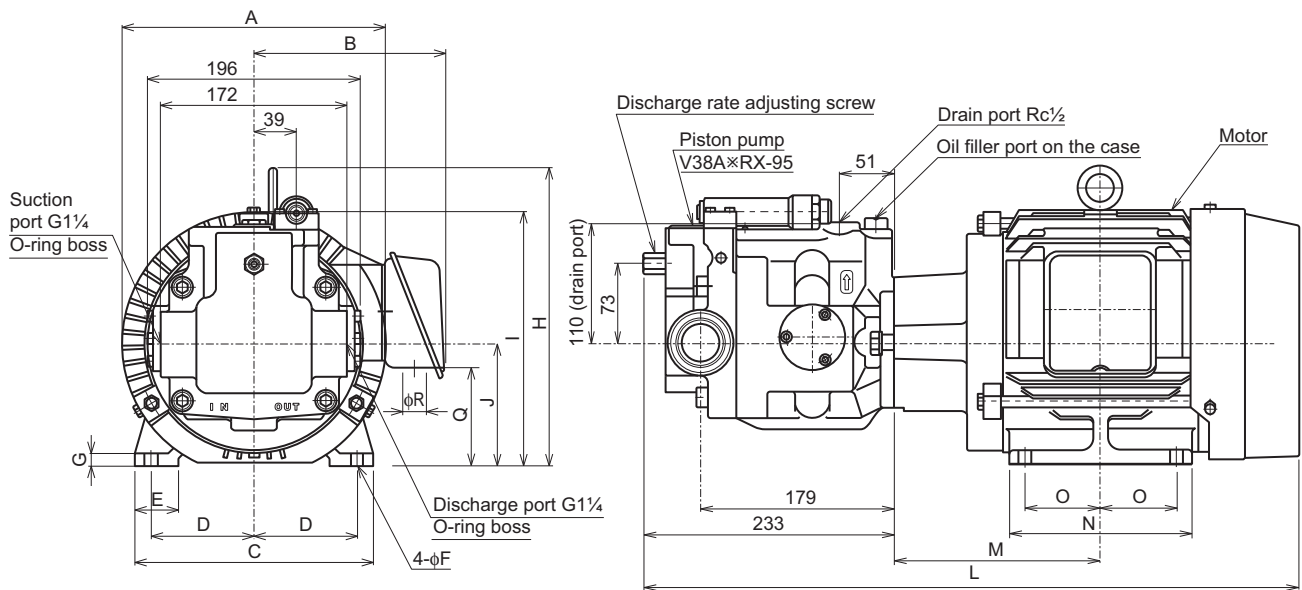
Internet

<http://www.daikinpmc.com/en/>

For latest information, PDF catalogs and operation manuals

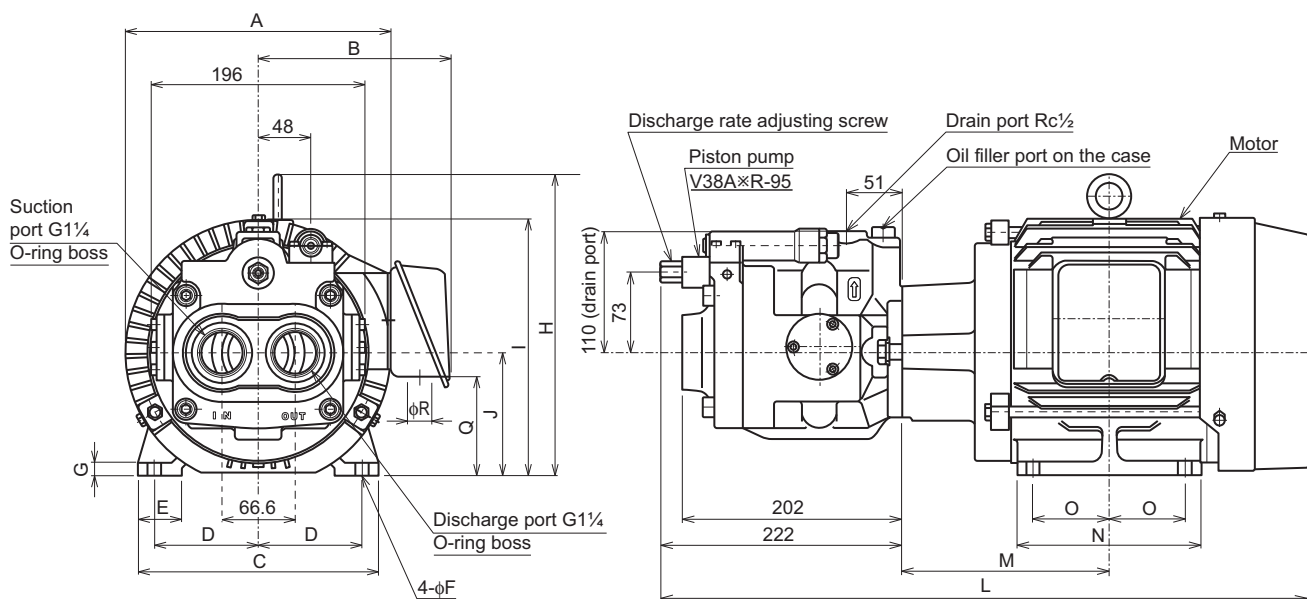
External dimension diagram

M38A×X-×-70



Motor pump model code	A	B	C	D	E	F	G	H	I	J	K	L	M	N	O	P	Q	R	Motor output kW	Mass kg
M38A×X-3-70	202	161	200	80	40	12	12	239	201	100	-	589	183	168	70	-	68	27	2.2	56.0
M38A×X-5-70	243	177	220	95	40	12	12	274	234	112	-	606	190	168	70	-	90	27	3.7	71.0
M38A×X-7-70	285	212	260	108	50	12	15	325	275	132	-	658	215	175	70	-	112	35	5.5	93.0
M38A×X-10-70	285	212	260	108	50	12	15	325	275	132	-	696	234	213	89	-	112	35	7.5	103.0

M38A×-×-70



Motor pump model code	A	B	C	D	E	F	G	H	I	J	K	L	M	N	O	P	Q	R	Motor output kW	Mass kg
M38A×-3-70	202	161	200	80	40	12	12	239	201	100	-	578	183	168	70	-	68	27	2.2	54.5
M38A×-5-70	243	177	220	95	40	12	12	274	234	112	-	595	190	168	70	-	90	27	3.7	69.5
M38A×-7-70	285	212	260	108	50	12	15	325	275	132	-	647	215	175	70	-	112	35	5.5	88.0
M38A×-10-70	285	212	260	108	50	12	15	325	275	132	-	685	234	213	89	-	112	35	7.5	98.0