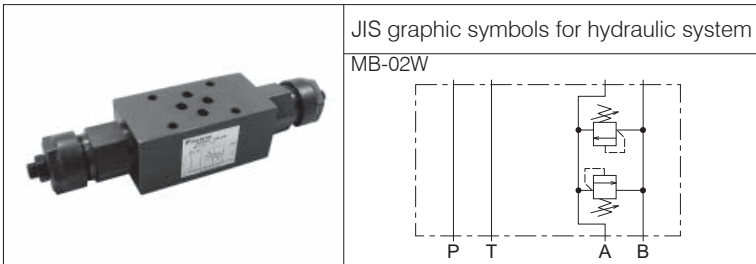


02 Series Stacking Type Brake Valves



Nomenclature

※ - MB - 02 W - ※ - 65
 1 2 3 4 5 6

1 Applicable fluid code

No designation: Petroleum-based hydraulic fluid,
 water-glycol hydraulic fluid
 F: Phosphate ester hydraulic fluid

2 Model No.

MB: Modular stacking type brake valve

3 Nominal diameter

02: 1/4

4 Control port

W: Port A/B

5 Pressure adjustment range

1: 0.8 to 7 MPa { 8 to 70 kgf/cm² }
 3: 3.5 to 21 MPa { 35 to 210 kgf/cm² }

6 Design No.

(The design No. is subject to change)

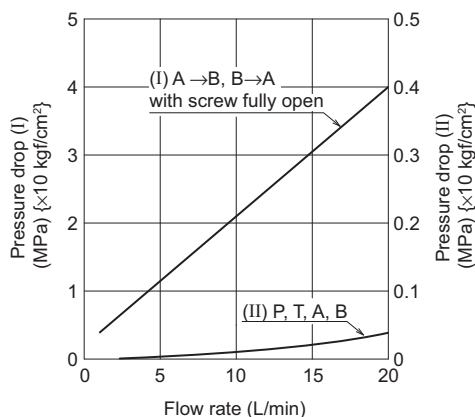
Specifications

Model code	Maximum operating pressure MPa {kgf/cm ² }	Maximum flow rate L/min	Pressure adjustment range *1 MPa {kgf/cm ² }	Mass kg	Pressure change MPa {kgf/cm ² } per screw revolution
MB-02W-1-65	35 {350}	20	0.8 to 7 (8 to 70)	1.5	1.4 {14}/revolution
MB-02W-3-65			3.5 to 21 (35 to 210)		6.3 {63}/revolution

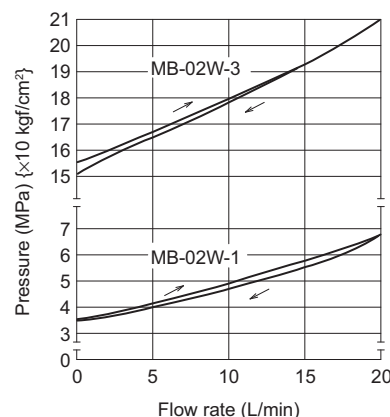
Note: *1 The pressure adjustment ranges are indicated using cracking pressures.

Performance curves (viscosity: 32 mm²/s {cSt})

Pressure drop characteristics



Pressure - Flow rate characteristics



MODULAR STACK VALVES I

Contact Details

Before using the product, please check the guide pages at the front of this catalog.

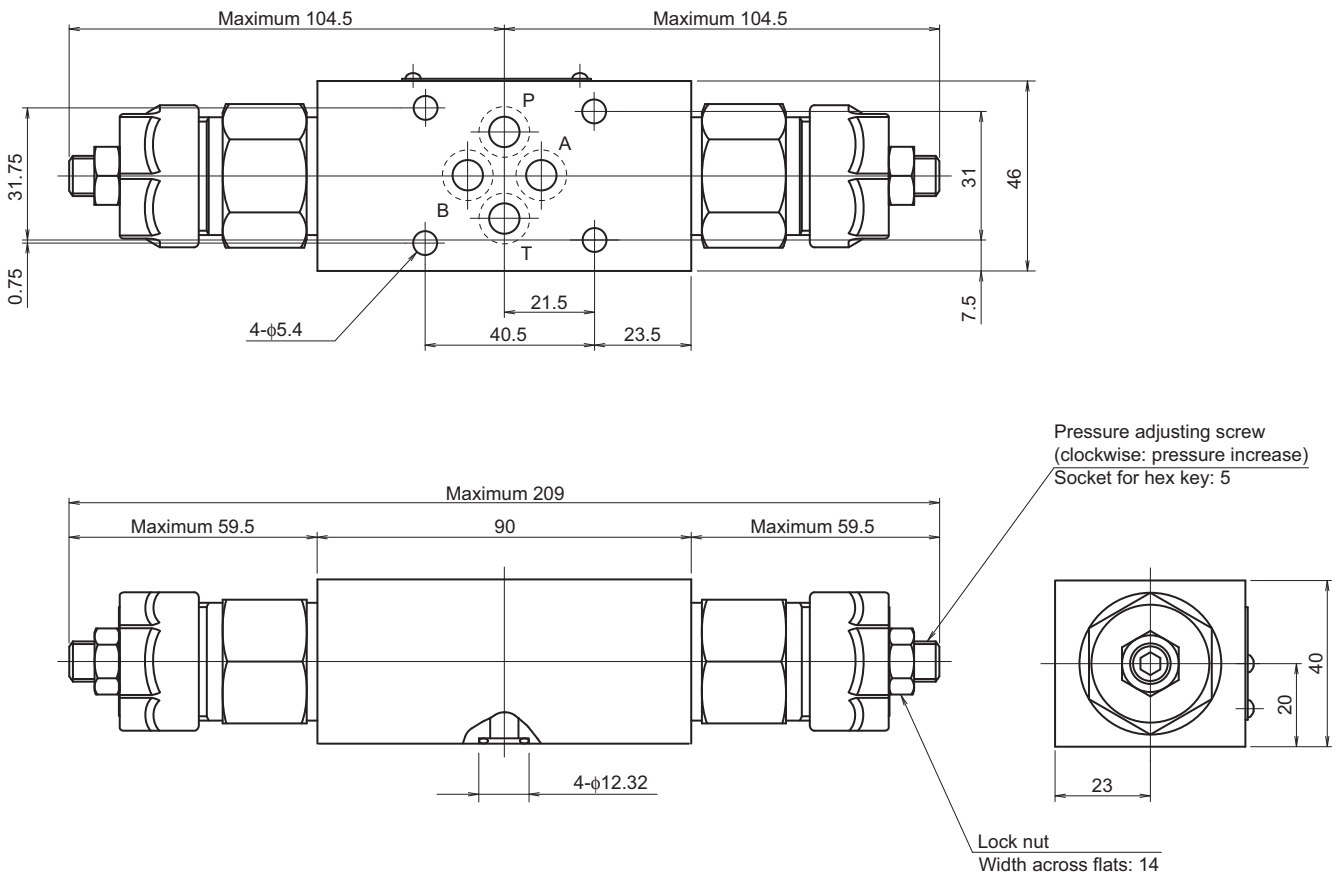
Internet

<http://www.daikinpmc.com/en/>

For latest information, PDF catalogs and operation manuals

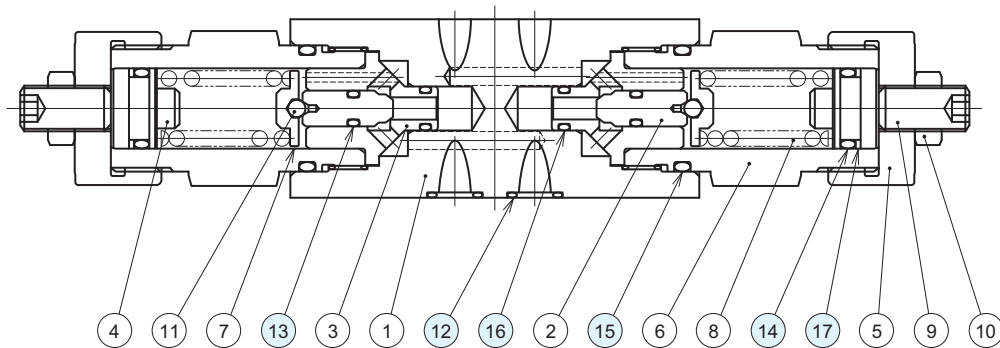
External dimension diagram

MB-02W



Sectional structural diagram

MB-02W



Sealing part table

Part No.	Name	Quantity	Part specifications
12	O-ring	4	AS568-012 (NBR, Hs90)
13	O-ring	2	JIS B 2401 1A P5
14	O-ring	2	JIS B 2401 1B P14
15	O-ring	2	AS568-119 (NBR, Hs90)
16	O-ring	2	JIS B 2401 1B P7
17	Backup ring	2	JIS B 2407 Bias cut P14