

Contact Details

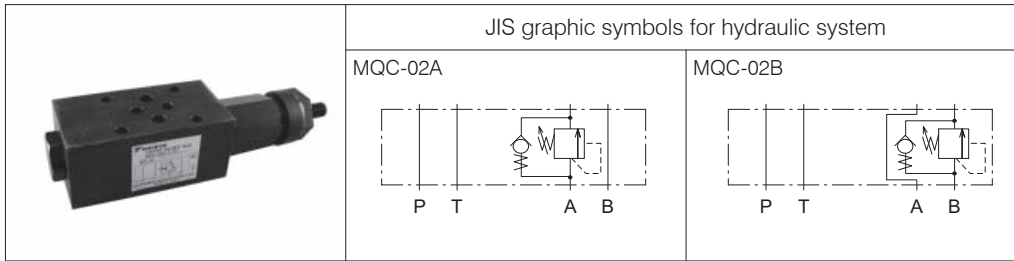
Before using the product, please check the guide pages at the front of this catalog.

Internet

<http://www.daikinpmc.com/en/>

For latest information, PDF catalogs and operation manuals

02 Series Stacking Type Port A/B Counter Balance Valves



Nomenclature

※ - MQC - 02 ※ - 2 - 55 - ※
 1 2 3 4 5 6 7

1 Applicable fluid code

No designation: Petroleum-based hydraulic fluid,
 water-glycol hydraulic fluid
 F: Phosphate ester hydraulic fluid

2 Model No.

MQC: Modular stacking type counter balance valve

3 Nominal diameter

02: ¼

4 Control port

A: Port A
 B: Port B

5 Pressure adjustment range

2: 0.7 to 14 MPa {7 to 140 kgf/cm²}

6 Design No.

(The design No. is subject to change)

7 Pressure adjusting screw position

No designation: Adjusted at port B side
 G: Adjusted at port A side

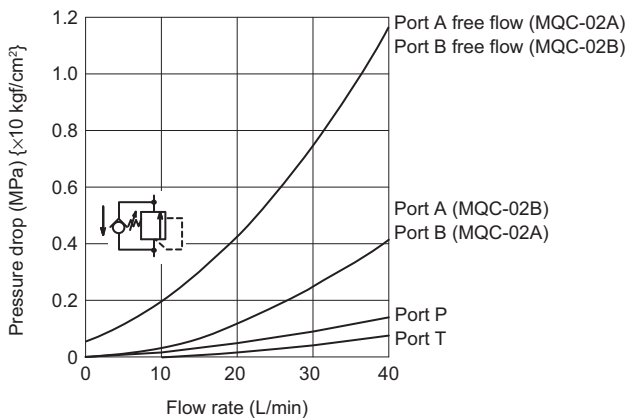
Specifications

Model code	Maximum operating pressure MPa {kgf/cm ² }	Maximum flow rate L/min	Pressure adjustment range *1 MPa {kgf/cm ² }	Check valve cracking pressure MPa {kgf/cm ² }	Mass kg	Pressure change MPa {kgf/cm ² }/ per screw revolution
MQC-02※-2-55	25 {250}	40	0.7 to 14 {7 to 140}	0.05 {0.5}	1.4	1.05 {10.5} / revolution

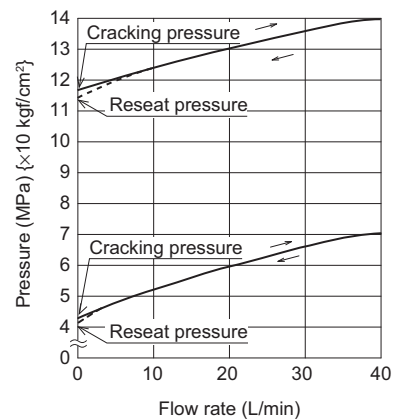
Note: *1 The pressure adjustment ranges are indicated using cracking pressures.

Performance curves (viscosity: 32 mm²/s {cSt})

Pressure drop characteristics



Pressure - Flow rate characteristics



Contact Details

Before using the product, please check the guide pages at the front of this catalog.

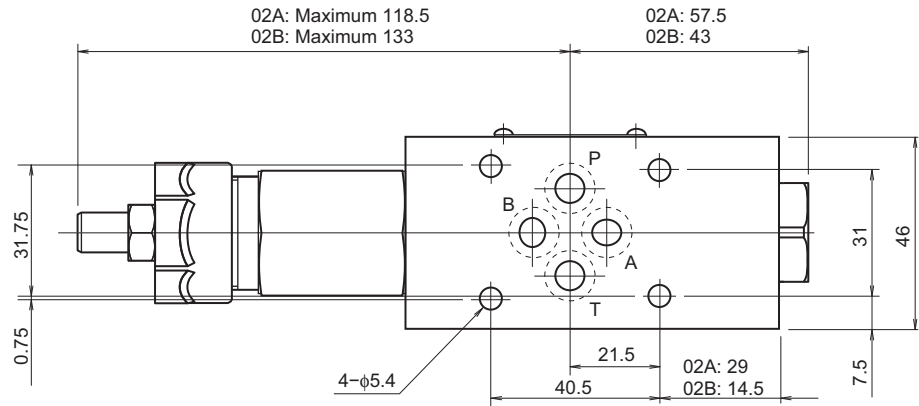
Internet

<http://www.daikinpmc.com/en/>

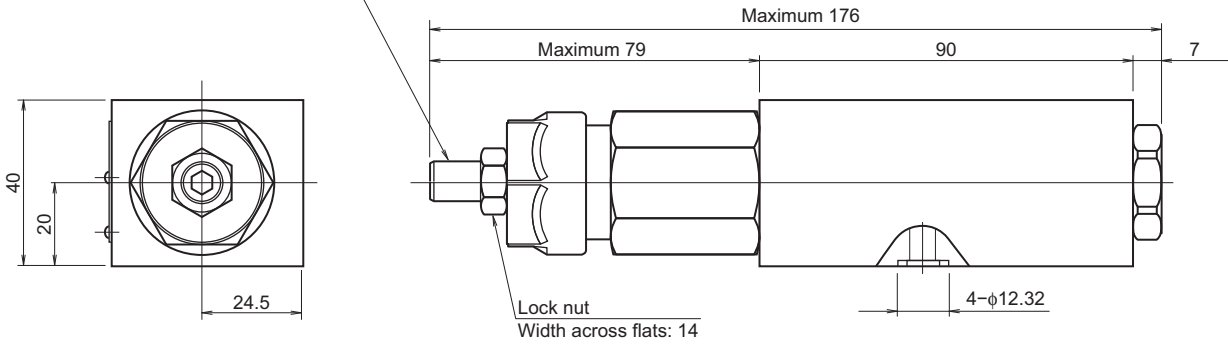
For latest information, PDF catalogs and operation manuals

External dimension diagram

MQC-02A, B



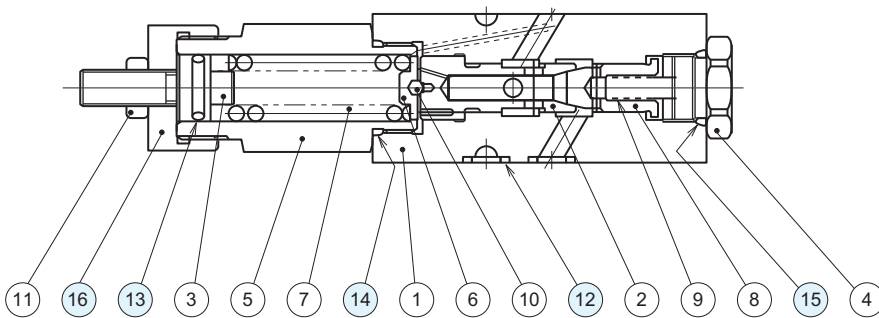
Pressure adjusting screw (clockwise: pressure increase)
Socket for hex key: 5



For products with option code G, the pressure adjusting screw is located at the port A side.

Sectional structural diagram

MQC-02A, B



Sealing part table

Part No.	Name	Quantity	Part specifications
12	O-ring	4	AS568-012 (NBR, Hs90)
13	O-ring	1	JIS B 2401 1B P14
14	O-ring	1	JIS B 2401 1B P22
15	O-ring	1	JIS B 2401 1B P16