

## Contact Details

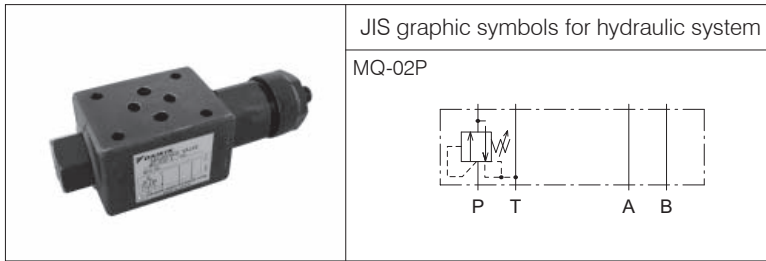
Before using the product, please check the guide pages at the front of this catalog.

Internet

<http://www.daikinpmc.com/en/>

For latest information, PDF catalogs and operation manuals

# 02 Series Stacking Type P Port Sequence Valves



## Nomenclature

※ - MQ - 02 P - 2 ※ - 55 - ※  
1 2 3 4 5 6 7 8

### 1 Applicable fluid code

No designation: Petroleum-based hydraulic fluid,  
water-glycol hydraulic fluid  
F: Phosphate ester hydraulic fluid

### 2 Model No.

MQ: Modular stacking type pressure control valve

### 3 Nominal diameter

02: ¼

### 4 Control port

P: Port P

### 5 Function code

2: Sequence valve

### 6 Pressure adjustment range

1: 0.8 to 7 MPa { 8 to 70 kgf/cm<sup>2</sup> }  
3: 3.5 to 21 MPa { 35 to 210 kgf/cm<sup>2</sup> }

### 7 Design No.

(The design No. is subject to change)

### 8 Pressure adjusting screw position

No designation: Adjusted at port B side  
G: Adjusted at port A side

## Specifications

Model code	Maximum operating pressure MPa {kgf/cm <sup>2</sup> }	Maximum flow rate L/min	Pressure adjustment range *1 MPa {kgf/cm <sup>2</sup> }	Mass kg	Pressure change MPa {kgf/cm <sup>2</sup> } per screw revolution
MQ-02P-21-55	25 {250}	40	0.8 to 7 { 8 to 70 }	1.1	1.8 {18}/revolution
MQ-02P-23-55			3.5 to 21 {35 to 210}		4.4 {44}/revolution

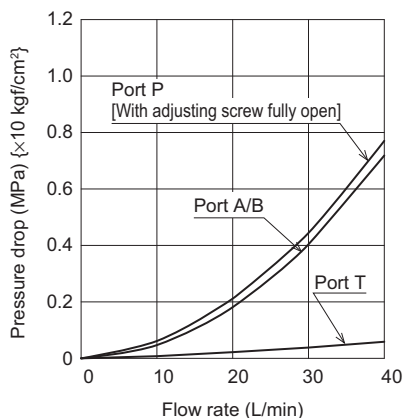
Note: \*1 The pressure adjustment ranges are indicated using cracking pressures.

## Handling

- The drain piping is connected to the tank port.

## Performance curves (viscosity: 32 mm<sup>2</sup>/s {cSt})

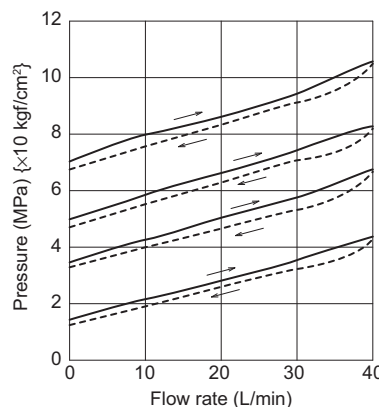
### Pressure drop characteristics



### Pressure - Flow rate characteristics

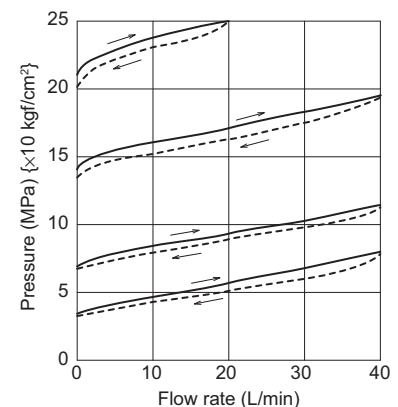
#### MQ-02P-21-55

Solid line: When flow rate is increased  
Dashed line: When flow rate is decreased



#### MQ-02P-23-55

Solid line: When flow rate is increased  
Dashed line: When flow rate is decreased



## Contact Details

Before using the product, please check the guide pages at the front of this catalog.

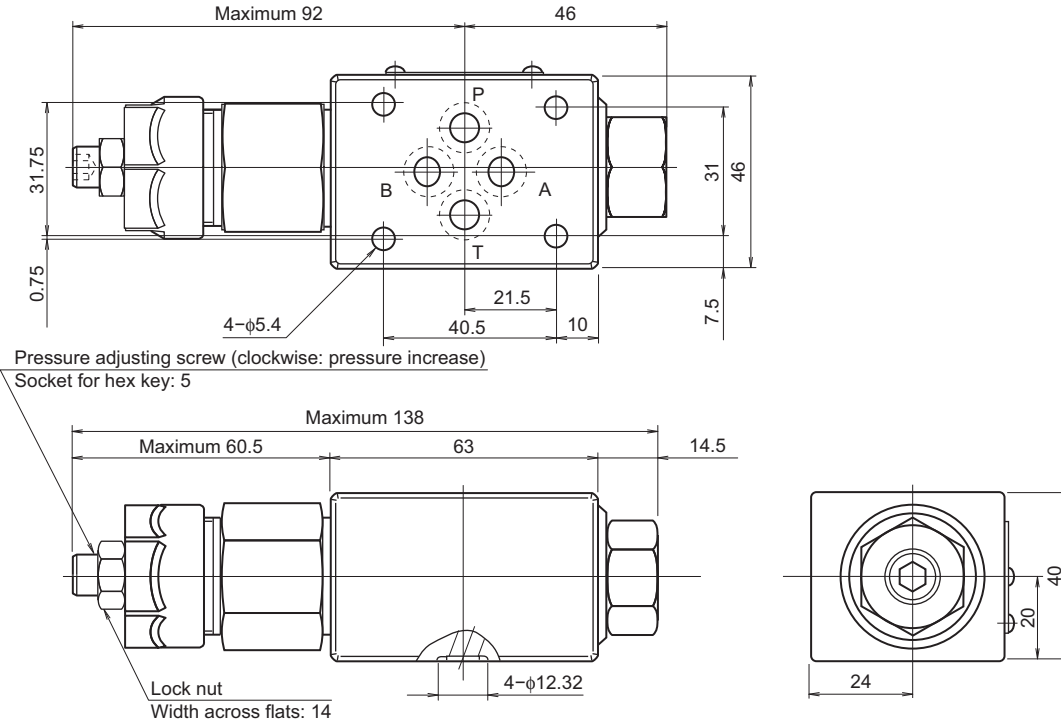
Internet

<http://www.daikinpmc.com/en/>

For latest information, PDF catalogs and operation manuals

## External dimension diagram

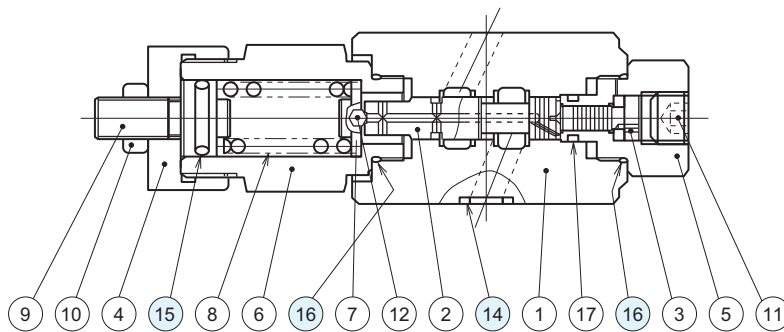
MQ-02P



For products with option code G, the pressure adjusting screw is located at the port A side.

## Sectional structural diagram

MQ-02P



### Sealing part table

Part No.	Name	Quantity	Part specifications
14	O-ring	4	AS568-012 (NBR, Hs90)
15	O-ring	1	JIS B 2401 1A P14
16	O-ring	2	AS568-017 (NBR, Hs90)
17	O-ring	1	JIS B 2401 1B P8