

Contact Details

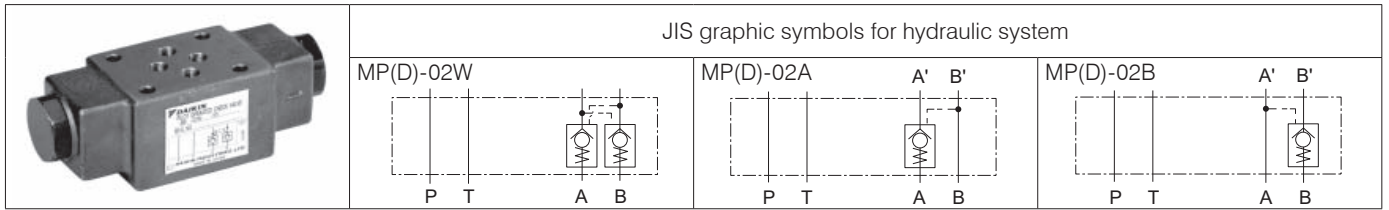
Before using the product, please check the guide pages at the front of this catalog.

Internet

<http://www.daikinpmc.com/en/>

For latest information, PDF catalogs and operation manuals

O2 Series Stacking Type Pilot Operated Check Valves



Nomenclature

- 1 **Applicable fluid code**
 No designation: Petroleum-based hydraulic fluid, water-glycol hydraulic fluid
 F: Phosphate ester hydraulic fluid
- 2 **Model No.**
 MP: Modular stacking type pilot operated check valve
- 3 **Decompression code**
 No designation: Direct operated type
 D: Decompression type (applicable only to design No. 55)
- 4 **Nominal diameter**
 O2: ¼
- 5 **Control port**
 W: Port A/B
 A: Port A
 B: Port B
- 6 **Cracking pressure code**
 20: 0.2 MPa {2 kgf/cm²}
 50: 0.5 MPa {5 kgf/cm²}
- 7 **Design No.**
(The design No. is subject to change)
 55: 25 MPa {250 kgf/cm²}
 60: 35 MPa {350 kgf/cm²}

Specifications

Model code	Maximum operating pressure MPa {kgf/cm ² }	Maximum flow rate L/min	Cracking pressure MPa {kgf/cm ² }	Area ratio *1	Mass kg
MP×-02×-20-55	25 {250}	40	0.2 {2}	(1) 2.7 :1	1.1
MP×-02×-50-55			0.5 {5}		
MP×-02×-20-60	35 {350}	40	0.2 {2}	(2) 1.96:1	1.2
MP×-02×-50-60			0.5 {5}		

Note: *1 Area ratio (1) <MP> Pilot piston: Check valve (2) <MPD> Pilot piston: Large check valve (3) <MPD> Pilot piston: Small check valve

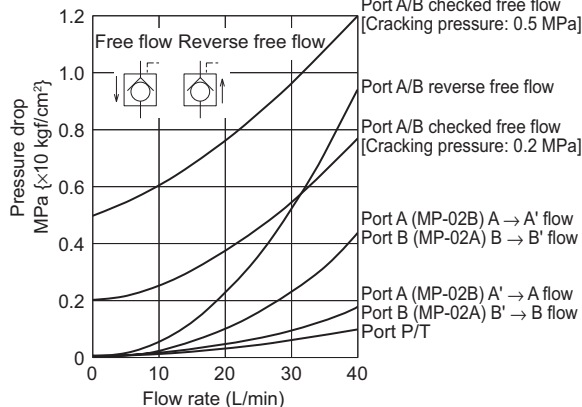
Handling

- The internal drain type is adopted.

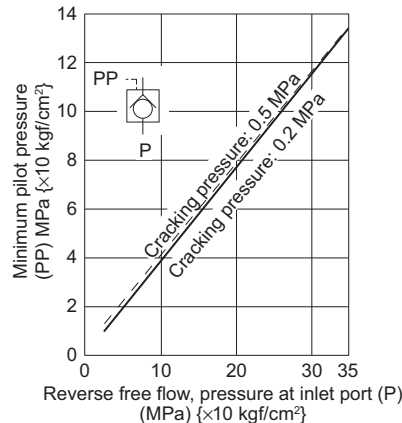
Performance curves (viscosity: 32 mm²/s {cSt})

Pressure drop characteristics

MP-02×-××-××

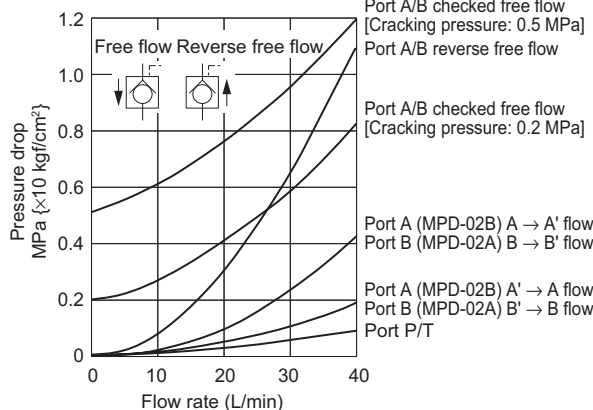


Pilot pressure characteristics

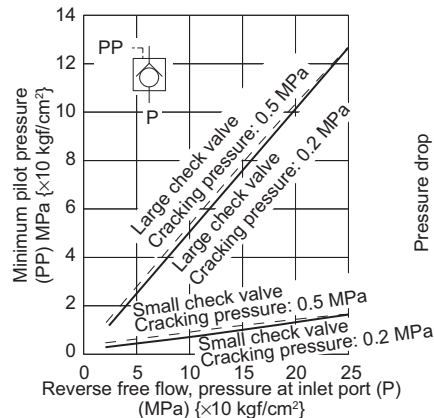


Pressure drop characteristics

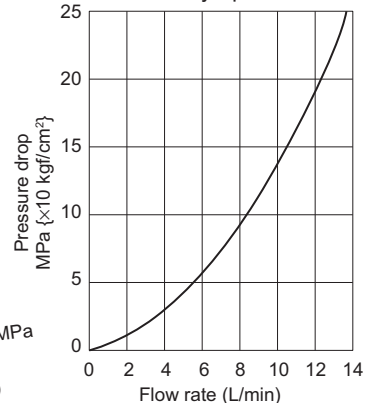
MPD-02×-××-55



Pilot pressure characteristics



Pressure drop characteristics with the small valve fully open



Contact Details

Before using the product, please check the guide pages at the front of this catalog.

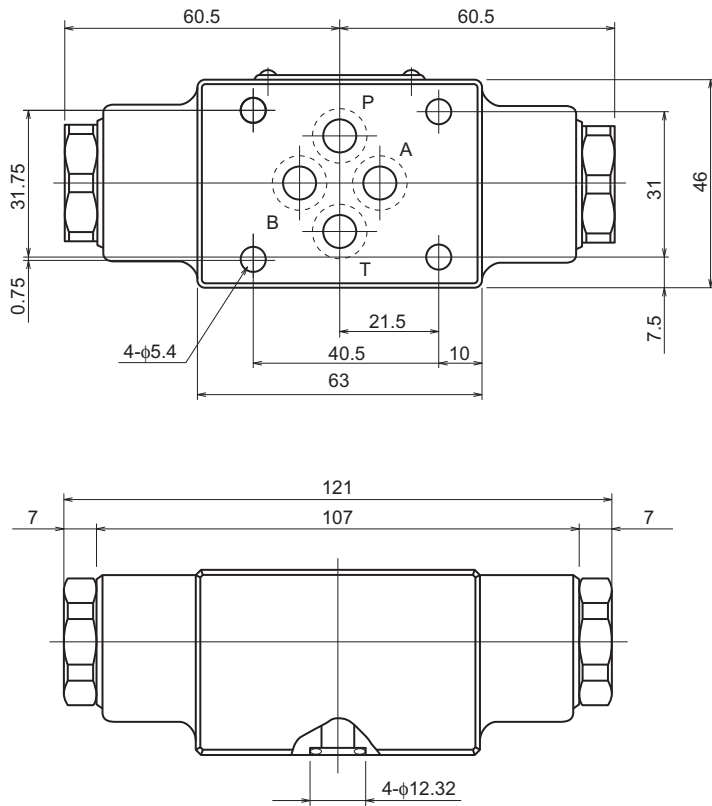
Internet

<http://www.daikinpmc.com/en/>

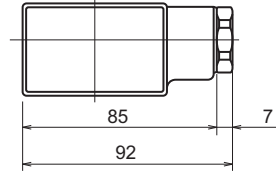
For latest information, PDF catalogs and operation manuals

External dimension diagram

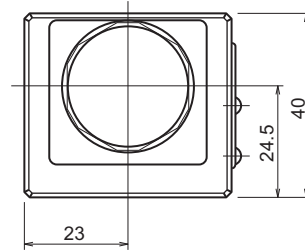
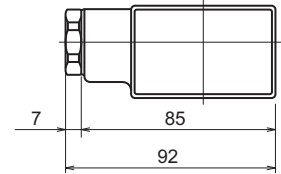
MP(D)-02W-55



MP(D)-02A-55



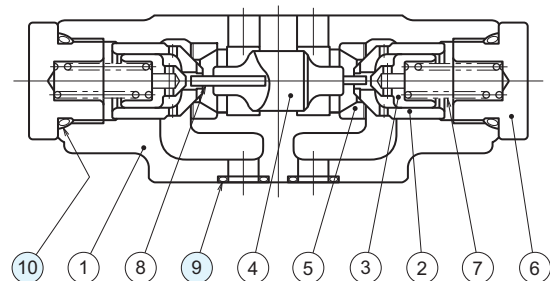
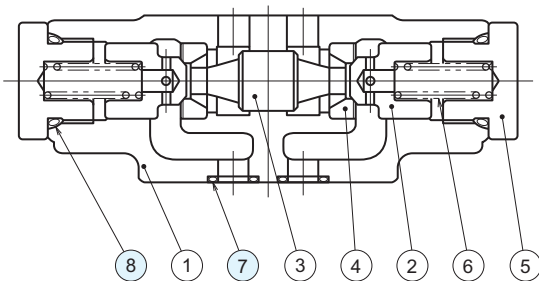
MP(D)-02B-55



Sectional structural diagram

MP-02※-55

MPD-02※-55



Sealing part table

Part No.	Name	Quantity		Part specifications
		MP-02W	MP-02A, B	
7	O-ring	4	4	AS568-012 (NBR, Hs90)
8	O-ring	2	1	JIS B 2401 1B P18

Sealing part table

Part No.	Name	Quantity		Part specifications
		MPD-02W	MPD-02A, B	
9	O-ring	4	4	AS568-012 (NBR, Hs90)
10	O-ring	2	1	JIS B 2401 1B P18

Contact Details

Before using the product, please check the guide pages at the front of this catalog.

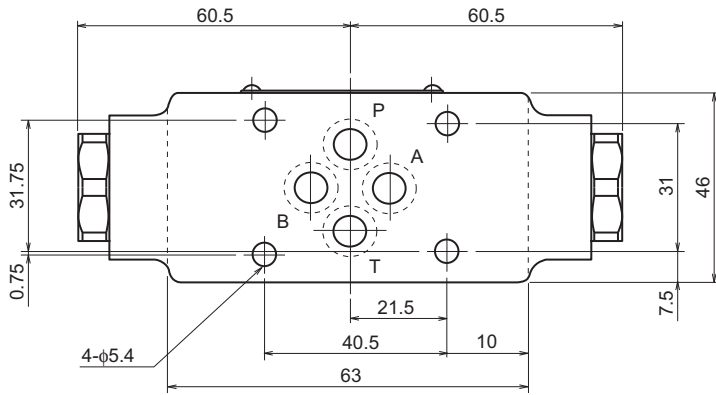
Internet

<http://www.daikinpmc.com/en/>

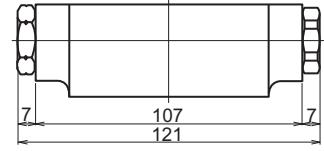
For latest information, PDF catalogs and operation manuals

External dimension diagram

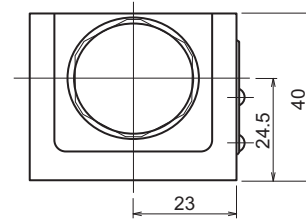
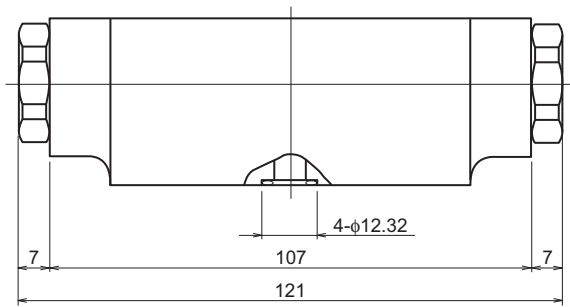
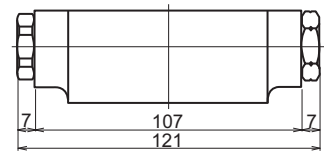
MP-02W-**-60



MP-02A-**-60

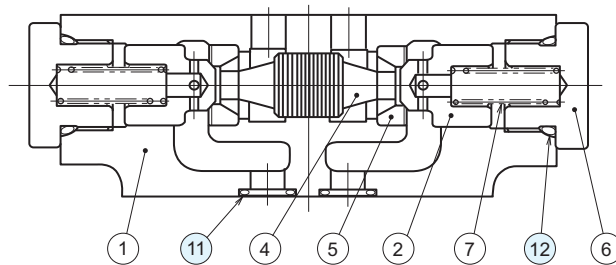


MP-02B-**-60



Sectional structural diagram

MP-02W-**-60



Sealing part table

Part No.	Name	Quantity		Part specifications
		MP-02W	MP-02A, B	
11	O-ring	4	4	AS568-012 (NBR, Hs90)
12	O-ring	2	2	JIS B 2401 1B P18