

Contact Details

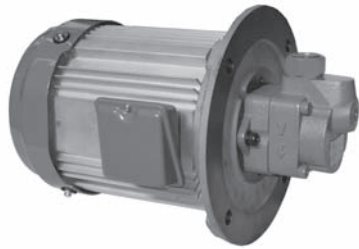
Before using the product, please check the guide pages at the front of this catalog.

Internet

<http://www.daikinpmc.com/en/>

For latest information, PDF catalogs and operation manuals

Motor Pumps



Features

- These are motor pumps that integrate a DS10P type vane pump and an electric motor in one body. Adoption of a direct coupling system enables one-touch assembly without couplings, protective covers, a pump base, or even centering work.

Nomenclature

※ - MD ※ ※ - 50
 1 2 3 4 5

1 Applicable fluid code

No designation: Petroleum-based hydraulic fluid, water-glycol hydraulic fluid
 Water/oil emulsion type hydraulic fluid
 F: Phosphate ester hydraulic fluid

2 Model No.

MD: Compact single stage vane pump

3 Pump capacity code

1: DS11P
 2: DS12P
 3: DS13P
 4: DS14P

4 Motor output

1: 0.75 kW-4P
 2: 1.5 kW-4P
 3: 2.2 kW-4P

5 Design No.

(The design No. is subject to change)

Specifications

Model No.	Pump				Motor				
	Pump model	Discharge rate (at no load) L/min		Maximum operating pressure MPa {kgf/cm ² }		Output (number of poles) kW (4P)	Rated current A		
		50 Hz	60 Hz	50 Hz	60 Hz		200 V (50 Hz)	200 V (60 Hz)	220 V (60 Hz)
MD11	DS11P	4.1	5.0	5.2 {52}	4.4 {44}	0.75	3.7	3.4	3.3
MD21	DS12P	6.4	7.7	3.6 {36}	3.0 {30}				
MD22				7.0 {70}	7.0 {70}	1.5	6.8	6.2	6.3
MD32	DS13P	10.5	12.6	5.6 {56}	4.7 {47}				
MD33				7.0 {70}	7.0 {70}	2.2	9.6	9.0	8.4
MD43	DS14P	18.4	22.1	5.2 {52}	4.3 {43}				

Mass (kg)

Model No.	Mass kg
MD11	19
MD21	
MD22	34
MD32	
MD33	41
MD43	

Contact Details

Before using the product, please check the guide pages at the front of this catalog.

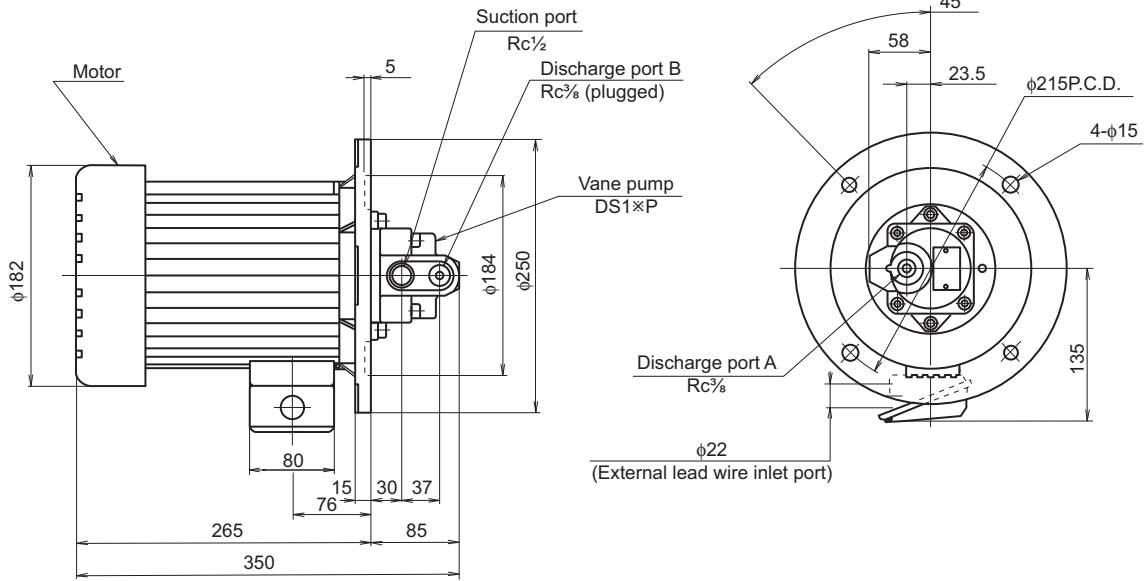
Internet

<http://www.daikinpmc.com/en/>

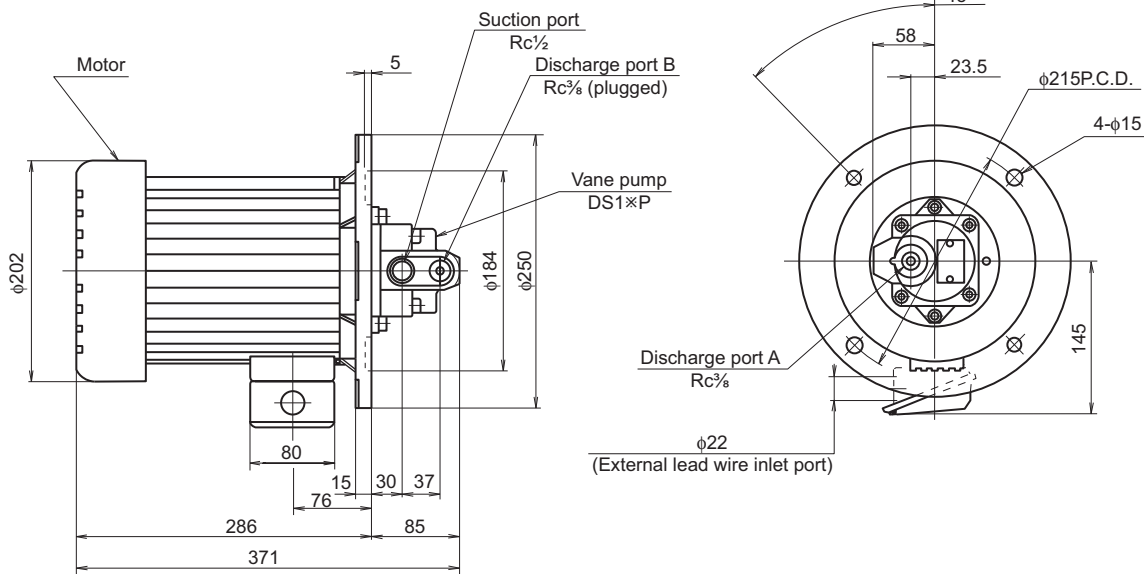
For latest information, PDF catalogs and operation manuals

External dimension diagram

MD×1-50
0.75 kW



MD×2-50
1.5 kW



MD×3-50
2.2 kW

