

## Contact Details

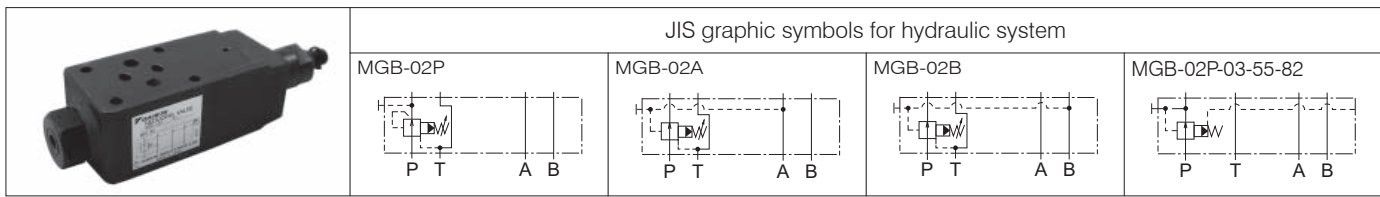
Before using the product, please check the guide pages at the front of this catalog.

Internet

<http://www.daikinpmc.com/en/>

For latest information, PDF catalogs and operation manuals

# 02 Series Stacking Type Low-pressure Reducing Valves



## Nomenclature

※	-	<b>MGB</b>	-	<b>02</b>	※	-	<b>03</b>	-	<b>55</b>	-	※	※	※
1		2		3	4		5		6		7	8	9
		<b>MGB</b>	-	<b>02</b>	<b>P</b>	-	<b>03</b>	-	<b>55</b>	-	<b>82</b>		
		2		3	4		5		6		10		

### 1 Applicable fluid code

No designation: Petroleum-based hydraulic fluid, water-glycol hydraulic fluid  
 F: Phosphate ester hydraulic fluid

### 2 Model No.

MGB: Modular stacking type low-pressure reducing valve

### 3 Nominal diameter

02: 1/4

### 4 Control port

P: Port P A: Port A B: Port B

### 5 Pressure adjustment range

03: 0.15 to 3.5 MPa {1.5 to 35 kgf/cm<sup>2</sup>}  
 : 0.5 to 7 MPa {5 to 70 kgf/cm<sup>2</sup>}  
 (applicable only to control No. 82)

### 6 Design No.

(The design No. is subject to change)

### 7 Drainage code

No designation: Internal drain type  
 E: External drain type

### 8 Pressure adjusting screw position

No designation: Adjusted at port B side  
 G: Adjusted at port A side

### 9 Option code

No designation: Pressure adjusting screw type  
 T: Pressure adjusting handle type

### 10 Control No.

82: With port for remote control (not equipped with pressure adjusting screw)

## Specifications

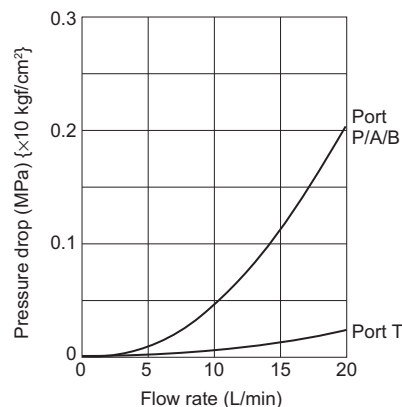
Model code	Maximum operating pressure MPa {kgf/cm <sup>2</sup> }	Maximum flow rate L/min	Pressure adjustment range MPa {kgf/cm <sup>2</sup> }	Mass kg	Pressure change MPa {kgf/cm <sup>2</sup> } per screw revolution
MGB-02※-03-55	7 {70}	20	0.15 to 3.5 {1.5 to 35}	1.4	0.89 {8.9}/revolution
MGB-02P-03-55-82			0.5 to 7 {5 to 70}	1.3	-

## Handling

- To ensure good pressure reducing performance, set a difference of 0.4 MPa {4 kgf/cm<sup>2</sup>} minimum between the primary side main circuit pressure and the secondary pressure reducing circuit pressure.
- Directly connect the tank piping of the valve to the tank without merging it with other tank piping.
- When pressure control from the low pressure range is required, use the external drain type to reduce the influence of back pressure on the tank port.
- The external drain connection block MGB-02E-55 is provided for connection to the external drain type (drainage code: E).
- When changing the drain setting of the valve from the internal drain type to the external drain type, order the external drain connection block MGB-02E-55 separately.

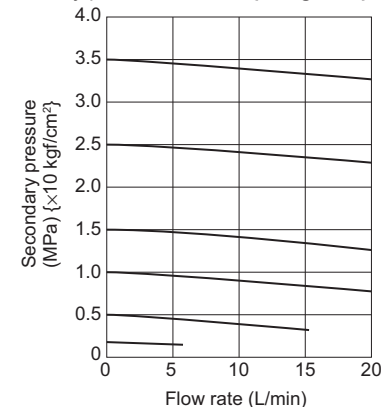
## Performance curves (viscosity: 32 mm<sup>2</sup>/s {cSt})

### Pressure drop characteristics

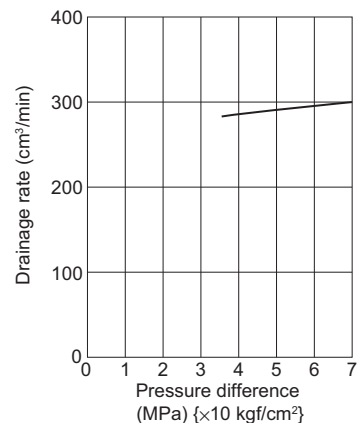


### Pressure - Flow rate characteristics (tank port: vent to atmosphere)

MGB-02P-03-55  
 Primary pressure: 7 MPa {70 kgf/cm<sup>2</sup>}



### Drainage volume characteristics





## Contact Details

Before using the product, please check the guide pages at the front of this catalog.

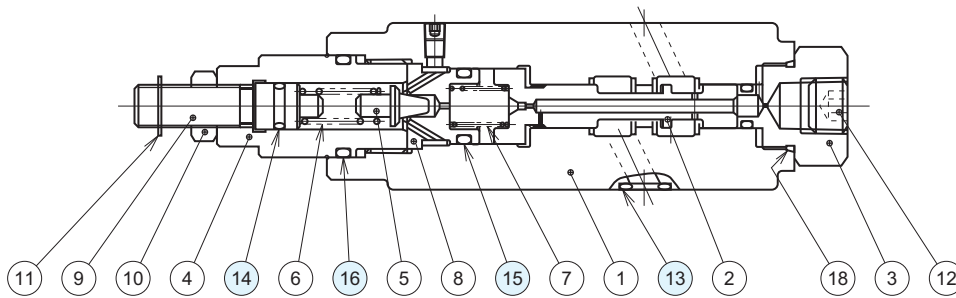
Internet

<http://www.daikinpmc.com/en/>

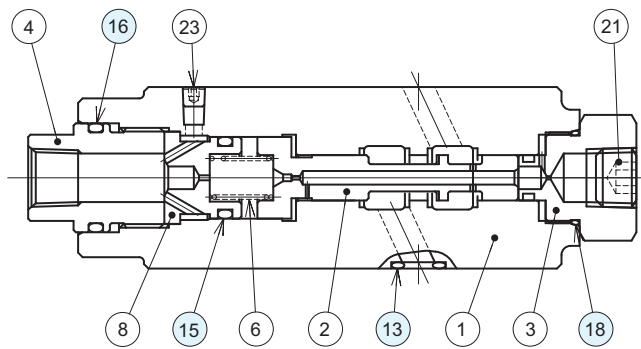
For latest information, PDF catalogs and operation manuals

## Sectional structural diagram

MGB-02P



MGB-02P-03-55-82



Sealing part table

Part No.	Name	Quantity	Part specifications
13	O-ring	4	AS568-012 (NBR, Hs90)
14	O-ring	1	JIS B 2401 1A P8
15	O-ring	1	JIS B 2401 1A P14
16	O-ring	1	JIS B 2401 1A P20
18	O-ring	1	AS568-017 (NBR, Hs90)