

Contact Details

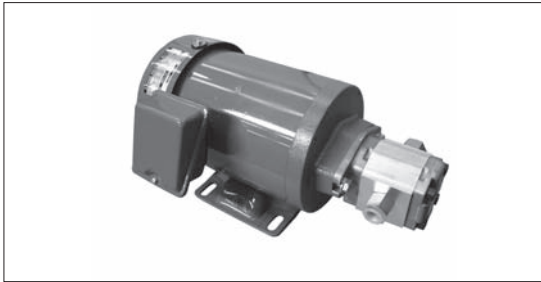
Before using the product, please check the guide pages at the front of this catalog.

Internet

<http://www.daikinpmc.com/en/>

For latest information, PDF catalogs and operation manuals

MFP100 Series Motor Pumps



- These are motor pumps that integrate a TFP type gear pump and an electric motor in one body.

Nomenclature

MFP100/ **※ ※** **-** **2** **-** **※** **-** **20**

1

2

3

4

5

1 Model No.

MFP100: MFP100 series motor pump

2 Pump capacity

1.2: 1.2 cm³/rev
 1.7: 1.7 cm³/rev
 2.2: 2.2 cm³/rev
 2.6: 2.6 cm³/rev
 3.2: 3.2 cm³/rev
 3.8: 3.8 cm³/rev
 4.3: 4.3 cm³/rev
 7.8: 7.8 cm³/rev

3 Voltage specifications

2: AC 200 V (50/60 Hz), AC 220 V (60 Hz)

4 Motor output

0.4: 0.4 kW-4P
 0.75: 0.75kW-4P
 1.5: 1.5 kW-4P
 2.2: 2.2 kW-4P

5 Design No. (The design No. is subject to change)

Specifications

Model code	Gear pump type	Motor kW (4P)				Operating pressure MPa {kgf/cm ² }		Theoretical discharge rate cm ³ /rev
		0.4	0.75	1.5	2.2	Maximum	Rated	
MFP100/1.2-2-※-20	TFP100/1.2DCI06-20	✓	✓	✓	-	21 {210}	14 {140}	1.2
MFP100/1.7-2-※-20	TFP100/1.7DCI06-20	✓	✓	✓	-			1.7
MFP100/2.2-2-※-20	TFP100/2.2DCI06-20	✓	✓	✓	✓			2.2
MFP100/2.6-2-※-20	TFP100/2.6DCI06-20	✓	✓	✓	✓			2.6
MFP100/3.2-2-※-20	TFP100/3.2DCI06-20	✓	✓	✓	✓			3.2
MFP100/3.8-2-※-20	TFP100/3.8DCI06-20	✓	✓	✓	✓			3.8
MFP100/4.3-2-※-20	TFP100/4.3DCI06-20	✓	✓	✓	✓			4.3
MFP100/7.8-2-※-20	TFP100/7.8DCI06-20	-	✓	✓	✓	18 {180}	10.5 {105}	7.8

4: Motor output and specifications

Code	Output kW (Number of poles: 4P)	Motor rated current A		
		200 V (50 Hz)	200 V (60 Hz)	220 V (60 Hz)
0.4	0.4	2.4	2.1	2.1
0.75	0.75	3.7	3.4	3.3
1.5	1.5	6.8	6.2	6.3
2.2	2.2	9.6	9.0	8.4

Contact Details

Before using the product, please check the guide pages at the front of this catalog.

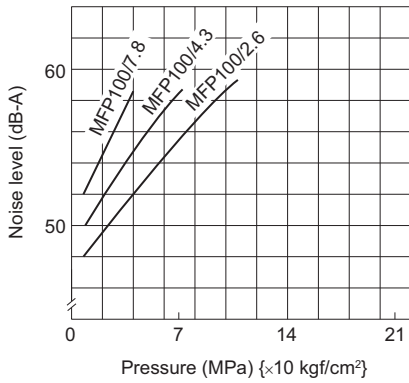
Internet

<http://www.daikinpmc.com/en/>

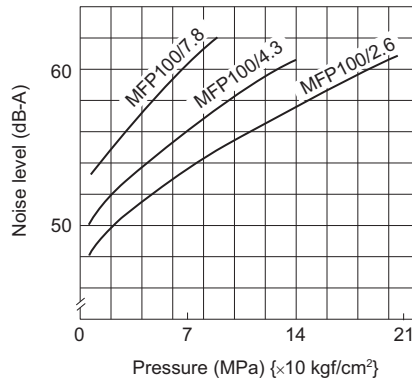
For latest information, PDF catalogs and operation manuals

Noise characteristics (measuring position: 1 m from pump front)

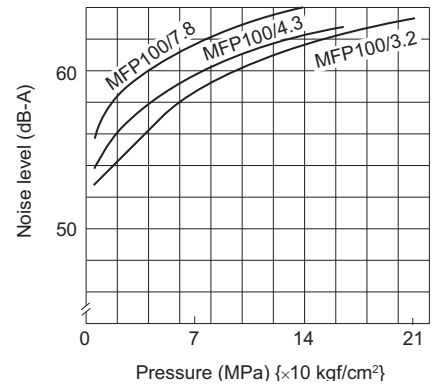
Motor 0.75 kW



Motor 1.5 kW



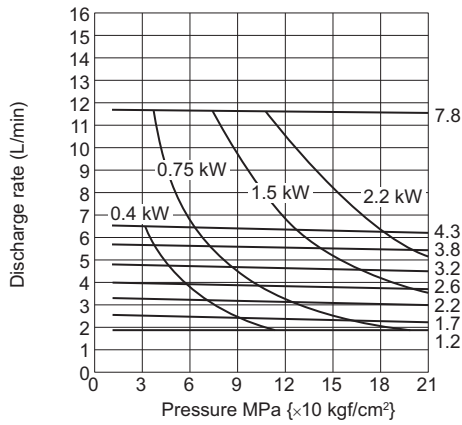
Motor 2.2 kW



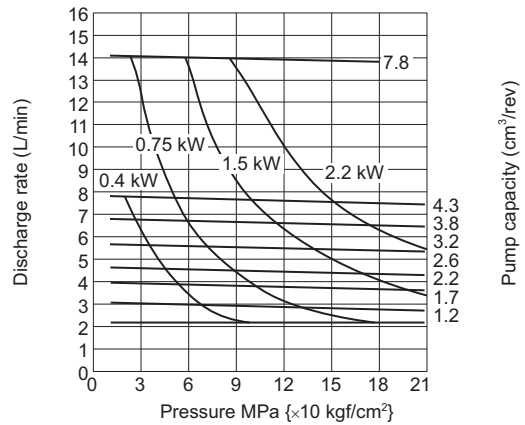
GEAR PUMPS

Shaft input characteristics

Input rotational speed: 1500 min⁻¹



Input rotational speed: 1800 min⁻¹



Contact Details

Before using the product, please check the guide pages at the front of this catalog.

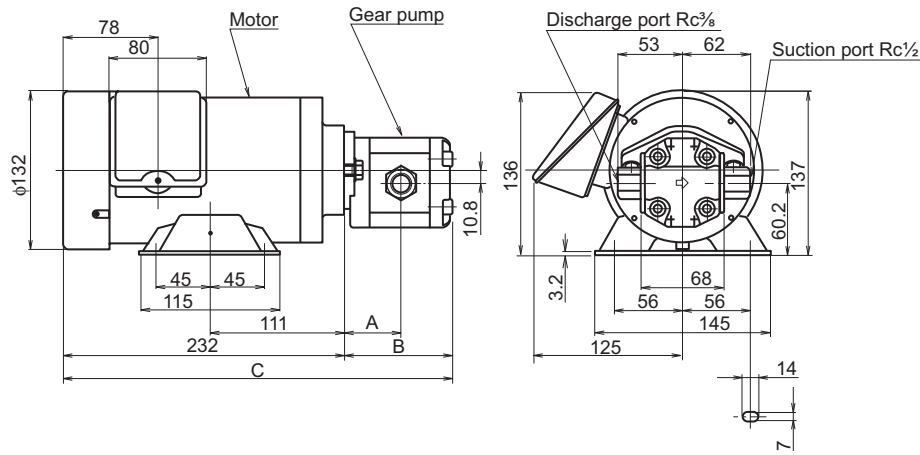
Internet

<http://www.daikinpmc.com/en/>

For latest information, PDF catalogs and operation manuals

External dimension diagram

Equipped with 0.4 kW motor

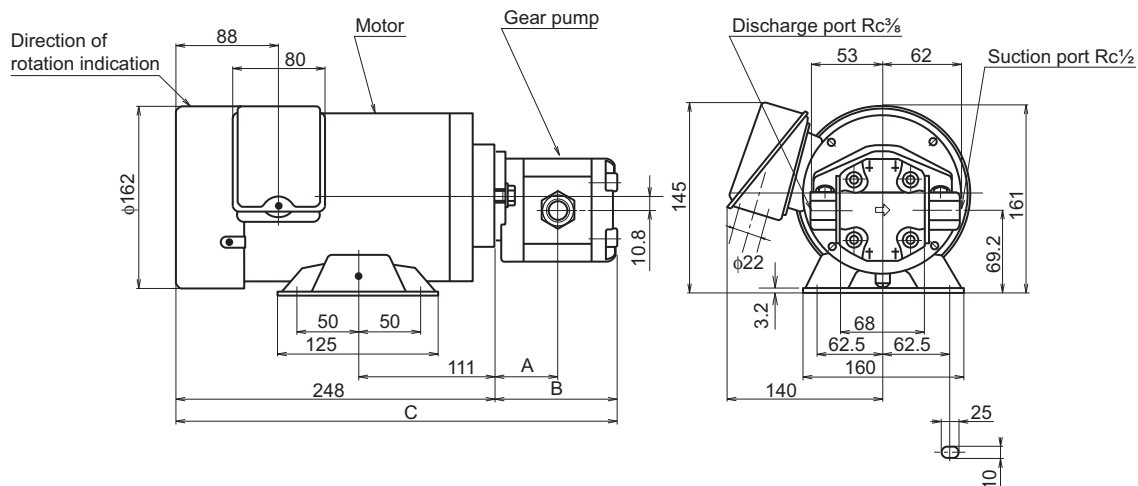


Dimension table

Mass: 14 kg

Motor pump model	Gear pump model	Motor specifications	Dimensions		
			A	B	C
MFP100/1.2-2-0.4-20	TFP100/1.2DC106-20	3-phase induction motor 200/200/220 V 50/60/60 Hz 4-pole 0.4 kW Type E Totally enclosed fan cooled type	42.3	84	316
MFP100/1.7-2-0.4-20	TFP100/1.7DC106-20		43	85.5	317.5
MFP100/2.2-2-0.4-20	TFP100/2.2DC106-20		44	87.5	319.5
MFP100/2.6-2-0.4-20	TFP100/2.6DC106-20		45	89.5	321.5
MFP100/3.2-2-0.4-20	TFP100/3.2DC106-20		46	91.5	323.5
MFP100/3.8-2-0.4-20	TFP100/3.8DC106-20		47	93.5	325.5
MFP100/4.3-2-0.4-20	TFP100/4.3DC106-20		48	95.5	327.5

Equipped with 0.75 kW motor



Dimension table

Mass: 20 kg

Motor pump model	Gear pump model	Motor specifications	Dimensions		
			A	B	C
MFP100/1.2-2-0.75-20	TFP100/1.2DC106-20	3-phase induction motor 200/200/220 V 50/60/60 Hz 4-pole 0.75 kW Type E Totally enclosed fan cooled type	42.3	84	332
MFP100/1.7-2-0.75-20	TFP100/1.7DC106-20		43	85.5	333.5
MFP100/2.2-2-0.75-20	TFP100/2.2DC106-20		44	87.5	335.5
MFP100/2.6-2-0.75-20	TFP100/2.6DC106-20		45	89.5	337.5
MFP100/3.2-2-0.75-20	TFP100/3.2DC106-20		46	91.5	339.5
MFP100/3.8-2-0.75-20	TFP100/3.8DC106-20		47	93.5	341.5
MFP100/4.3-2-0.75-20	TFP100/4.3DC106-20		48	95.5	343.5
MFP100/7.8-2-0.75-20	TFP100/7.8DC106-20		54.5	108.5	356.5

Contact Details

Before using the product, please check the guide pages at the front of this catalog.

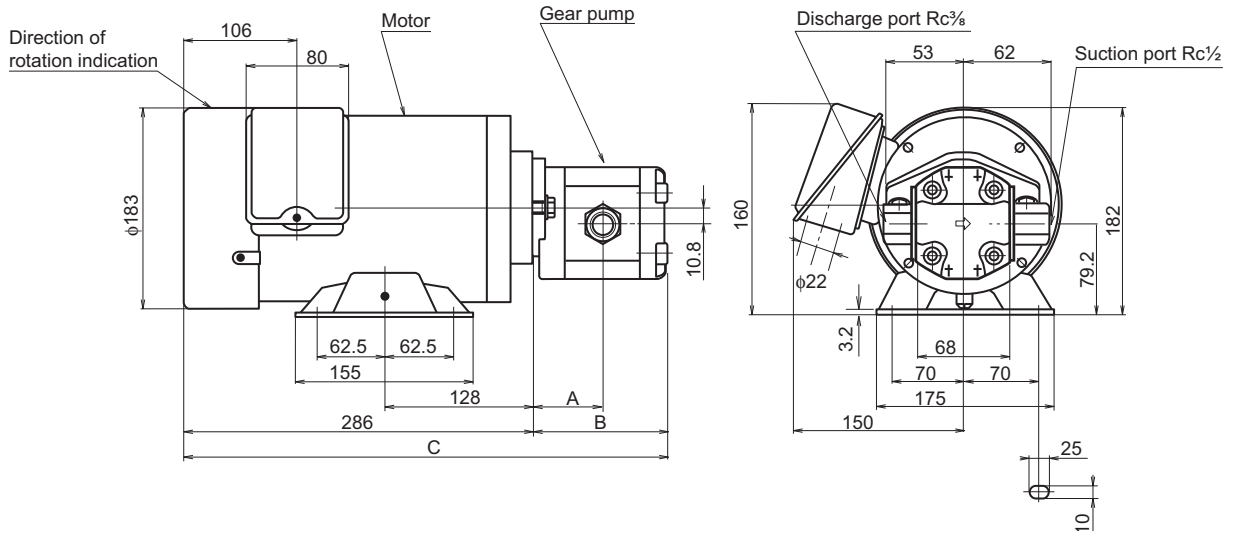
Internet

<http://www.daikinpmc.com/en/>

For latest information, PDF catalogs and operation manuals

External dimension diagram

Equipped with 1.5 kW motor

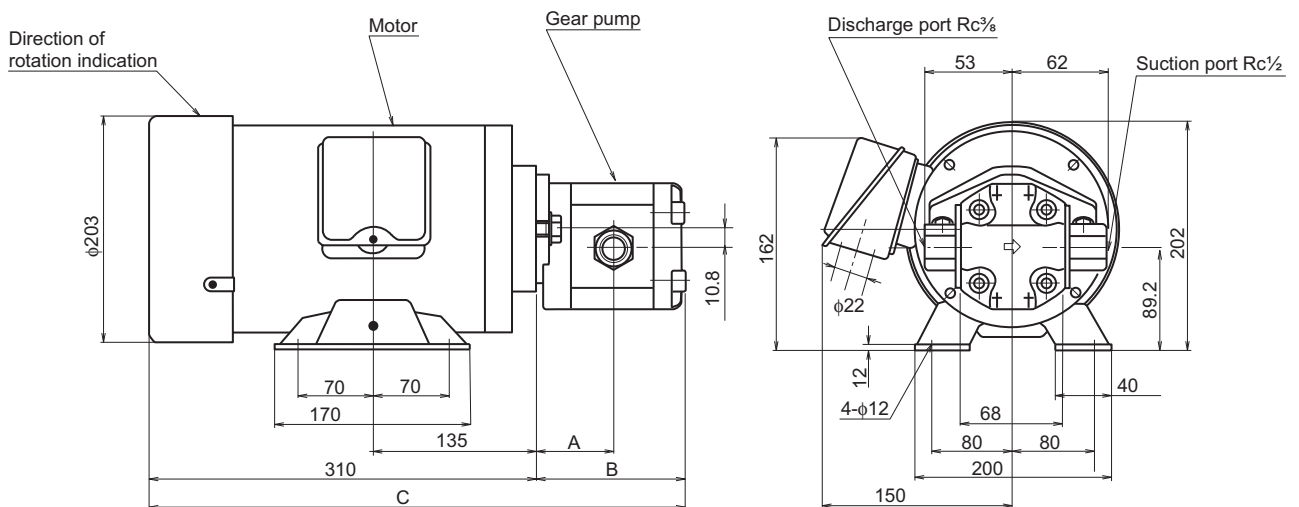


Dimension table

Mass: 25 kg

Motor pump model	Gear pump model	Motor specifications	Dimensions		
			A	B	C
MFP100/1.2-2-1.5-20	TFP100/1.2DC106-20	3-phase induction motor 200/200/220 V 50/60/60 Hz 4-pole 1.5 kW Type E Totally enclosed fan cooled type	42.3	84	370
MFP100/1.7-2-1.5-20	TFP100/1.7DC106-20		43	85.5	371.5
MFP100/2.2-2-1.5-20	TFP100/2.2DC106-20		44	87.5	373.5
MFP100/2.6-2-1.5-20	TFP100/2.6DC106-20		45	89.5	375.5
MFP100/3.2-2-1.5-20	TFP100/3.2DC106-20		46	91.5	378.5
MFP100/3.8-2-1.5-20	TFP100/3.8DC106-20		47	93.5	379.5
MFP100/4.3-2-1.5-20	TFP100/4.3DC106-20		48	95.5	381.5
MFP100/7.8-2-1.5-20	TFP100/7.8DC106-20		54.5	108.5	394.5

Equipped with 2.2 kW motor



Dimension table

Mass: 31 kg

Motor pump model	Gear pump model	Motor specifications	Dimensions		
			A	B	C
MFP100/2.2-2-2.2-20	TFP100/2.2DC106-20	3-phase induction motor 200/200/220 V 50/60/60 Hz 4-pole 2.2 kW Type E Totally enclosed fan cooled type	44	87.5	397.5
MFP100/2.6-2-2.2-20	TFP100/2.6DC106-20		45	89.5	399.5
MFP100/3.2-2-2.2-20	TFP100/3.2DC106-20		46	91.5	401.5
MFP100/3.8-2-2.2-20	TFP100/3.8DC106-20		47	93.5	403.5
MFP100/4.3-2-2.2-20	TFP100/4.3DC106-20		48	95.5	405.5
MFP100/7.8-2-2.2-20	TFP100/7.8DC106-20		54.5	108.5	418.5