

## Contact Details

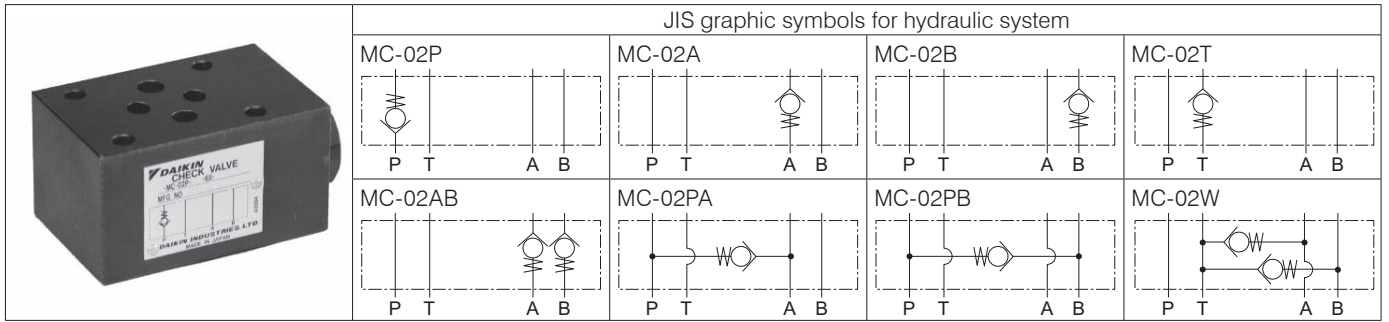
Before using the product, please check the guide pages at the front of this catalog.

Internet

<http://www.daikinpmc.com/en/>

For latest information, PDF catalogs and operation manuals

# 02 Series Stacking Type Check Valves



## Nomenclature

✖	-	<b>MC</b>	-	<b>02</b>	✖✖	-	✖✖	-	✖✖
1	2	3	4	5	6				
<b>1 Applicable fluid code</b> No designation: Petroleum-based hydraulic fluid, water-glycol hydraulic fluid F: Phosphate ester hydraulic fluid	<b>2 Model No.</b> MC: Modular stacking type check valve	<b>3 Nominal diameter</b> 02: ¼	<b>4 Control port</b> ○ Design No. 55 AB: Port A/B W: Port A/B (vacuum check valve) ○ Design No. 65 P: Port P    A: Port A    B: Port B T: Port T    PA: Port A → P    PB: Port B → P	<b>5 Cracking pressure code</b> No designation: 0.015 MPa {0.15 kgf/cm <sup>2</sup> } (Applicable only to MC-02W) 05: 0.05 MPa {0.5 kgf/cm <sup>2</sup> } 50: 0.5 MPa {5 kgf/cm <sup>2</sup> }	<b>6 Design No. (The design No. is subject to change)</b> 55: 25 MPa {250 kgf/cm <sup>2</sup> } series 65: 35 MPa {350 kgf/cm <sup>2</sup> } series				

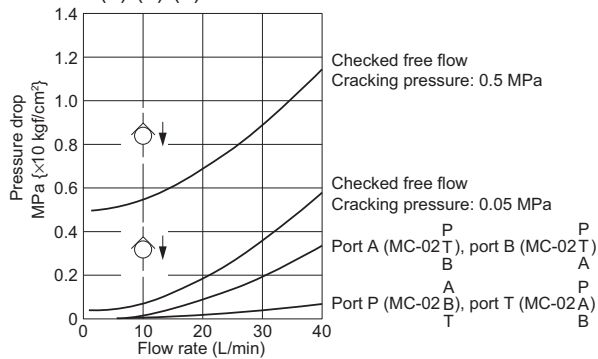
## Specifications

Model code	Maximum operating pressure MPa {kgf/cm <sup>2</sup> }	Maximum flow rate L/min	Cracking pressure MPa {kgf/cm <sup>2</sup> }	Mass kg
MC-02AB-05-55	25 {250}	40	0.05 {0.5}	1.1
MC-02AB-50-55			0.5 {5}	
MC-02W-55			0.015 {0.15}	
MC-02✖✖-05-65	35 {350}	40	0.05 {0.5}	0.9
MC-02✖✖-50-65			0.5 {5}	

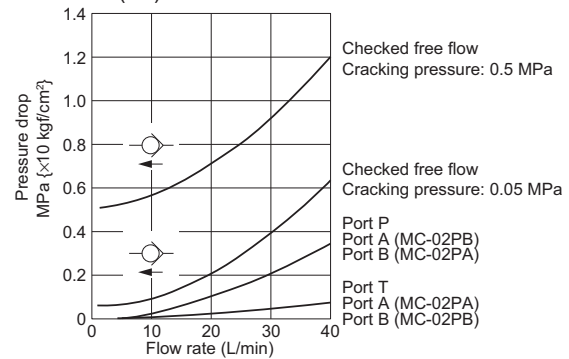
## Performance curves (viscosity: 32 mm<sup>2</sup>/s {cSt})

### Pressure drop characteristics

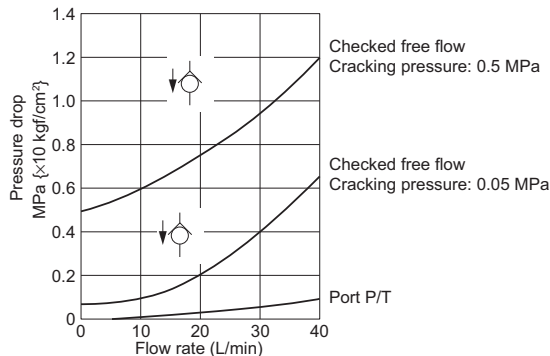
#### MC-02P (A) (B) (T)



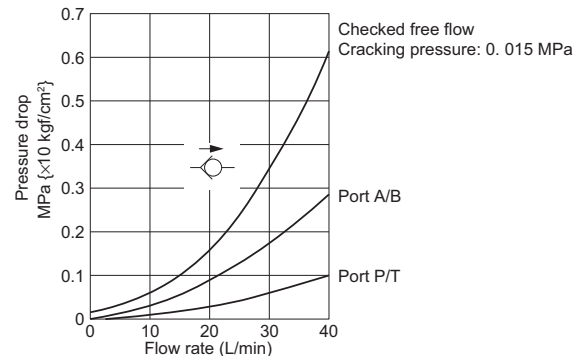
#### MC-02PA (PB)



#### MC-02AB



#### MC-02W



## Contact Details

Before using the product, please check the guide pages at the front of this catalog.

Internet

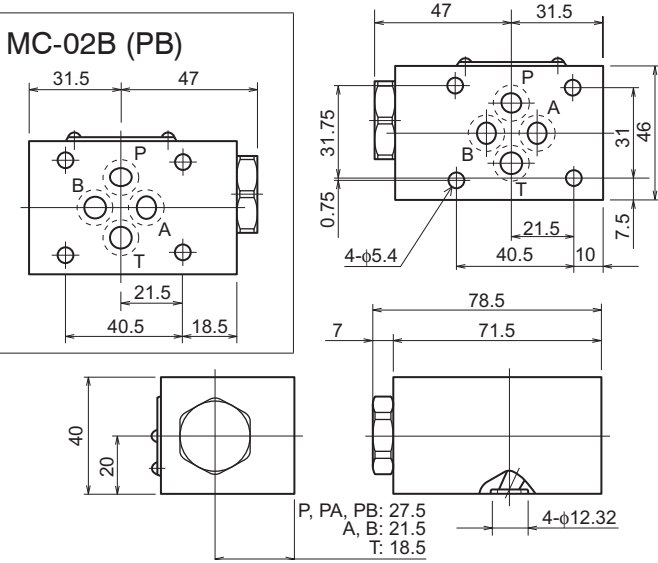
<http://www.daikinpmc.com/en/>

For latest information, PDF catalogs and operation manuals

## External dimension diagram

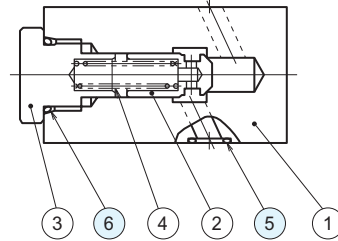
MC-02P (A) (T) (PA) -65

MC-02B (PB)



## Sectional structural diagram

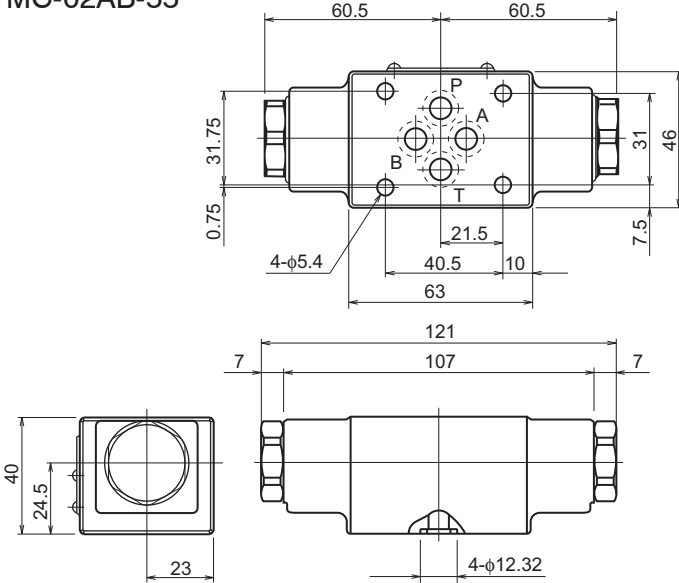
MC-02P (A) (B) (T) (PA) (PB)-65



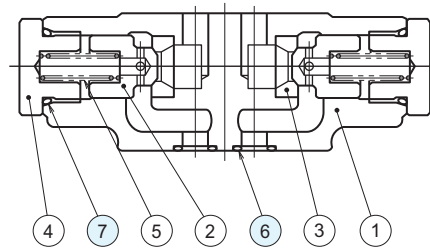
Sealing part table

Part No.	Name	Quantity	Part specifications
5	O-ring	4	AS568-012 (NBR, Hs90)
6	O-ring	1	JIS B 2401 1B P16

MC-02AB-55



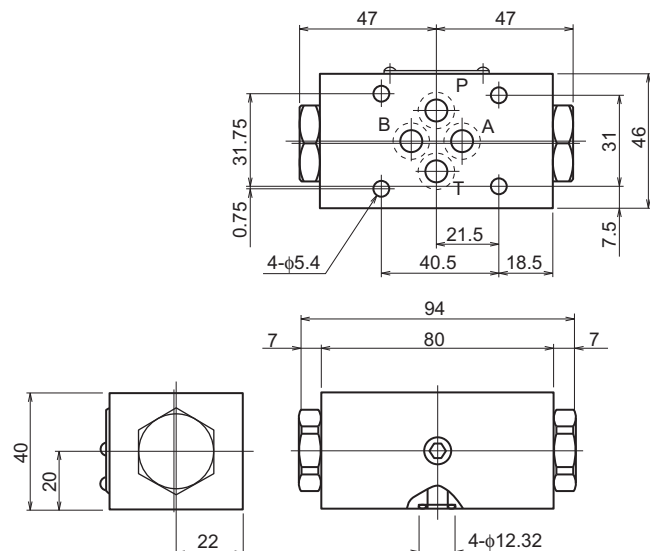
MC-02AB-55



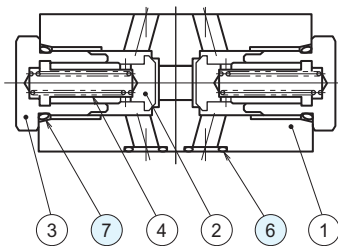
Sealing part table

Part No.	Name	Quantity	Part specifications
6	O-ring	4	AS568-012 (NBR, Hs90)
7	O-ring	2	JIS B 2401 1B P18

MC-02W-55



MC-02W-55



Sealing part table

Part No.	Name	Quantity	Part specifications
6	O-ring	4	AS568-012 (NBR, Hs90)
7	O-ring	2	JIS B 2401 1B P18