

## Contact Details

Before using the product, please check the guide pages at the front of this catalog.

Internet

<http://www.daikinpmc.com/en/>

For latest information, PDF catalogs and operation manuals

# Manually Operated Valve



## Features

- These directional control valves enable switching of the direction of fluid flow by operating the spool with the manual operation lever.
- The handle can be operated easily even at a high pressure.

## Nomenclature

※ - **DMO** **4** - ※ ※ ※※ - ※ ※

**1**      **2**      **3**      **4**      **5**      **6**      **7**      **8**

### 1 Applicable fluid code

No designation: Petroleum-based hydraulic fluid, water-glycol hydraulic fluid  
F: Phosphate ester hydraulic fluid

### 2 Model No.

DMO: D series manually operated valve

### 3 Number of directions

4: 4-way valve

### 4 Number of positions

2: 2-position valve  
3: 3-position valve

### 5 Connections

G: Gasket mount type  
T: Screw connection type

### 6 Nominal diameter

03: 3/8    06: 3/4

### 7 Spool type (See the model table)

### 8 Spool operating method (See the model table)

C: Spring center type  
B: Spring offset type  
N: No-spring type (with detent)

## Specifications

Model code	Nominal diameter	Maximum operating pressure MPa {kgf/cm <sup>2</sup> }	Maximum flow rate L/min	Permissible back pressure MPa {kgf/cm <sup>2</sup> }	Mass kg	
					Gasket mount type (G)	Screw connection type (T)
DMO4-※※03	3/8	14 {140}	25	7 {70}	7	4.2
DMO4-※※06	3/4		75		11	6.5

## Sub-plate model code

- The sub-plate is not provided with the valve. Order it separately if required by specifying the model code given in the table below.

Model code	Nominal diameter	Connection port diameter	Mass kg
DMO-03M	3/8	Rc3/8	2.2
DMO-06M	3/4	Rc3/4	3.1

Refer to Page S-9 for the dimensions of the sub-plate.

## Accessories (gasket mount type)

Hexagon socket head cap bolt	Quantity	Tightening torque N·m {kgf·cm}
M10 × 30	4	48 to 63 {480 to 630}
M12 × 35	4	85 to 110 {850 to 1100}

## 7 8: Model table

Model code	JIS graphic symbols for hydraulic system	Model code	JIS graphic symbols for hydraulic system	Model code	JIS graphic symbols for hydraulic system
DMO4-3※※※-2C		DMO4-3※※※-66C		DMO4-3※※※-5N	
DMO4-3※※※-3C		DMO4-3※※※-2N		DMO4-3※※※-66N	
DMO4-3※※※-4C		DMO4-3※※※-3N		DMO4-2※※※-2B	
DMO4-3※※※-5C		DMO4-3※※※-4N		DMO4-2※※※-3B	

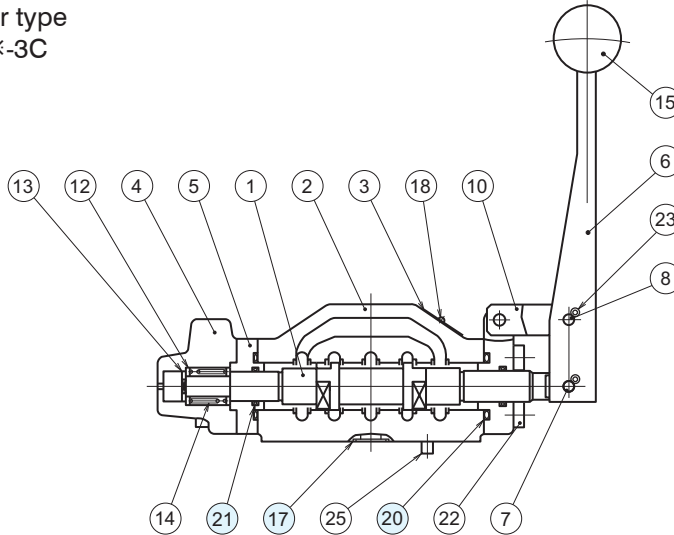
## Handling

- Tighten the piping for the screw connection type with the tightening torque given in the table to the right.

Model code	Tightening torque N·m {kgf·cm}
DMO4-×T03	70 to 80 {700 to 800}
DMO4-×T06	90 to 110 {900 to 1100}

## Sectional structural diagram

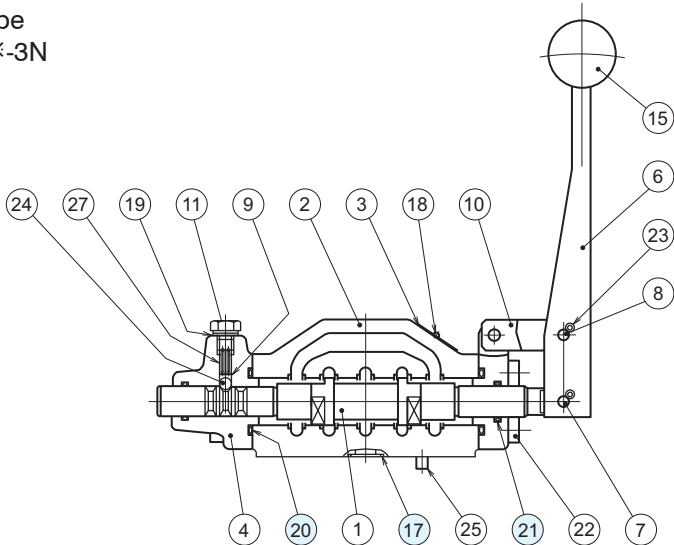
- Spring center type  
DMO4-3G××-3C



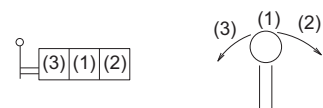
The relationship between the lever position and JIS codes is as follows.



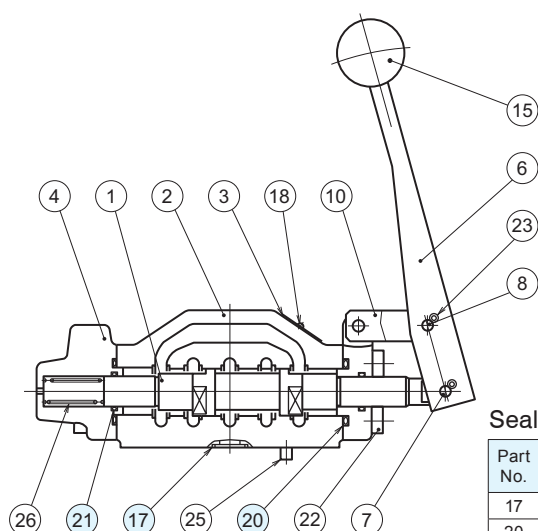
- No-spring type  
DMO4-3G××-3N



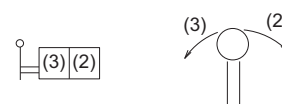
The relationship between the lever position and JIS codes is as follows.



- Spring offset type  
DMO4-2G××-3B



The relationship between the lever position and JIS codes is as follows.



Sealing part table

Part No.	Name	Quantity	Part specifications	
			DMO4-× G03	DMO4-× G06
17	O-ring	4	JIS B2401 1A P15	JIS B2401 1A 22A
20	O-ring	2	JIS B2401 1A G30	JIS B2401 1A G35
21	O-ring	2	AS568-114 (NBR, Hs70)	AS568-116 (NBR, Hs70)

# Contact Details

Before using the product, please check the guide pages at the front of this catalog.

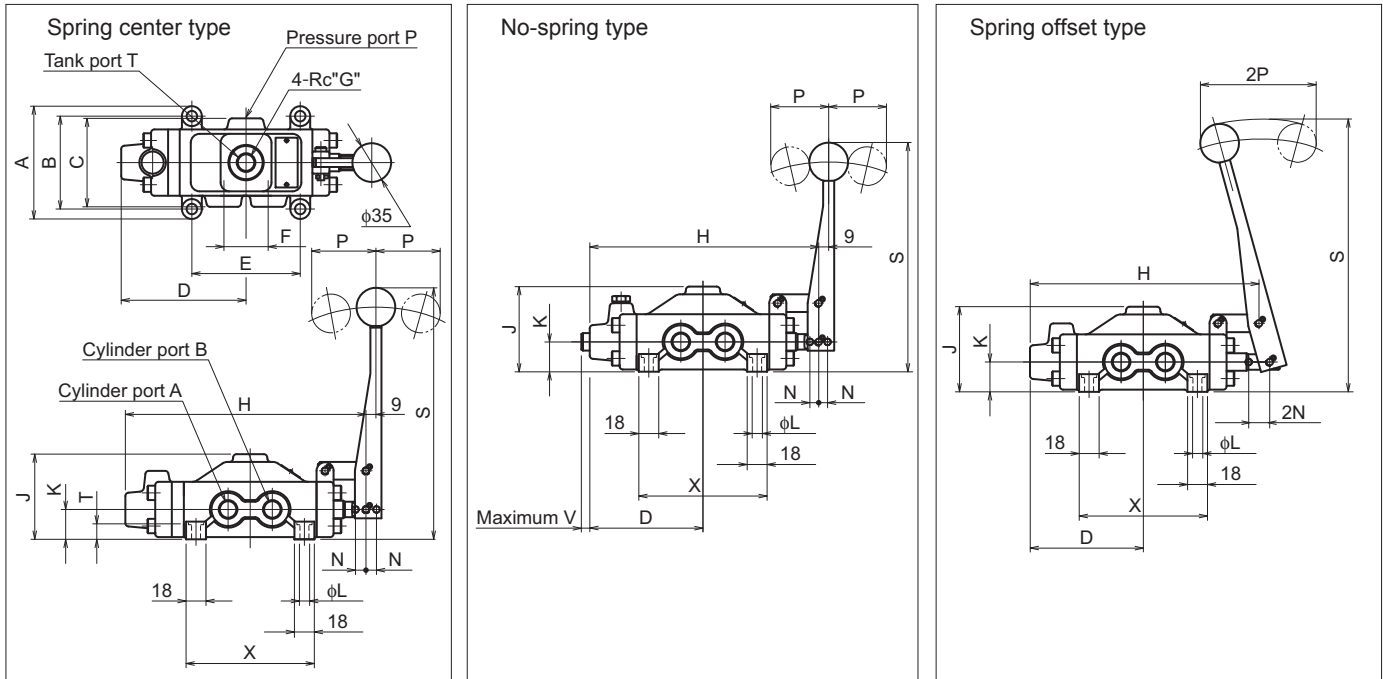
Internet

<http://www.daikinpmc.com/en/>

For latest information, PDF catalogs and operation manuals

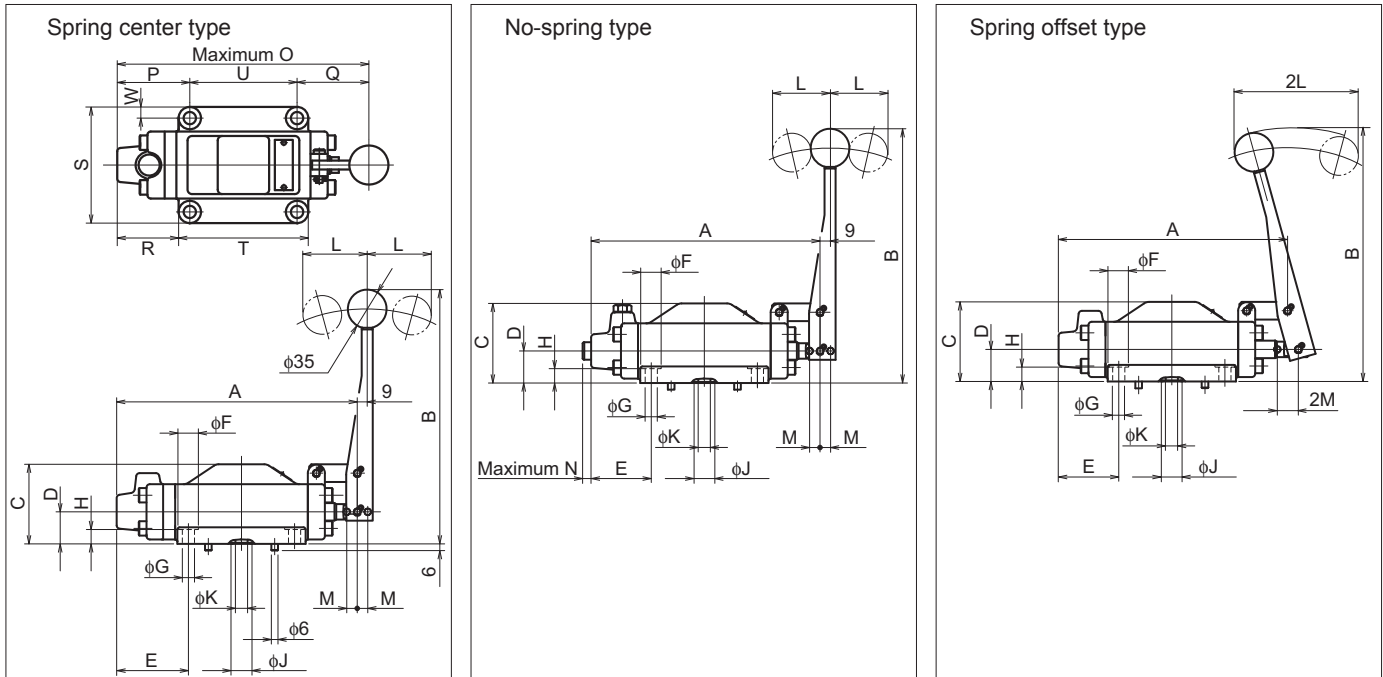
## External dimension diagram

### ● DMO4-※T03, 06 (Screw connection type)



Nominal diameter	Spool operating method	Dimensions																
		A	B	C	D	E	F	G	H	J	K	L	N	P	T	V	X	S
3/8	C				112.9				217.8				9.5	58		-		
	B	102	84	80	102.4	98	40	3/8	207.3	77	27	9.5	58	14	-	116	230	
	N				102.4				207.3				8	52		15.5		
3/4	C				134.9				263.1				10.5			-		
	B	104	86	100	124.4	118	49	3/4	252.6	89	32	9.5	59	20	-	136	252	
	N				124.0				252.2				10		23			

### ● DMO4-※G03, 06 (Gasket mount type)



Nominal diameter	Spool operating method	Dimensions																				
		A	B	C	D	E	F	G	H	J	K	L	M	N	O	P	Q	R	S	T	U	W
3/8	C	217.6				65.9							9.5	-								
	B	207.1	230	72	29	54.4	20	11	13	19	11	58	9.5	-	265.2	64.9	64.2	54.9	104	116	96	10
	N	207.1				54.4							52	8	15.6							
3/4	C	263				81							10.5	-								
	B	253	252	86	34	70.5	24	13	18	28	20	59	10.5	-	310.5	70.4	83.5	58.4	124	132	108	12
	N	252.5				70.5							55	10	23.5							