

Contact Details

Before using the product, please check the guide pages at the front of this catalog.

Internet

<http://www.daikinpmc.com/en/>

For latest information, PDF catalogs and operation manuals

Compact Single Stage Vane Pump



Features

- **Low noise**
Large suction port reduces the suction resistance and realizes low-noise operation.
- **High efficiency**
The cushion plate system keeps the side clearances constant at all times and maintains stable high efficiency without burn or wear even in the high speed range.
- **Low pulsation**
The cam ring minimizes the fluctuation of the discharge rate and achieves quiet operation sound and stable performance with little pulsation.

Nomenclature

※ - DS ※※ P - 20 - ※
1 2 3 2 4 5

1 Applicable fluid code

No designation: Petroleum-based hydraulic fluid, water-glycol hydraulic fluid
 Water/oil emulsion type hydraulic fluid
 F: Phosphate ester hydraulic fluid

2 Model No.

DS_P: Compact single stage vane pump

3 Pump capacity code

11: DS11 type
 12: DS12 type
 13: DS13 type
 14: DS14 type

4 Design No.

(The design No. is subject to change)

5 Direction of rotation, when viewed from the shaft end

No designation: Clockwise (rightward)

L: Counterclockwise (leftward)

* The direction of rotation (rightward or leftward) cannot be changed.

Specifications

Model No.	[Conditions] Input rotational speed: 1800 min ⁻¹ , Fluid used: equivalent to ISO VG32, Fluid temperature: 40°C									
	Discharge rate L/min				Shaft input kW					
	0.4 MPa {4 kgf/cm ² }	3 MPa {30 kgf/cm ² }	5 MPa {50 kgf/cm ² }	7 MPa {70 kgf/cm ² }	0.4 MPa {4 kgf/cm ² }	1 MPa {10 kgf/cm ² }	3 MPa {30 kgf/cm ² }	5 MPa {50 kgf/cm ² }	7 MPa {70 kgf/cm ² }	
DS 11P	5.0	4.5	4.1	3.9	0.15	0.28	0.55	0.82	1.1	
DS 12P	7.7	7.2	6.7	6.5	0.20	0.40	0.75	1.12	1.5	
DS 13P	12.6	11.8	11.5	11.0	0.25	0.50	1.05	1.55	2.1	
DS 14P	22.1	21.2	20.5	20.0	0.35	0.77	1.65	2.50	3.4	

Refer to Page D-13 for the conditions of use for models compatible with flame-resistant hydraulic oil and to Page D-14 to 15 for other notes on handling.

Mass (kg)

Pump model	Flange mount type	Foot support mount type
DS1×P	3	4.4

Foot support model codes

- Foot supports are not provided with the pump. Order them separately as required by specifying the model code given in the table below.

Pump model	Foot support model codes
DS1×P	DS-10M

Refer to Page S-3 for the dimensions of the foot supports.

Contact Details

Before using the product, please check the guide pages at the front of this catalog.

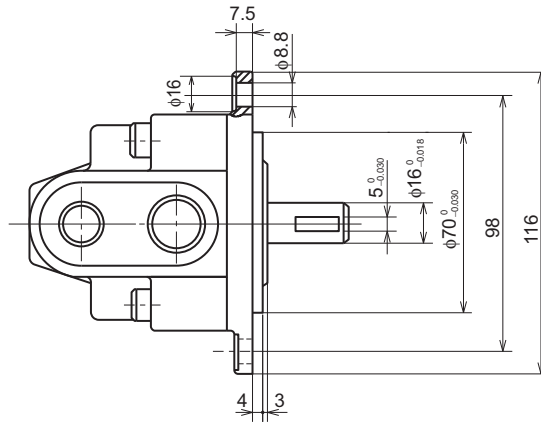
Internet

<http://www.daikinpmc.com/en/>

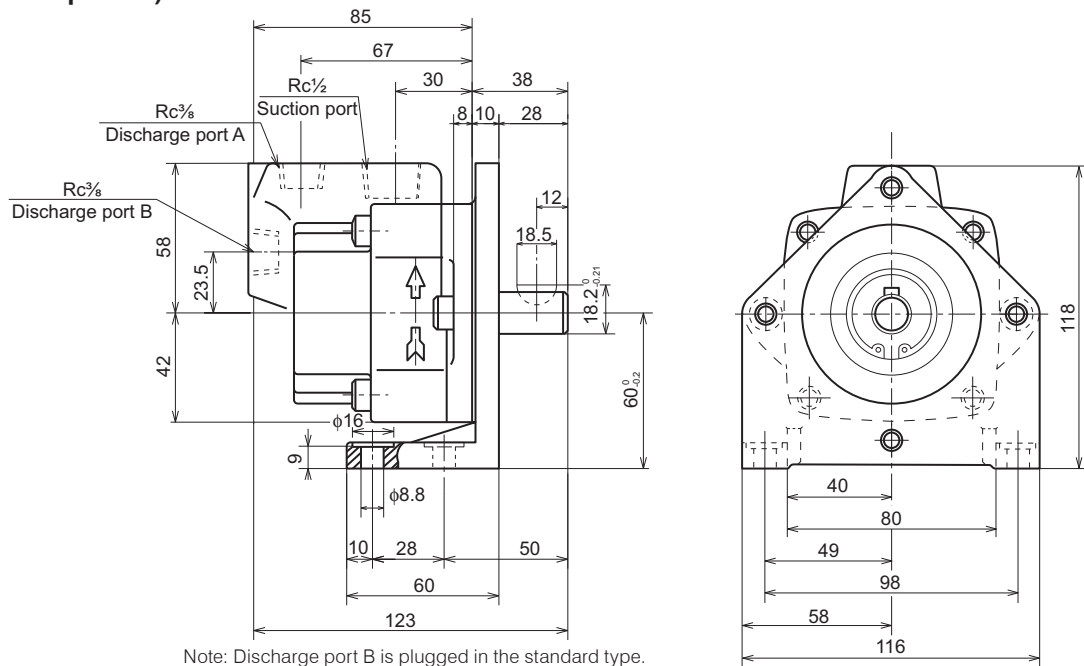
For latest information, PDF catalogs and operation manuals

External dimension diagram

Flange mount type

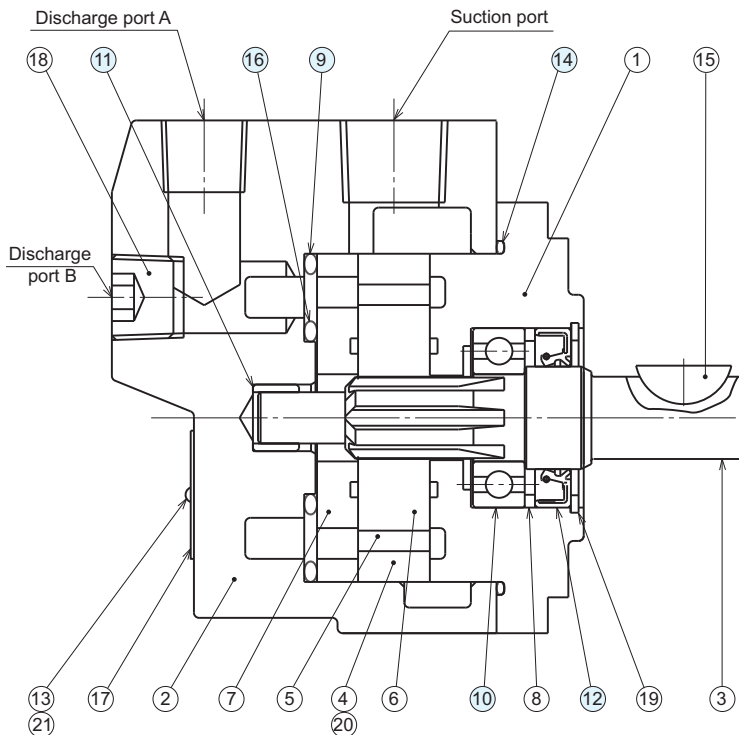


Foot support mount type (the foot support optional)



Note: Discharge port B is plugged in the standard type.

Sectional structural diagram



DS10P Seal/bearing table

Part No.	Name	Specifications	Material	Quantity
9	O-ring	JIS B 2401 1B-G60	NBR	1
10	Ball bearing	6003		1
11	Journal bearing	HP5235 (special part)		1
12	Oil seal	TC20357	NBR	1
14	O-ring	KN1AS065 (special part)	NBR	1
16	O-ring	JIS B 2401 1B-G30	NBR	1