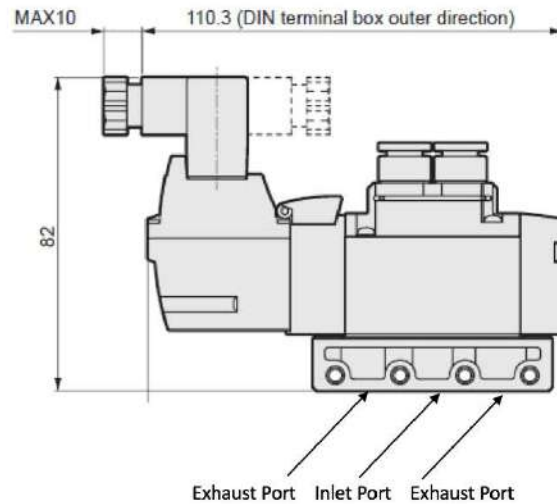
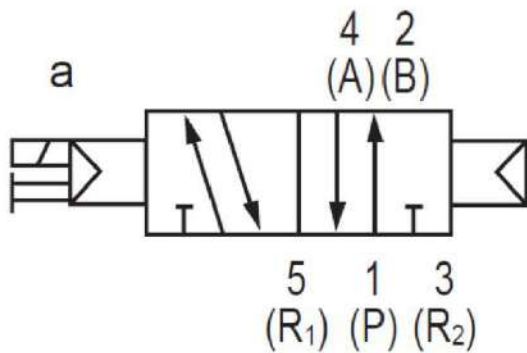


# CKD

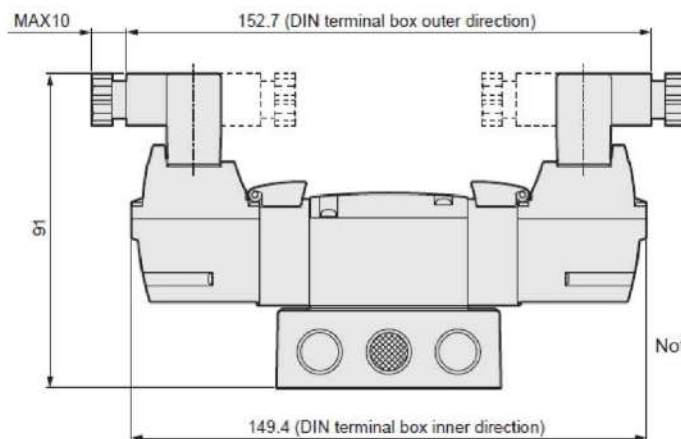
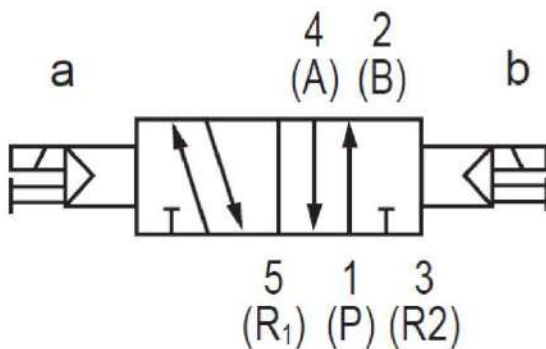
## VALVE SELECTION OPTIONS

### 2-position single solenoid valve



Shown: CKD 4GA210R single solenoid valve with DIN connector and quick-connect cylinder ports coming from the valve body.

### 2-position double solenoid valve



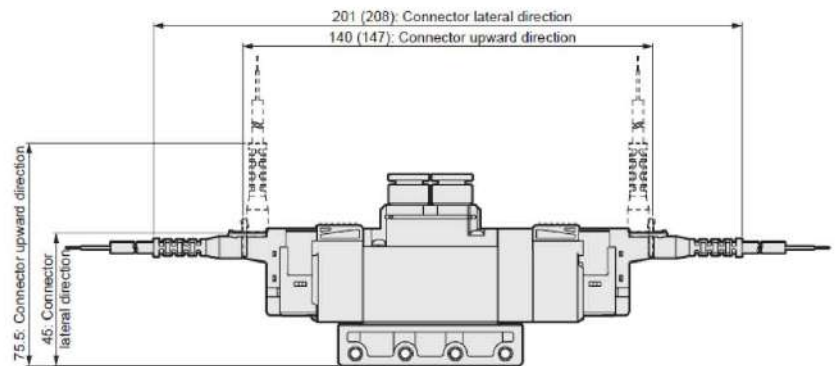
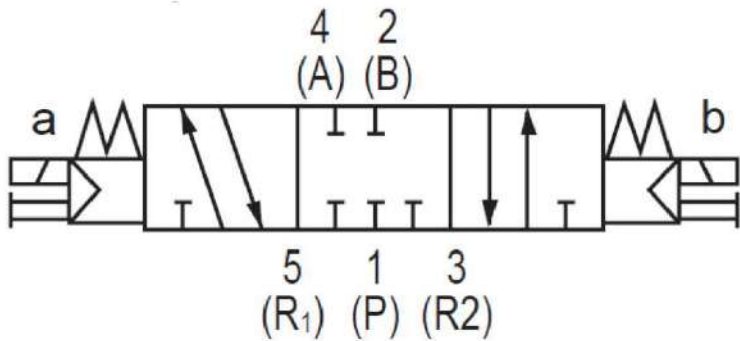
Note The DIN terminal box assembly is shipped facing inward.

Shown: CKD 4GB220R double solenoid valve with DIN connectors for both solenoids. All ports are on valve sub-base. Shown: Threaded inlet pressure port and 2 exhaust ports.

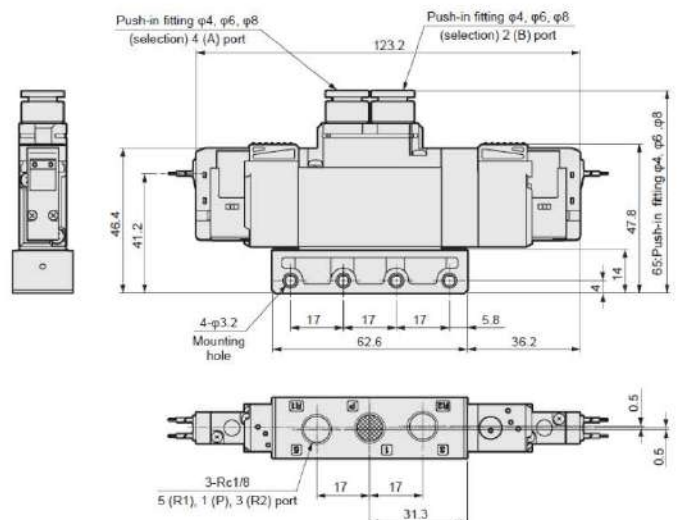
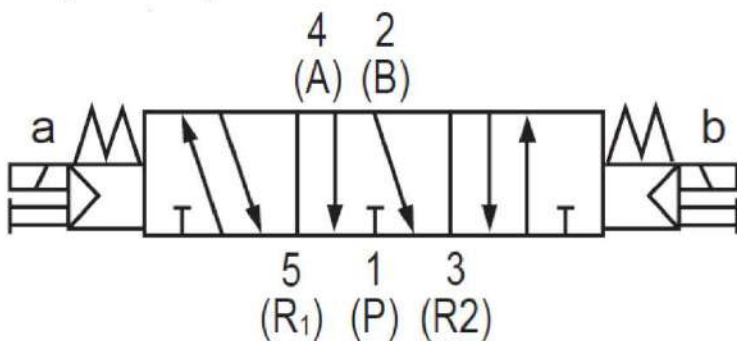
# CKD

## VALVE SELECTION OPTIONS

3-position double solenoid valve with all ports closed



3-position double solenoid valve with cylinder ports connected to exhaust

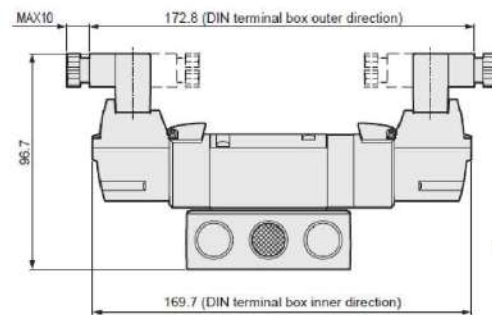
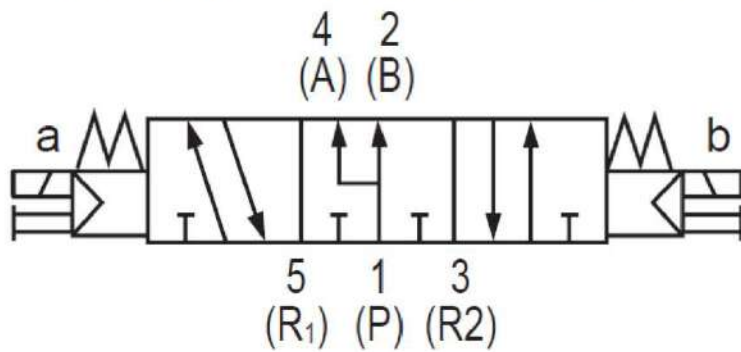


Shown: CKD 4GA24R double solenoid 3-position valve with 'grommet' wiring where flying leads are hard-wired to solenoids.

# CKD

## VALVE SELECTION OPTIONS

3-position double solenoid valve  
with cylinder ports pressurized



Note: The DIN terminal box assembly is shipped facing inward.

Shown: CKD 4G2B25R double solenoid 3-position valve with DIN connectors.