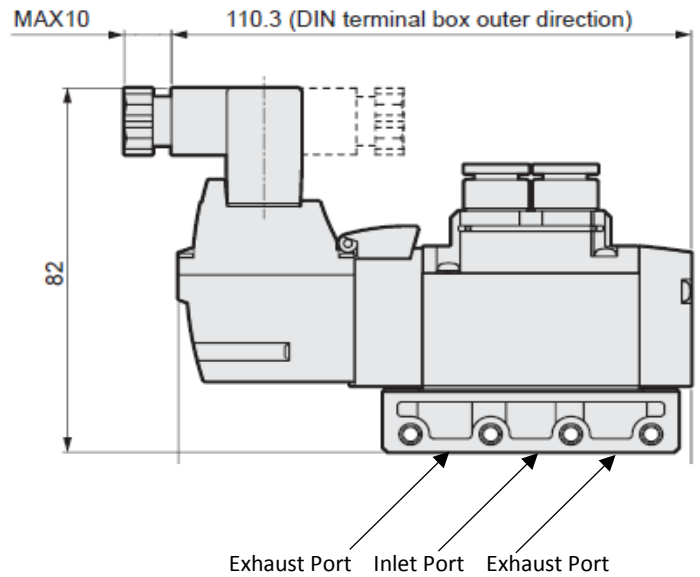
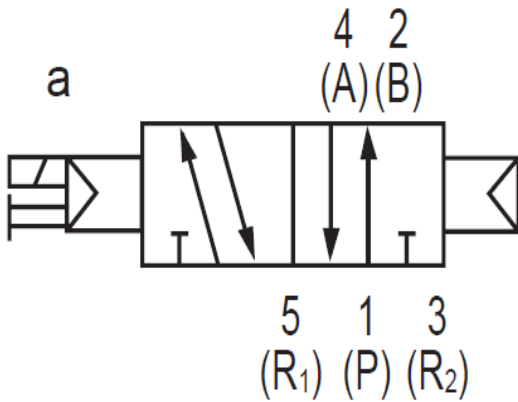


CKD

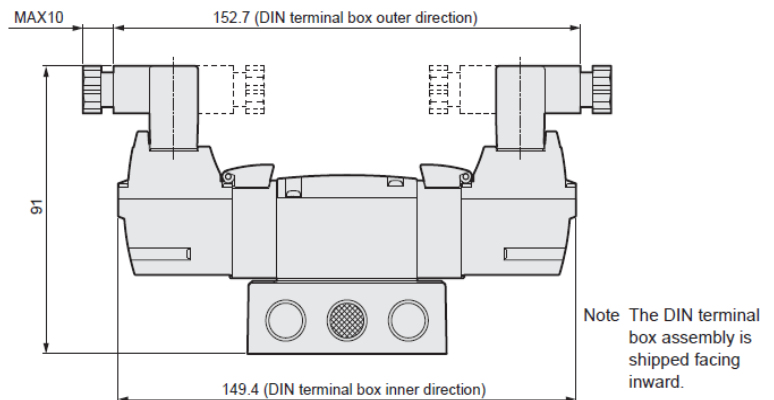
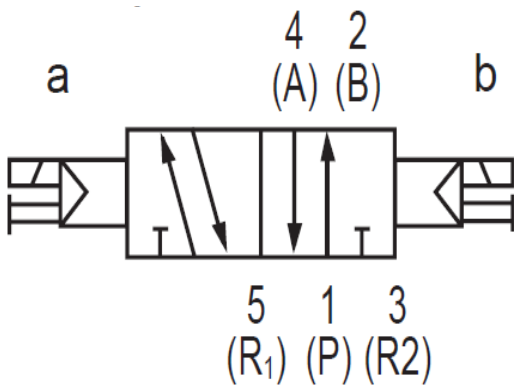
Valve Selection Guide

2-position single solenoid valve



Shown: CKD 4GA210R single solenoid valve with DIN connector and quick-connect cylinder ports coming from the valve body.

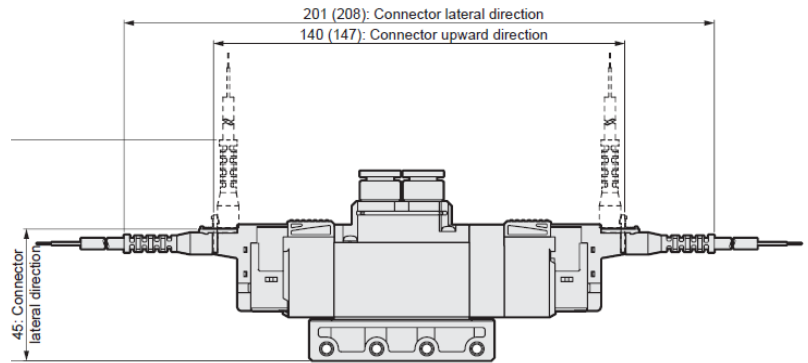
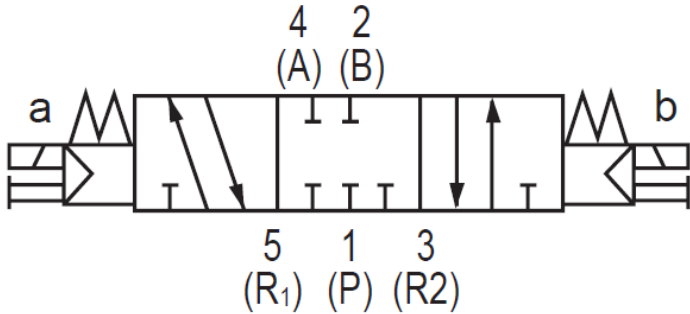
2-position double solenoid valve



Shown: KD 4GB220R double solenoid valve with DIN connectors for both solenoids. It ports are on valve sub-base. Threaded inlet pressure port (with standard filter screen) and 2 exhaust ports shown.

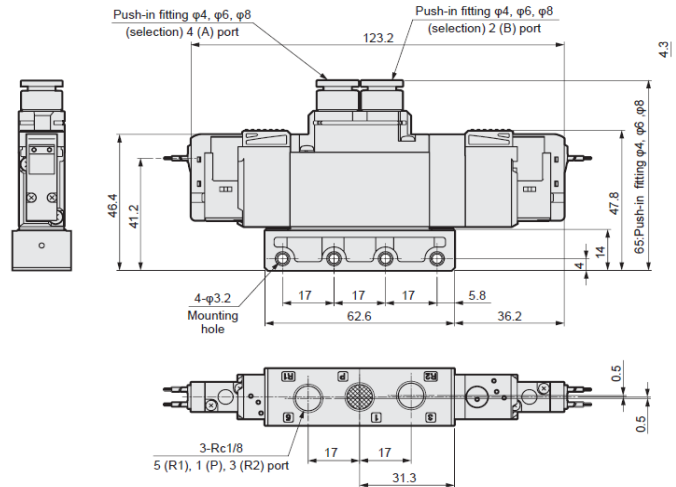
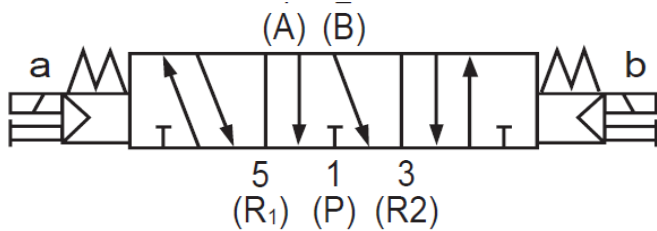
CKD

3-position double solenoid valve with all ports closed



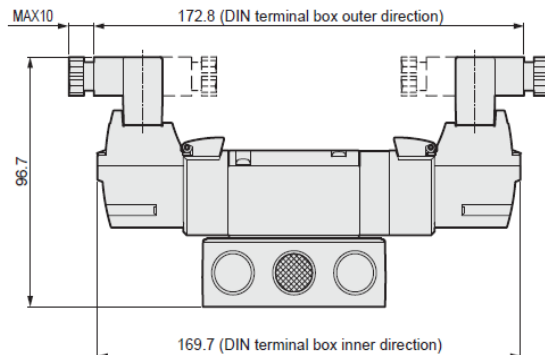
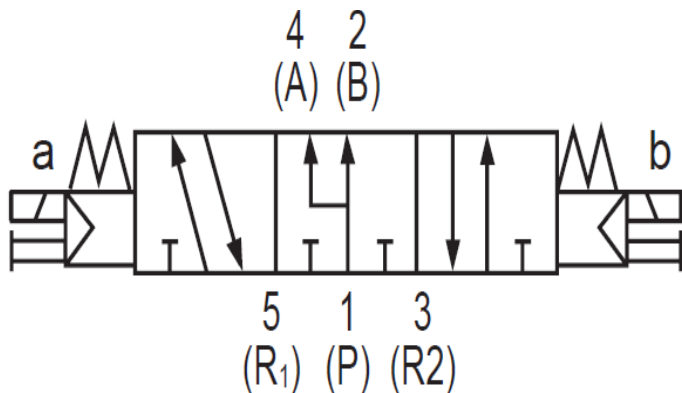
Shown: CKD 4GA23R double solenoid 3-position valve Molex® type connectors with shielding and strain relief for both solenoid

3-position double solenoid valve with cylinder ports connected to exhaust



Shown: CKD 4GA24R double solenoid 3-position valve with 'grommet' wiring where flying leads are hard-wired to solenoids.

3-position double solenoid valve with cylinder ports pressurized



Note: The DIN terminal box assembly is shipped facing inward.

Shown: CKD 4G2B25R double solenoid 3-position valve with DIN connectors.